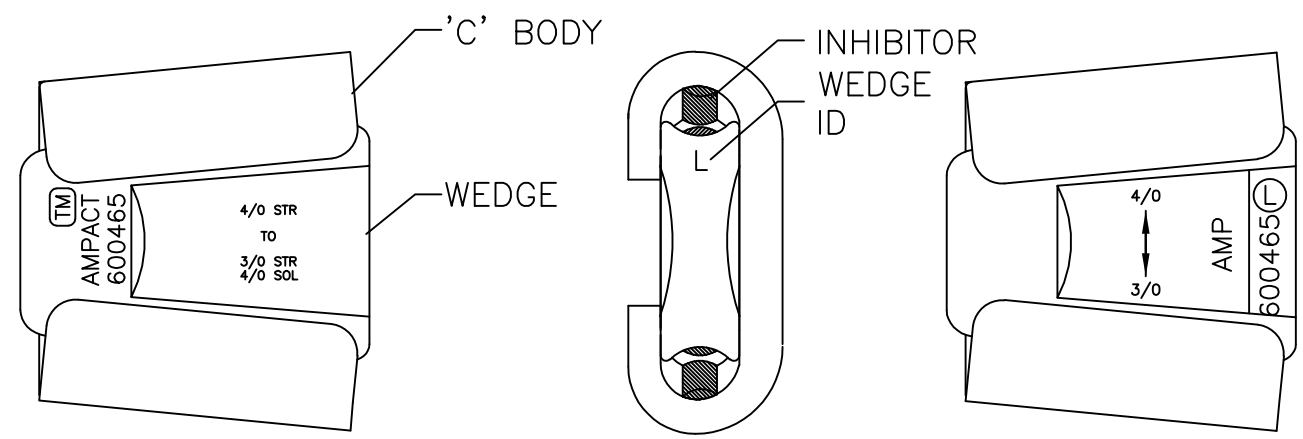
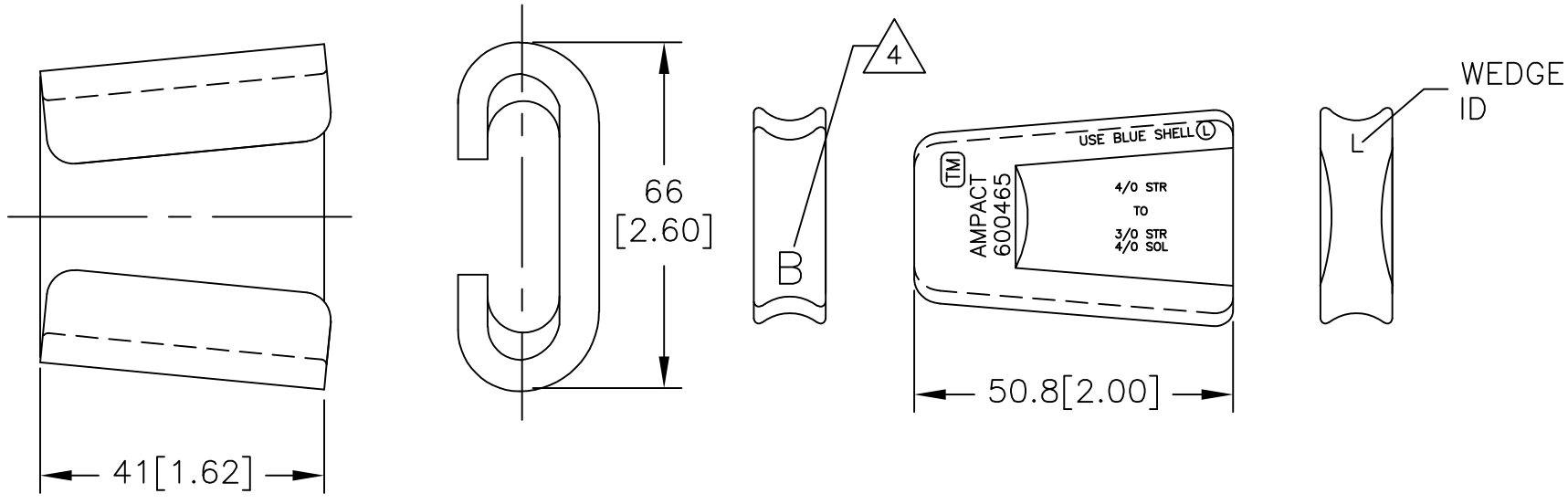


THIS DRAWING IS UNPUBLISHED. RELEASED FOR PUBLICATION
 © COPYRIGHT - BY TYCO ELECTRONICS CORPORATION. ALL RIGHTS RESERVED.

LOC	DIST	REVISIONS					
GA	1	P	LTR	DESCRIPTION	DATE	DWN	APVD
			C	PER LC20-0248-07 / ECO-07-023130	24OCT07	DM	BJ

1. DIMENSIONS ARE FOR REFERENCE ONLY.
 2. INHIBITOR IS APPLIED AT FACTORY TO GROOVES OF 'C' BODY AND WEDGE.
 3. FOR CONNECTOR P/N 600465, WIRE SIZES ARE MARKED ON WEDGE. USE BLUE CARTRIDGE P/N 69338-1 AND INSTALL 600465 WITH AMP TOOL P/N 69437.
- △ 4 FOR CONNECTOR P/N 600465-1, WEDGE IS MARKED WITH LETTER "B" ON FRONT FACE. NO WIRE SIZE, WEDGE ID & P/N ARE SHOWN ON THE WEDGE. 600465-1 IS INSTALLED WITH BATTERY TOOL ONLY.



ALTERNATE MARKING ON WEDGE

ALUM. ALLOY	ALUM. ALLOY	600465-1
ALUM. ALLOY	ALUM. ALLOY	600465
WEDGE QTY: 1	'C' BODY QTY: 1	PART NO.

THIS DRAWING IS A CONTROLLED DOCUMENT.		DWN	M. SAYMAN	26 JUN 97	Tyco Electronics Corporation Markham, ON L3R-1E1		
DIMENSIONS: MM [INCHES]		CHK	G. MENCHELLA	30 JUN 97	NAME		
TOLERANCES UNLESS OTHERWISE SPECIFIED:		APVD	P. CHAN	30 JUN 97	PRODUCT SPEC		
0 PLC ±		APPLICATION SPEC		NAME			
1 PLC ±		—		CONNECTOR, 4/0-3/0, MEDIUM SERIES, BLUE CODED, AMPACT			
2 PLC ±		—		SIZE	CAGE CODE	DRAWING NO	RESTRICTED TO
3 PLC ±		—		A3	00779	C-600465	—
4 PLC ±		—		CUSTOMER DRAWING			
ANGLES ±		—		SCALE	SHEET	1 OF 1	REV
FINISH		—		NTS			C
MATERIAL		SEE TABLE					