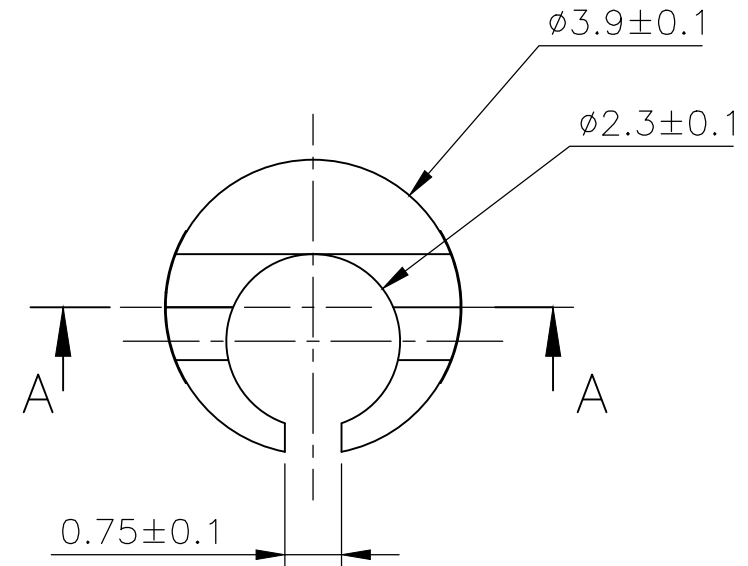
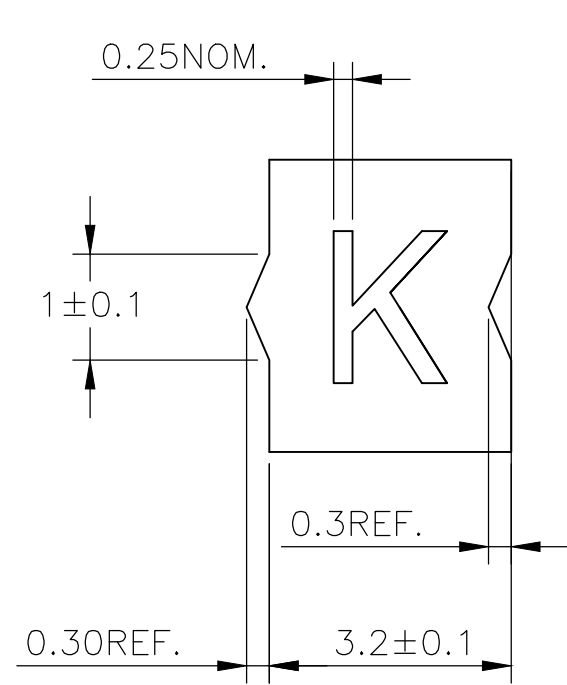
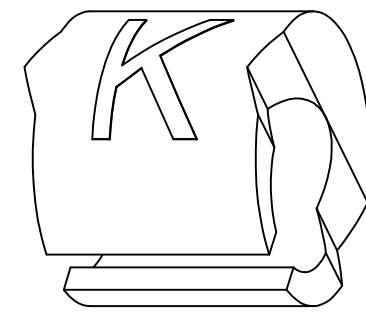
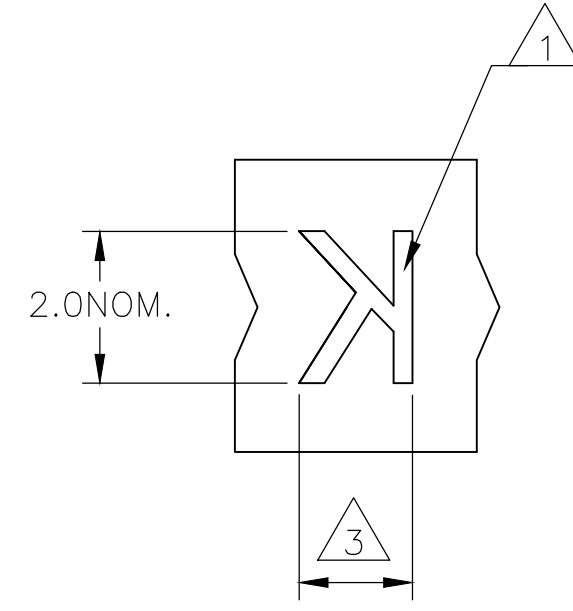
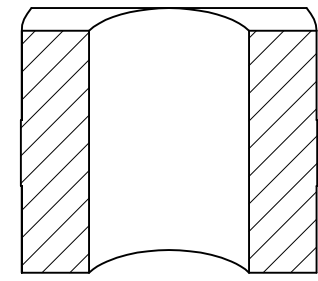


P	LTR	DESCRIPTION	DATE	DWN	APVD
	4	REVISED PER ECR-20-010947	04AUG2020	GK	AK



A-A

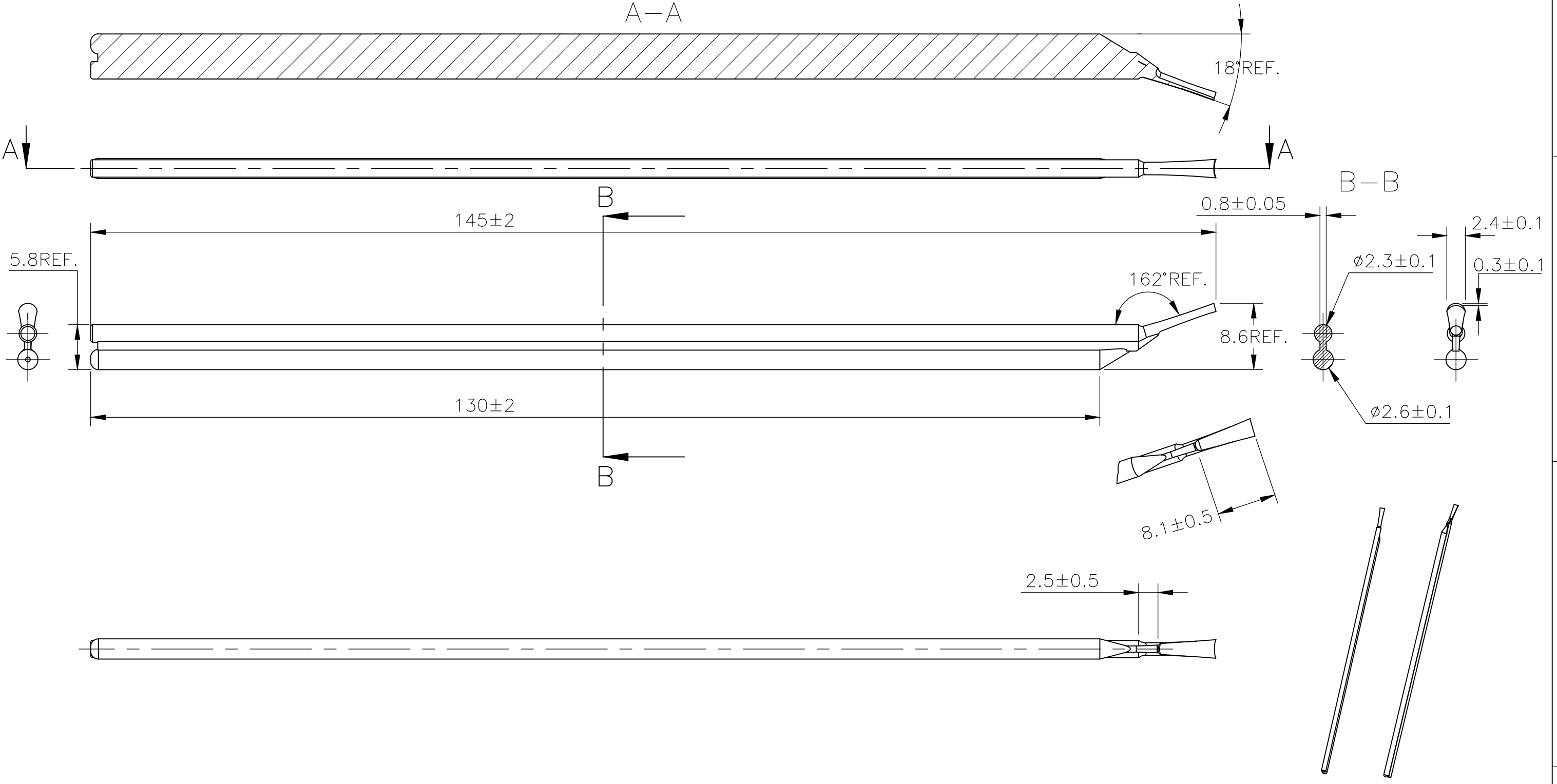



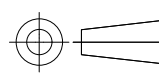
NOTES:

- 1 FOR PART NUMBERS SEE SHEET 3 OF 3.
- 2 MARK SHOULD BE CENTRALLY POSITIONED ±0.1 mm
- 3 WIDTH OF MARK DEPENDS ON CHARACTER PRINTED

THIS DRAWING IS A CONTROLLED DOCUMENT.		DWN RAGHAVENDRA K 23MAR2013	TE Connectivity		
		CHK KEAN ALAN 23MAR2013			
		APVD MARIO APPELLO 23MAR2013	NAME SNAP-ON MARKER STB/STD SIZE 05 WITH APPLICATOR		
DIMENSIONS: mm		TOLERANCES UNLESS OTHERWISE SPECIFIED:		PRODUCT SPEC	
		0 PLC	± -	APPLICATION SPEC	
		1 PLC	± -	-	
		2 PLC	± -	-	
		3 PLC	± -	-	
MATERIAL		FINISH		SIZE	CAGE CODE
-		-		A3	C2290
				DRAWING NO	
				G-6-1768043-2	
				RESTRICTED TO	
				-	
CUSTOMER DRAWING			SCALE	SHEET	REV
			NTS	1 OF 3	4

REVISIONS					
P	LTR	DESCRIPTION	DATE	DWN	APVD
-	-	SEE SHEET 1	-	-	-



THIS DRAWING IS A CONTROLLED DOCUMENT.		DWN RAGHAVENDRA K 23MAR2013	 TE Connectivity				
DIMENSIONS: mm		CHK KEAN ALAN 23MAR2013					
TOLERANCES UNLESS OTHERWISE SPECIFIED: 0 PLC ± - 1 PLC ± - 2 PLC ± - 3 PLC ± - 4 PLC ± - ANGLES ± -		APVD MARIO APPELLO 23MAR2013	NAME SNAP-ON MARKER STB/STD SIZE 05 WITH APPLICATOR				
		PRODUCT SPEC -	APPLICATION SPEC -				
MATERIAL -		FINISH -	WEIGHT -	SIZE A3	CAGE CODE C2290	DRAWING NO G-6-1768043-2	RESTRICTED TO -
CUSTOMER DRAWING				SCALE NTS	SHEET 2 OF 3	REV 4	

REVISIONS

P	LTR	DESCRIPTION	DATE	DWN	APVD
	-	SEE SHEET 1	-	-	-

DESCRIPTION	PART NO.
STB05-1-1	1-1768038-8
STB05-2-2	1-1768038-9
STB05-5-5	2-1768038-1
STB05-6-6	2-1768038-2
STB05-BLANK-1	2-1768038-6
STB05-BLANK-5	2-1768038-9
STB05-BLANK-6	3-1768038-0
STD05W-0	7-1768042-3
STD05W-1	7-1768042-4
STD05W-2	7-1768042-5
STD05W-3	7-1768042-6
STD05W-4	7-1768042-7
STD05W-5	7-1768042-8
STD05W-6	7-1768042-9
STD05W-7	8-1768042-0
STD05W-8	8-1768042-1
STD05W-9	8-1768042-2
STD05W-A	8-1768042-3
STD05W-A-LC	8-1768042-5
STD05W-B	8-1768042-6
STD05W-BLANK	8-1768042-7
STD05W-B-LC	8-1768042-8
STD05W-C	8-1768042-9
STD05W-COLON	9-1768042-0
STD05W-D	9-1768042-1
STD05W-D-LC	9-1768042-2
STD05W-DOT	9-1768042-3
STD05W-E	9-1768042-4
STD05W-EARTH	9-1768042-5
STD05W-E-LC	9-1768042-6
STD05W-F	9-1768042-7
STD05W-F-LC	9-1768042-8
STD05W-G	9-1768042-9

DESCRIPTION	PART NO.
STD05W-G-LC	1768043-1
STD05W-H	1768043-2
STD05W-H-LC	1768043-3
STD05W-I	1768043-4
STD05W-J	1768043-5
STD05W-K	1768043-6
STD05W-K-LC	1768043-7
STD05W-L	1768043-8
STD05W-L-LC	1768043-9
STD05W-M	1-1768043-0
STD05W-MINUS	1-1768043-1
STD05W-N	1-1768043-3
STD05W-P	1-1768043-5
STD05W-PLUS	1-1768043-6
STD05W-Q	1-1768043-7
STD05W-R	1-1768043-8
STD05W-S	2-1768043-0
STD05W-SLASH	2-1768043-1
STD05W-T	2-1768043-2
STD05W-U	2-1768043-3
STD05W-V	2-1768043-5
STD05W-W	2-1768043-6
STD05W-X	2-1768043-7
STD05W-Y	2-1768043-8
STD05W-Z	2-1768043-9
STD05Y-0	3-1768043-0
STD05Y-1	3-1768043-1
STD05Y-2	3-1768043-2

DESCRIPTION	PART NO.
STD05Y-3	3-1768043-3
STD05Y-4	3-1768043-4
STD05Y-5	3-1768043-5
STD05Y-6	3-1768043-6
STD05Y-7	3-1768043-7
STD05Y-8	3-1768043-8
STD05Y-9	3-1768043-9
STD05Y-A	4-1768043-0
STD05Y-B	4-1768043-3
STD05Y-BLANK	4-1768043-4
STD05Y-C	4-1768043-6
STD05Y-D	4-1768043-8
STD05Y-DOT	5-1768043-0
STD05Y-E	5-1768043-1
STD05Y-EARTH	5-1768043-2
STD05Y-F	5-1768043-4
STD05Y-G	5-1768043-6
STD05Y-H	5-1768043-8
STD05Y-I	6-1768043-0
STD05Y-J	6-1768043-1
STD05Y-K	6-1768043-2
STD05Y-L	6-1768043-4
STD05Y-M	6-1768043-6
STD05Y-MINUS	6-1768043-7
STD05Y-N	6-1768043-9

DESCRIPTION	PART NO.
STD05Y-P	7-1768043-1
STD05Y-PLUS	7-1768043-2
STD05Y-Q	7-1768043-3
STD05Y-R	7-1768043-4
STD05Y-S	7-1768043-6
STD05Y-SLASH	7-1768043-7
STD05Y-T	7-1768043-8
STD05Y-U	7-1768043-9
STD05Y-V	8-1768043-0
STD05Y-W	8-1768043-1
STD05Y-X	8-1768043-2
STD05Y-Y	8-1768043-3
STD05Y-Z	8-1768043-4
STB05-0-0	1-1768038-7
STB05-3-3	2-1768038-0
STB05-7-7	2-1768038-3
STB05-8-8	2-1768038-4
STB05-BLANK-2	2-1768038-7
STD05Y-COLON	4-1768043-7



OBSOLETE PART

THIS DRAWING IS A CONTROLLED DOCUMENT.		DWN RAGHAVENDRA K 23MAR2013	STE TE Connectivity	
		CHK KEAN ALAN 23MAR2013		
		APVD MARIO APPELLO 23MAR2013	NAME SNAP-ON MARKER STB/STD SIZE 05 WITH APPLICATOR	
DIMENSIONS: mm		TOLERANCES UNLESS OTHERWISE SPECIFIED:		
		0 PLC	± -	
		1 PLC	± -	
MATERIAL		2 PLC	± -	
		3 PLC	± -	
		4 PLC	± -	
		ANGLES	± -	
		FINISH		
		WEIGHT	-	
		CUSTOMER DRAWING		
		SIZE	CAGE CODE	DRAWING NO
		A3	C2290	G-6-1768043-2
		RESTRICTED TO		
		SCALE	SHEET	REV
		NTS	3 OF 3	4