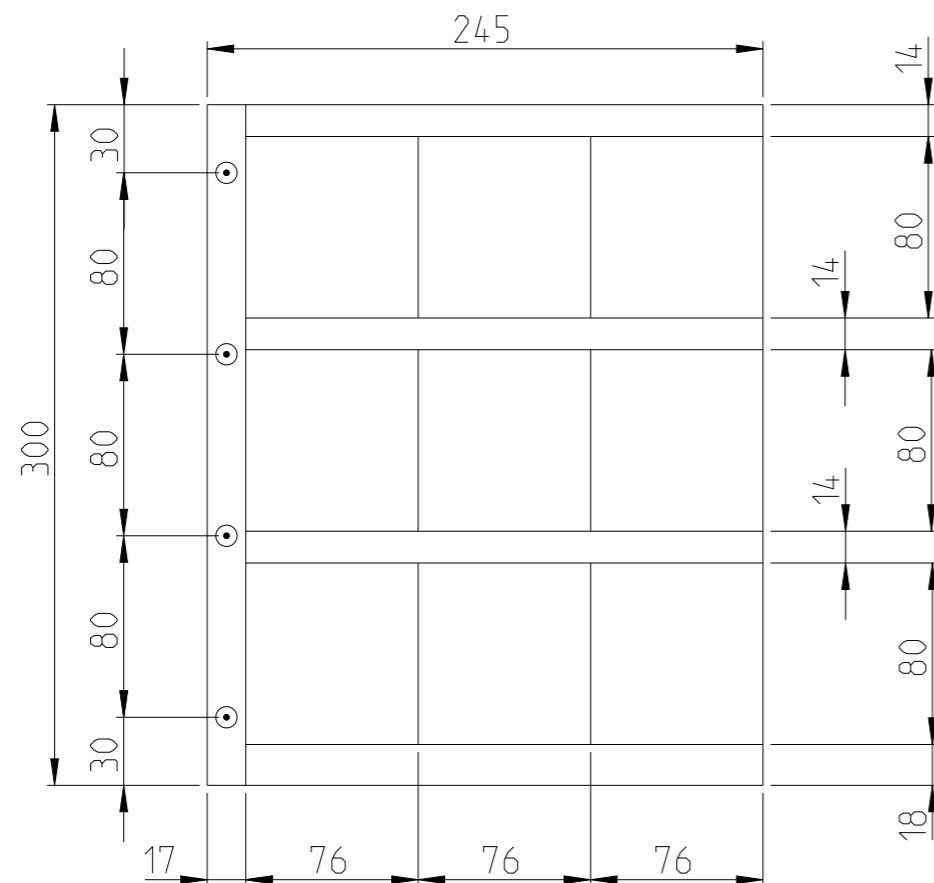


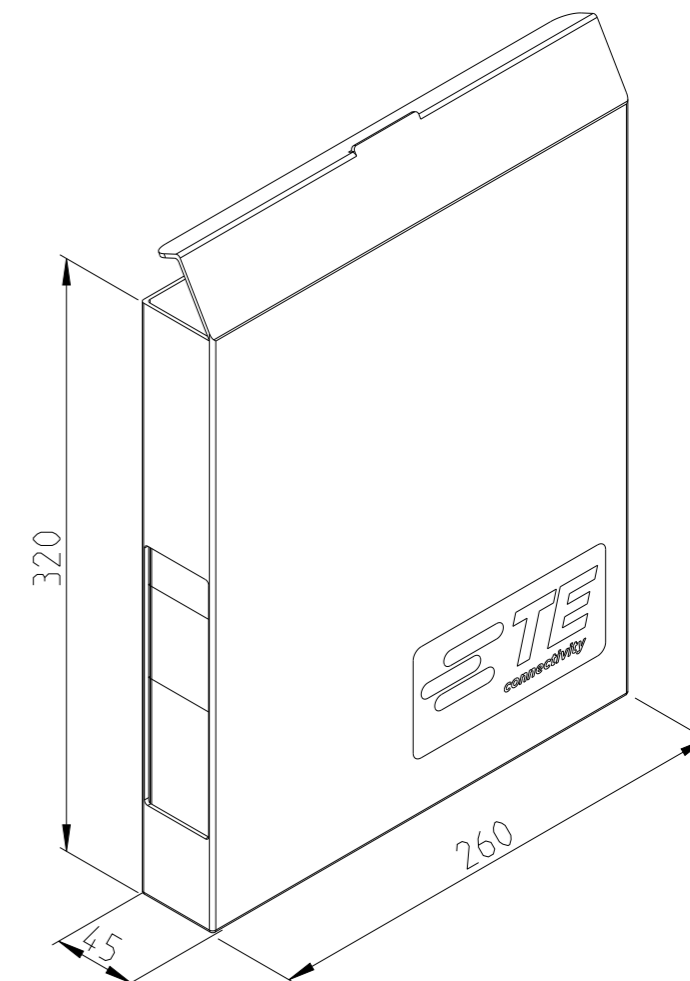
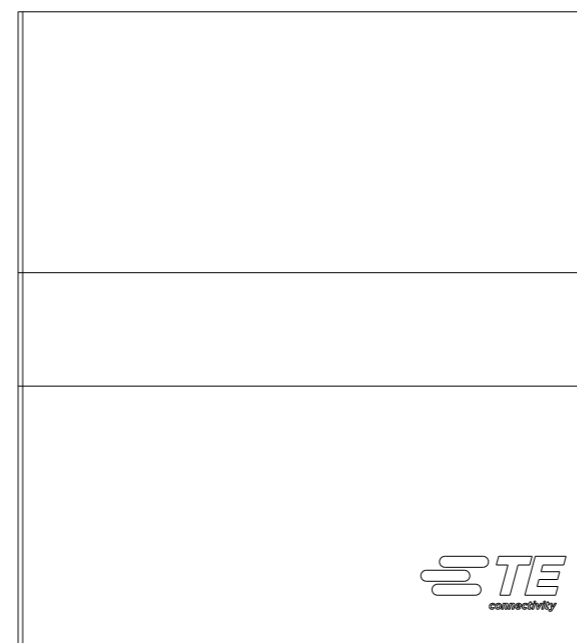
REVISIONS

P	LTR	DESCRIPTION	DATE	DWN	APVD
	BA	INITIAL DRAWING RELEASE	02NOV2023	DM	AP

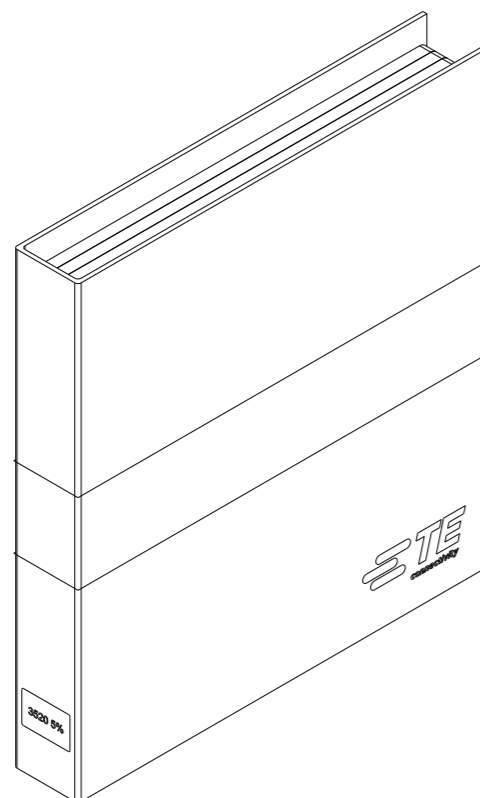
PAGE INSERT DIMENSIONS



FOLDER DIMENSIONS



ALL DIMENSIONS NOMINAL



THIS DRAWING IS A CONTROLLED DOCUMENT.		DWN DHEERAJ M	02NOV2023		
		CHK TRACY G	02NOV2023		
		APVD ALLAN P	02NOV2023		
		PRODUCT SPEC			
		APPLICATION SPEC		NAME SMD HIGH POWER RESISTOR TYPE 3520 SERIES LAB KIT	
DIMENSIONS: mm		TOLERANCES UNLESS OTHERWISE SPECIFIED:		SIZE	RESTRICTED TO
		0 PLC	±	A3	-
		1 PLC	±	CAGE CODE	
		2 PLC	±	DRAWING NO	
		3 PLC	±	SCALE	
		4 PLC	±	SHEET	
		ANGLES	±	1 OF 3	
MATERIAL		FINISH		REV	
-		-		BA	
-		-			

4

3

2

1

© 2023 TE Connectivity. All Rights Reserved.

REVISIONS

P	LTR	DESCRIPTION	DATE	DWN	APVD
-		SEE SHEET 1	-	-	-

FOR FURTHER INFORMATION SEE DATA SHEET FOR
3520 SERIES-SMD POWER RESISTORS

4 LAYERS PCB SPECIFICATION:

1) OUTSIDE 2 LAYERS (TOP AND BOTTOM) WITH COPPER FOIL THICKNESS AT 2 OZ.
2) INSIDE 2 LAYERS (MIDDLE LAYERS) WITH COPPER FOIL THICKNESS AT 4 OZ.

A	B	C
3.7	2.45	2.7

RoHS Compliant

THIS DRAWING IS A CONTROLLED DOCUMENT.

DWN DHEERAJ M 02NOV2023

CHK TRACY G 02NOV2023

APVD ALLAN P 02NOV2023

PRODUCT SPEC

APPLICATION SPEC

WEIGHT

CUSTOMER DRAWING

NAME
SMD HIGH POWER RESISTOR
TYPE 3520 SERIES LAB KIT

SIZE CAGE CODE DRAWING NO RESTRICTED TO

A3 00779 C-6-1622820-7

SCALE 1:1 SHEET 2 OF 3 REV BA

DIMENSIONS:

mm

TOLERANCES UNLESS
OTHERWISE SPECIFIED:

0 PLC	±
1 PLC	±
2 PLC	±
3 PLC	±
4 PLC	±
ANGLES	±

MATERIAL

FINISH

TE Connectivity


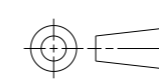
1470-19 (3/13)

REVISIONS

P	LTR	DESCRIPTION	DATE	DWN	APVD
	-	SEE SHEET 1	-	-	-

TCPN	CATALOGUE NUMBER	PART DESCRIPTION	QTY / KIT
9-1622820-7	35201R1JT	3520 1R1 5%	50
1-1622820-9	35201R2JT	3520 1R2 5%	50
2-1622820-0	35201R5JT	3520 1R5 5%	50
2-1622820-1	35201R8JT	3520 1R8 5%	50
3-1622820-4	35202R2JT	3520 2R2 5%	50
3-1622820-5	35202R7JT	3520 2R7 5%	50
4-1622820-5	35203R3JT	3520 3R3 5%	50
4-1622820-6	35203R9JT	3520 3R9 5%	50
5-1622820-2	35204R7JT	3520 4R7 5%	50
5-1622820-5	35205R6JT	3520 5R6 5%	50
6-1622820-1	35206R8JT	3520 6R8 5%	50
6-1622820-6	35208R2JT	3520 8R2 5%	50
1622820-4	352010RJT	3520 10R 5%	50
1622820-6	352012RJT	3520 12R 5%	50
1-1622820-0	352015RJT	3520 15R 5%	50
1-1622820-3	352018RJT	3520 18R 5%	50
2-1622820-7	352022RJT	3520 22R 5%	50
2-1622820-9	352027RJT	3520 27R 5%	50
4-1622820-0	352033RJT	3520 33R 5%	50
4-1622820-3	352039RJT	3520 39R 5%	50
5-1622820-0	352047RJT	3520 47R 5%	50
5-1622820-4	352056RJT	3520 56R 5%	50
5-1622820-9	352068RJT	3520 68R 5%	50
6-1622820-4	352082RJT	3520 82R 5%	50
1622820-2	3520100RJT	3520 100R 5%	50
1622820-5	3520120RJT	3520 120R 5%	50

TCPN	CATALOGUE NUMBER	PART DESCRIPTION	QTY / KIT
1622820-8	3520150RJT	3520 150R 5%	50
1-1622820-2	3520180RJT	3520 180R 5%	50
2-1622820-5	3520220RJT	3520 220R 5%	50
2-1622820-8	3520270RJT	3520 270R 5%	50
3-1622820-8	3520330RJT	3520 330R 5%	50
4-1622820-1	3520390RJT	3520 390R 5%	50
4-1622820-8	3520470RJT	3520 470R 5%	50
5-1622820-3	3520560RJT	3520 560R 5%	50
5-1622820-7	3520680RJT	3520 680R 5%	50
1-1622820-4	35201K0JT	3520 1K0 5%	50
3-1622820-1	35202K2JT	3520 2K2 5%	50
4-1622820-4	35203K3JT	3520 3K3 5%	50
5-1622820-1	35204K7JT	3520 4K7 5%	50
1622820-3	352010KJT	3520 10K 5%	50
1622820-9	352015KJT	3520 15K 5%	50
2-1622820-6	352022KJT	3520 22K 5%	50
3-1622820-9	352033KJT	3520 33K 5%	50
4-1622820-9	352047KJT	3520 47K 5%	50
5-1622820-8	352068KJT	3520 68K 5%	50
1622820-1	3520100KJT	3520 100K 5%	50
1622820-7	3520150KJT	3520 150K 5%	50
2-1622820-4	3520220KJT	3520 220K 5%	50
3-1622820-7	3520330KJT	3520 330K 5%	50
4-1622820-7	3520470KJT	3520 470K 5%	50
5-1622820-6	3520680KJT	3520 680K 5%	50
1-1622820-7	35201M0JT	3520 1M 5%	50

THIS DRAWING IS A CONTROLLED DOCUMENT.		DWN DHEERAJ M 02NOV2023	 TE Connectivity
DIMENSIONS: mm		CHK TRACY G 02NOV2023	
		APVD ALLAN P 02NOV2023	
TOLERANCES UNLESS OTHERWISE SPECIFIED:		PRODUCT SPEC	NAME SMD HIGH POWER RESISTOR TYPE 3520 SERIES LAB KIT
0 PLC ± 1 PLC ± 2 PLC ± 3 PLC ± 4 PLC ± ANGLES ± FINISH -		APPLICATION SPEC	SIZE A3
MATERIAL		WEIGHT	CAGE CODE 00779
		CUSTOMER DRAWING	DRAWING NO 6-1622820-7
			RESTRICTED TO
			SCALE 1:1 SHEET 3 OF 3 REV BA