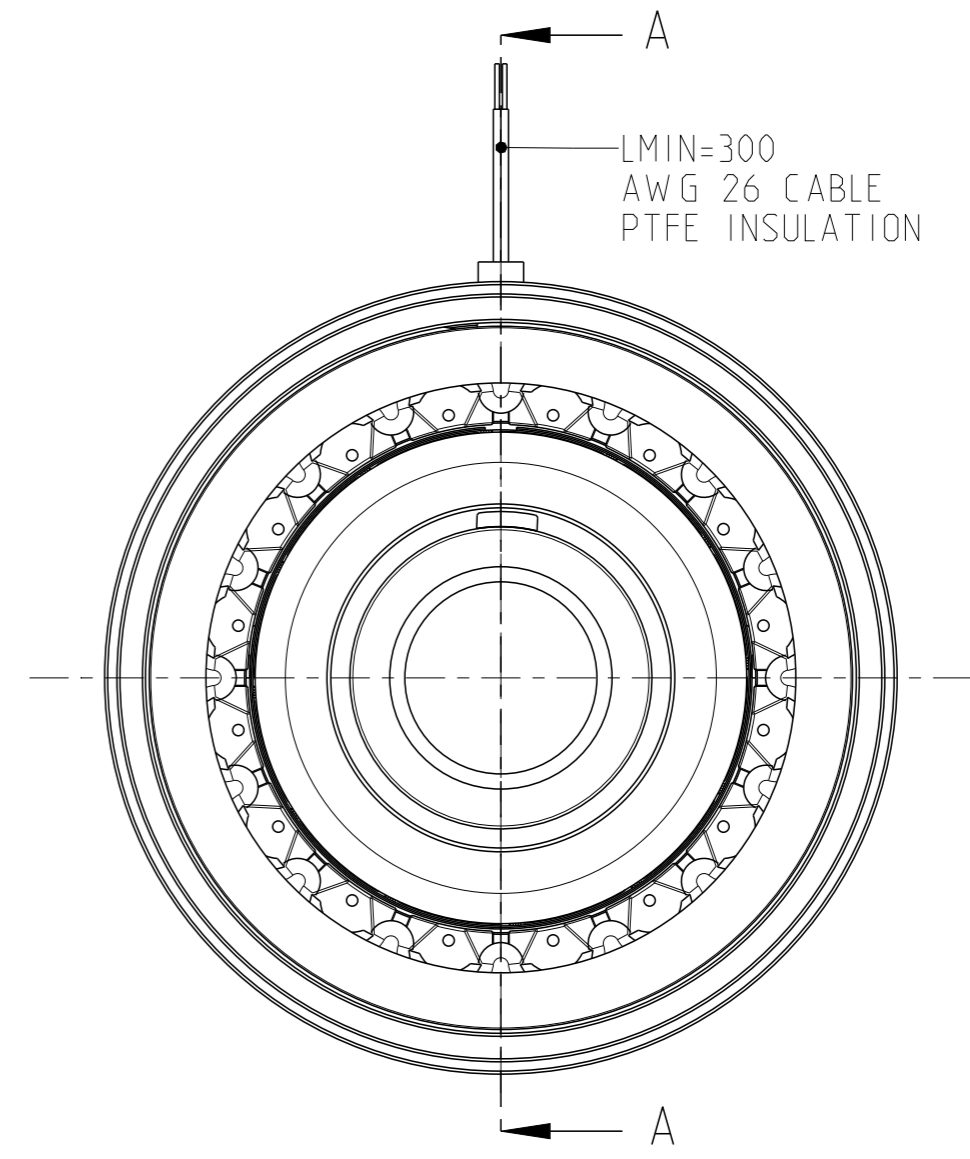
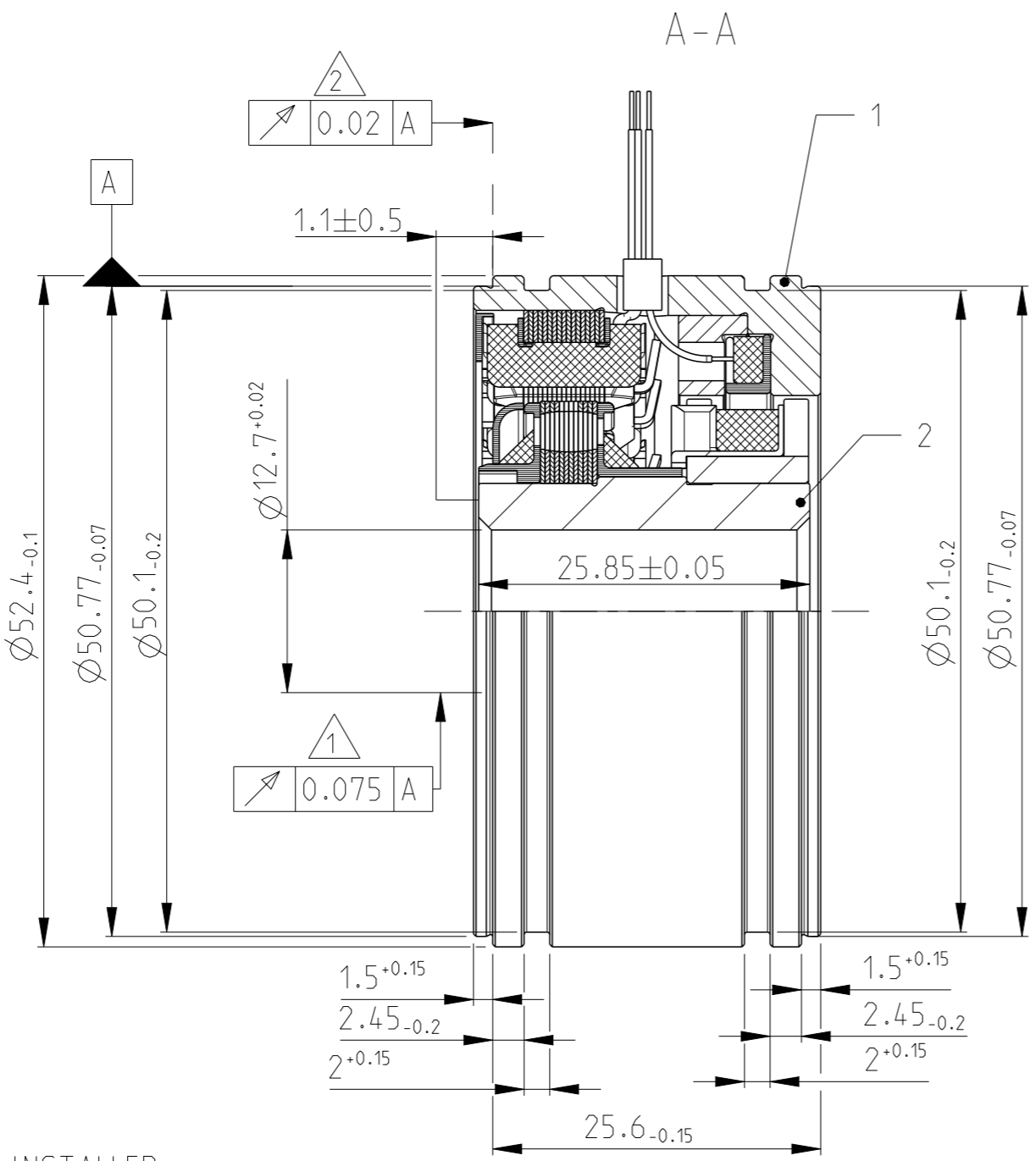
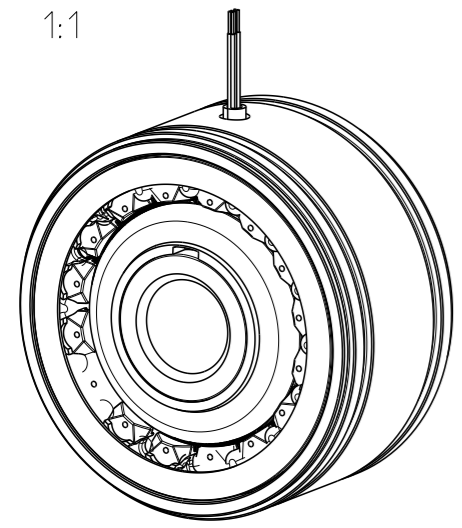


© 2022 TE Connectivity. All Rights Reserved.

SIGNAL	COLOR
S1	RED
S2	YELLOW
S3	BLACK
S4	BLUE
R1	RED-WHITE
R2	YELLOW-WHITE

REVISIONS					
P	LTR	DESCRIPTION	DATE	DWN	APVD
B		INITIAL RELEASE	14 JAN2016	GCM	PL
B1		ECR-22-154842	07OCT2022	Ka	HB



1 TOTAL RUNOUT WHEN INSTALLED

2 AXIAL OFFSET

REVISION	PARTNUMBER	DESCRIPTION	ITEM NO
1	1-1824370-0	ROTOR COMPLETE U1016-B1	2
1	1-1824219-0	HOUSING COMPLETE TYPE U1016	1
6-1393048-1	PARTNUMBER	DESCRIPTION	ITEM NO
-	REVISION OF EACH ASSY NO. (WHEN BLANK, USE DWG. REVISION)		
PARTS LIST			

THIS DRAWING IS A CONTROLLED DOCUMENT.	
DIMENSIONS: mm	TOLERANCES UNLESS OTHERWISE SPECIFIED:
0 PLC	±
1 PLC	±
2 PLC	±
3 PLC	±
4 PLC	±
ANGLES	±
FINISH	-
MATERIAL	-

DWN	GANESH	14 JAN2016
CHK	-	-
APVD	L. PIOTR	14 JAN2016
PRODUCT SPEC	-	-
APPLICATION SPEC	-	-
WEIGHT	-	-
CUSTOMER DRAWING		

		TE Connectivity	
		NAME	
DIMENSIONAL DRAWING RESOLVER		V23401-U1016-B110 6-1393048-1	
SIZE	CAGE CODE	DRAWING NO	RESTRICTED TO
A3	00779	6-1393048-1	-
SCALE		SHEET	REV
2:1		1 OF 1	B1