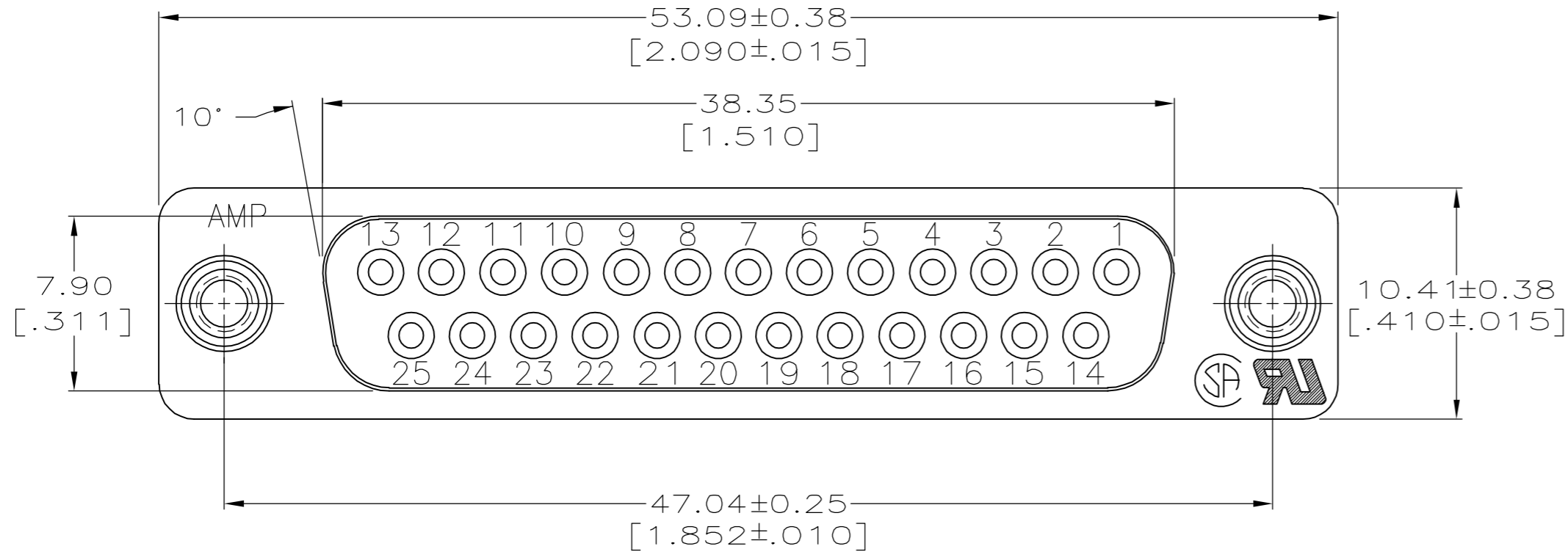
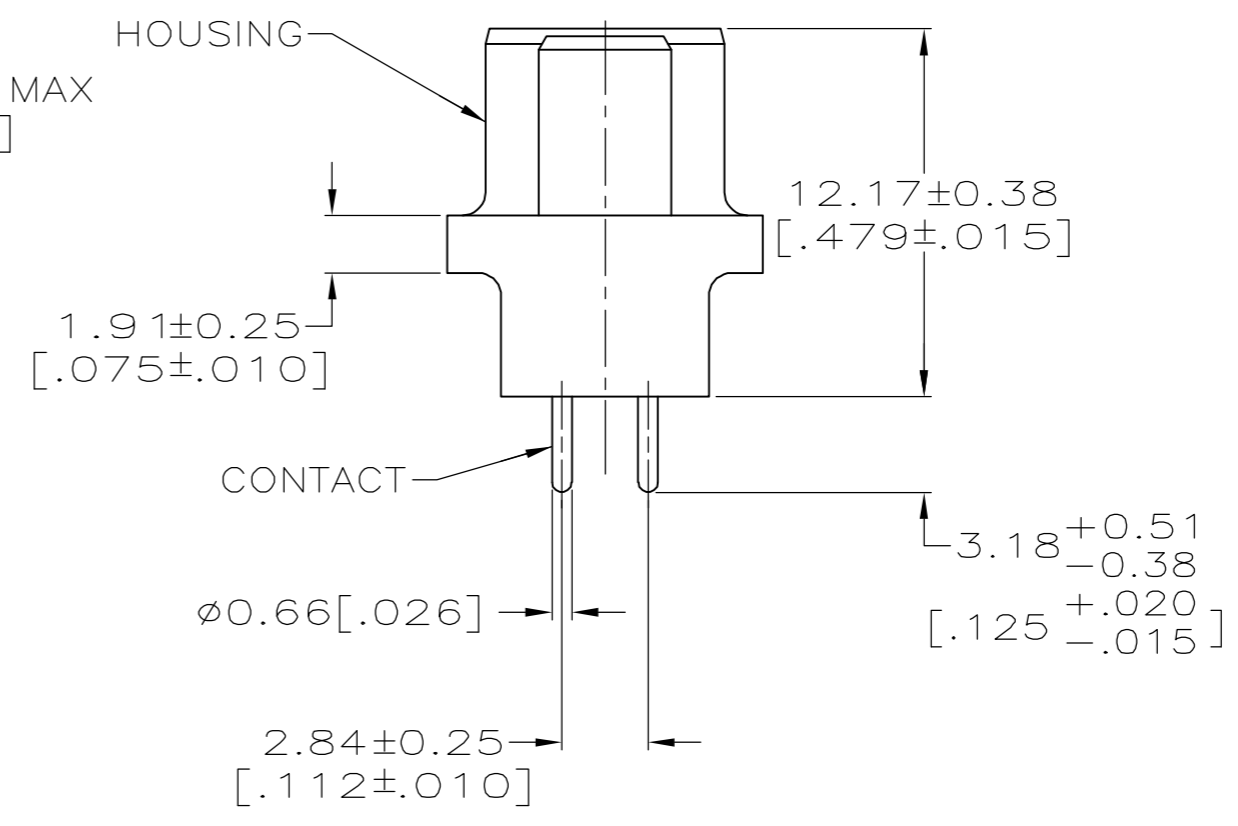
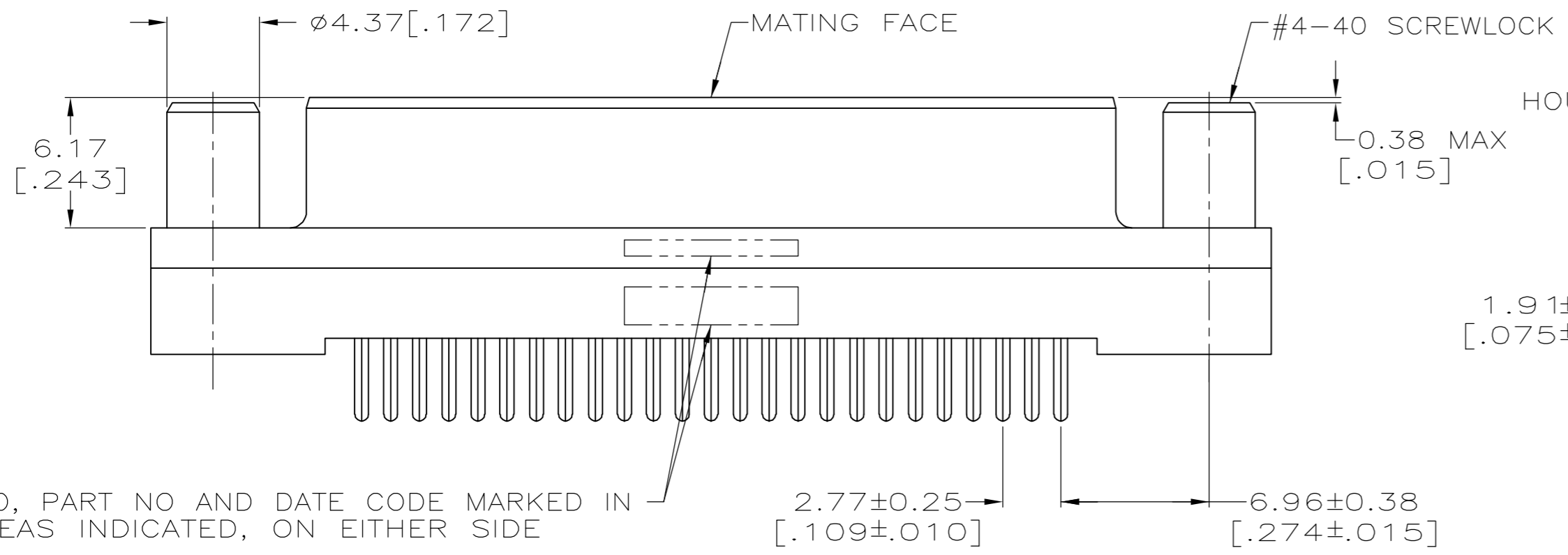


THIS DRAWING IS UNPUBLISHED. RELEASED FOR PUBLICATION
 © COPYRIGHT BY TYCO ELECTRONICS CORPORATION. ALL RIGHTS RESERVED.

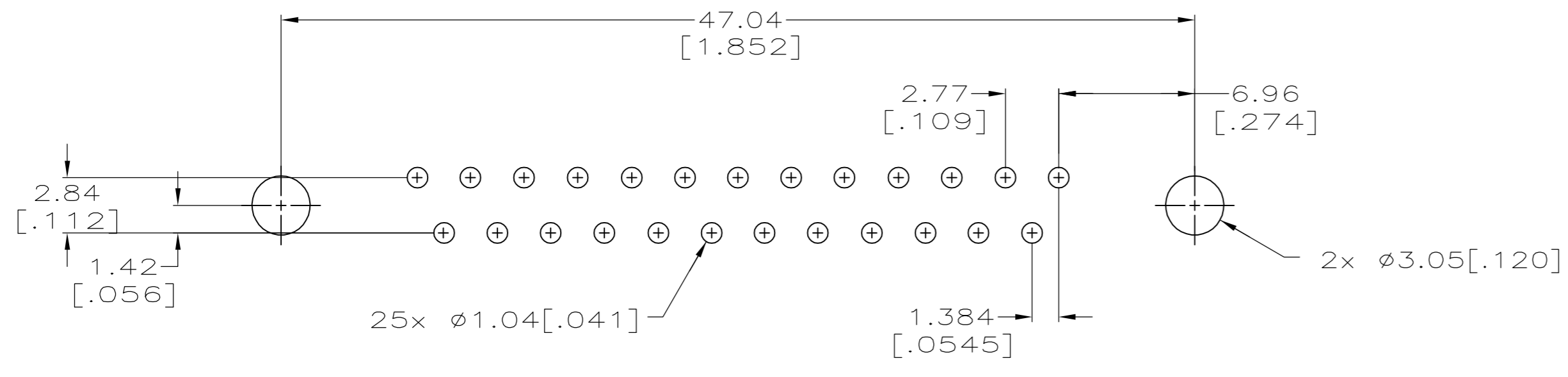
LOC		DIST		REVISIONS			
P	LTR	DESCRIPTION	DATE	DWN	APVD		
GP	00						
	0	RELEASED PER EC 0513-0087-05	22SEP05	GP	JG		



- ① HOUSING: GLASS FILLED NYLON, UL 94V0 RATED, COLOR BLACK.
CONTACTS: PHOSPHOR BRONZE.
SCREWLOCKS: BRASS.
- ② CONTACTS: 0.00076[.000030] MIN GOLD FOR A LENGTH OF 2.54[.100] MIN FROM MATING END, 0.00254[.000100] MIN FOR A LENGTH OF 3.18[.125] FROM SOLDER END, ALL OVER 0.00127[.000050] NICKEL.
SCREWLOCKS: 0.00127[.000050] MIN NICKEL OVER COPPER FLASH.
- 3. ASSEMBLY IS COMPATIBLE WITH REFLOW SOLDERING APPLICATIONS APPLICATIONS TO A MAXIMUM OF 225°C FOR A MAXIMUM DURATION OF 90 SECONDS.



TYCO, PART NO AND DATE CODE MARKED IN AREAS INDICATED, ON EITHER SIDE



RECOMMENDED PC BOARD MOUNTING DIMENSIONS

COPYRIGHT 2005 TYCO ELECTRONICS CORP ALL RIGHTS RESERVED

THIS DRAWING IS A CONTROLLED DOCUMENT.		DWN G.PETERS 22SEP05	Tyco Electronics Corporation Harrisburg, PA 17105-3608	5788833-1		
DIMENSIONS: mm [INCHES]		CHK S.BOLASH 22SEP05		PART NUMBER		
TOLERANCES UNLESS OTHERWISE SPECIFIED:		APVD M.WALMSLEY 22SEP05		RECEPTACLE ASSEMBLY, SIZE 3, 25 POS, VERTICAL, AMPLIMITE HD-20		
0 PLC ± - 1 PLC ± - 2 PLC ± 0.13[.005] 3 PLC ± - 4 PLC ± - ANGLES ± 2°		PRODUCT SPEC 108-40025		SIZE A2	CAGE CODE -	DRAWING NO C=5788833
MATERIAL ①		FINISH ②	WEIGHT -	SCALE 4:1	SHEET 1 of 1	RESTRICTED TO -
CUSTOMER DRAWING			REV 0			

5788833