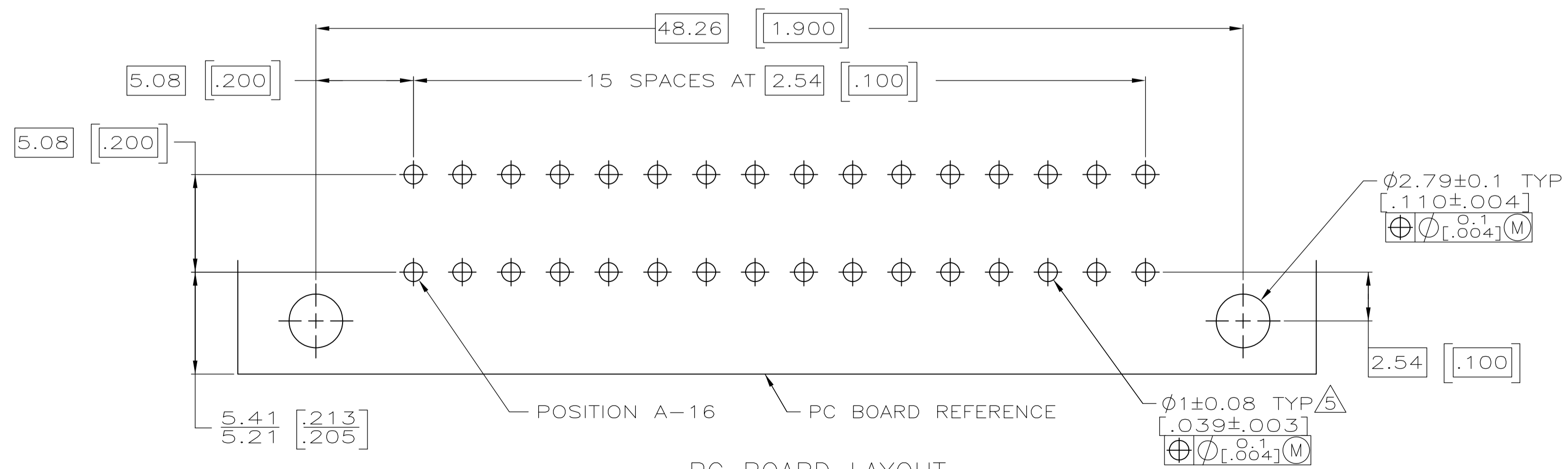
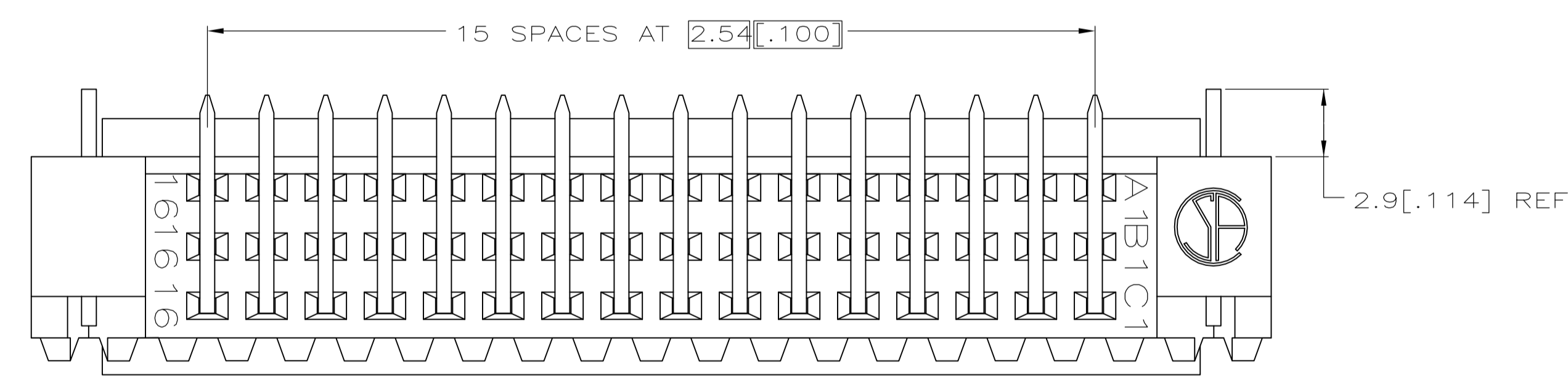
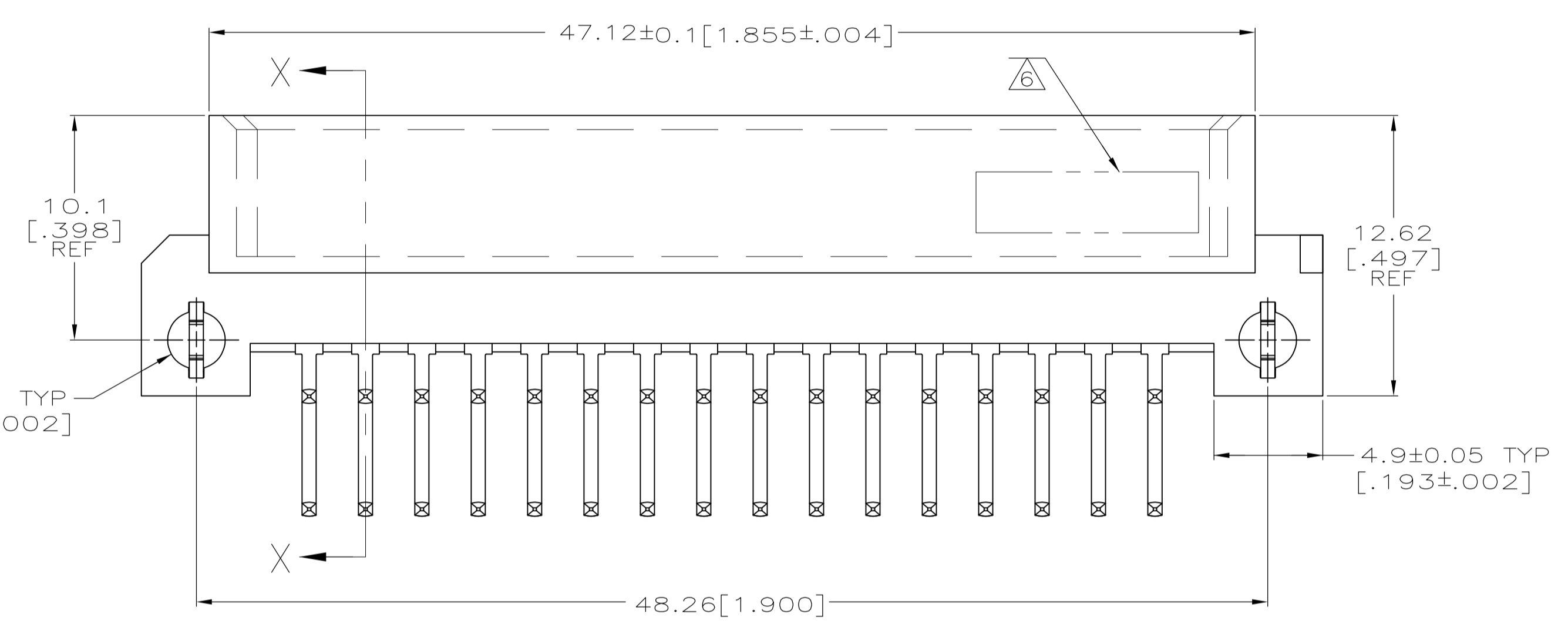
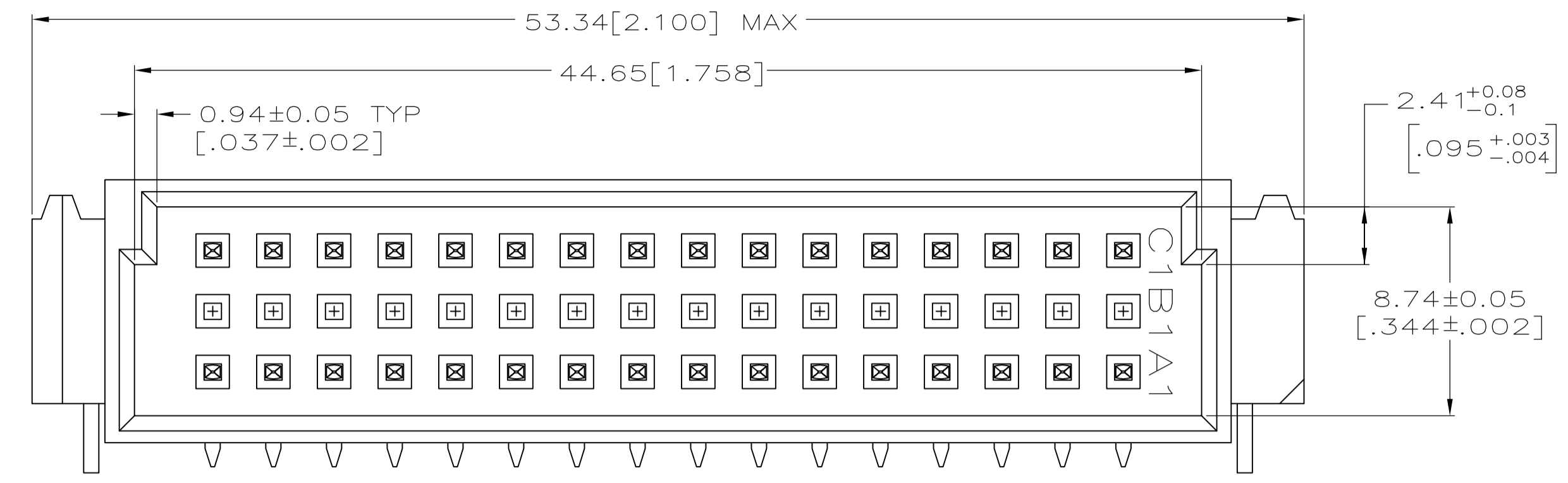
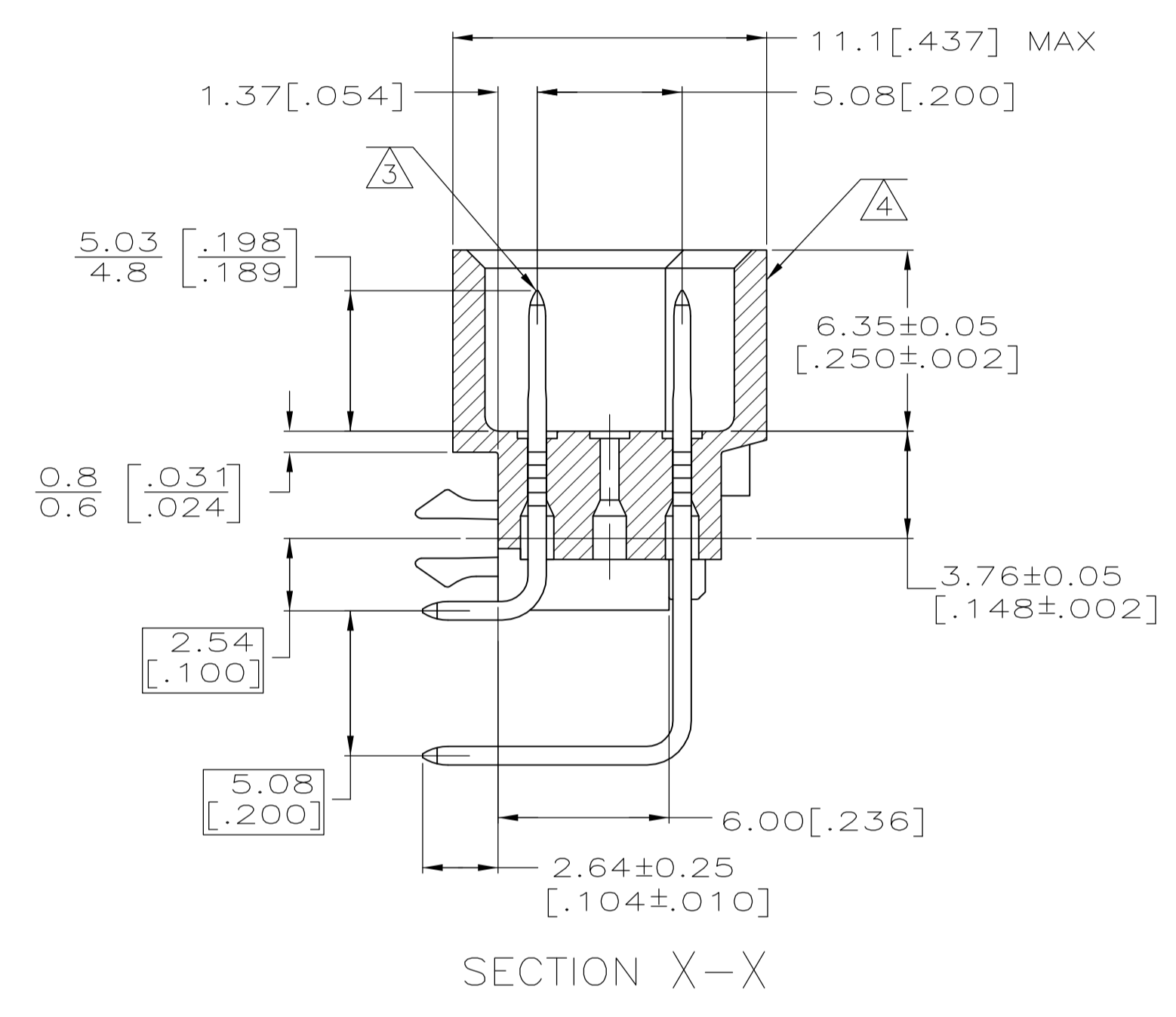


LOC	DIST	REVISONS					
AD	25	P	LTR	DESCRIPTION	DATE	DWN	APVD
		A		REVISED PER ECO-15-006790	06MAY2015	AP	RP

- 1 HOUSING MATERIAL: GLASS-FILLED POLYMER.
- 2 POST MATERIAL: COPPER ALLOY.
- 3 POST FINISH: DIN 41612 CLASS 2 IN CONTACT AREA. TIN PLATE ON POSTS.
- 4 MARKING ON THIS SIDE.
- 5 RECOMMENDED HOLE SIZE FOR MANUAL APPLICATION OF CONNECTOR ONTO PC BOARD.
- 6 PART NUMBER, DATE CODE MARKED THIS APPROXIMATE AREA.



PC BOARD LAYOUT  
RECOMMENDED PC BOARD THICKNESS 1.57[.062]



REFERENCE FAMILY DRAWING 650473  
FOR ALL TYPE C HEADER OFFERINGS

1-16	X	-	X	32	5650978-5
POSITIONS LOADED	C	B	A	NO. OF LOADED POSITIONS	ASSY PART NUMBER

THIS DRAWING IS A CONTROLLED DOCUMENT.		DIN J. POLIGNONE OSMAVOS		APVD A. SHARPE OSMAVOS		NAME ASSEMBLY, PIN, EUROCARD, TYPE 1/C, A and C, 32/48 POSITION, 2.64[.104] SOLDER POST WITH BOARD LOCKS, SELECT LOAD	
DIMENSIONS: mm [INCHES]		TOLERANCES UNLESS OTHERWISE SPECIFIED:		PRODUCT SPEC		APPLICATION SPEC	
0 PLC ± -		1 PLC ± -		2 PLC ± 0.13[.005]		3 PLC ± -	
4 PLC ± -		ANGLES ± -		SIZE		CAGE CODE DRAWING NO	
MATERIAL		FINISH		WEIGHT		A1 00779 C=5650978	
1 2		3		CUSTOMER DRAWING		SCALE 5:1 SHEET 1 of 1 REV A	