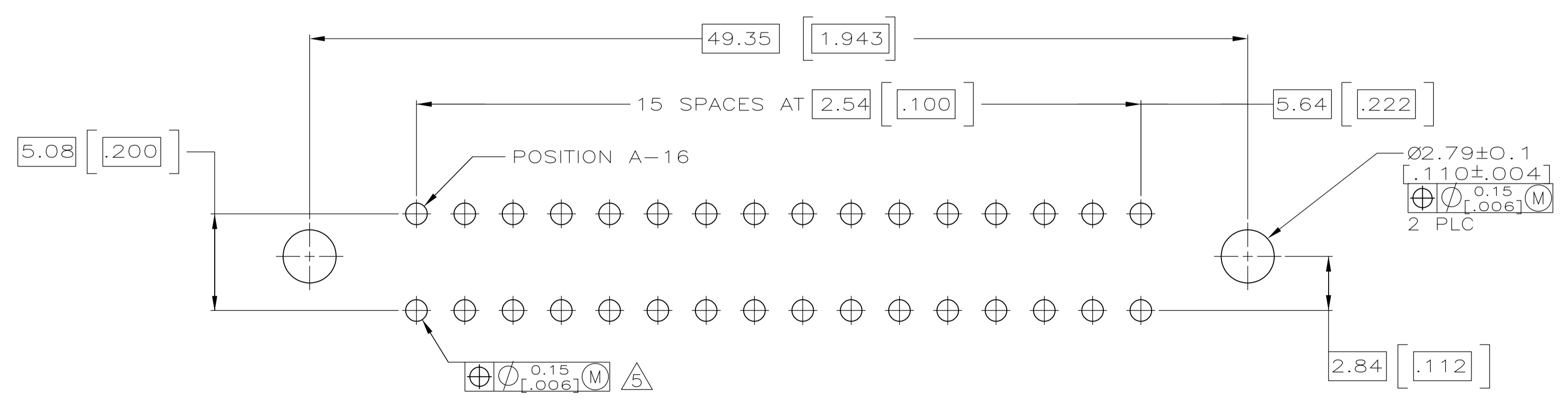
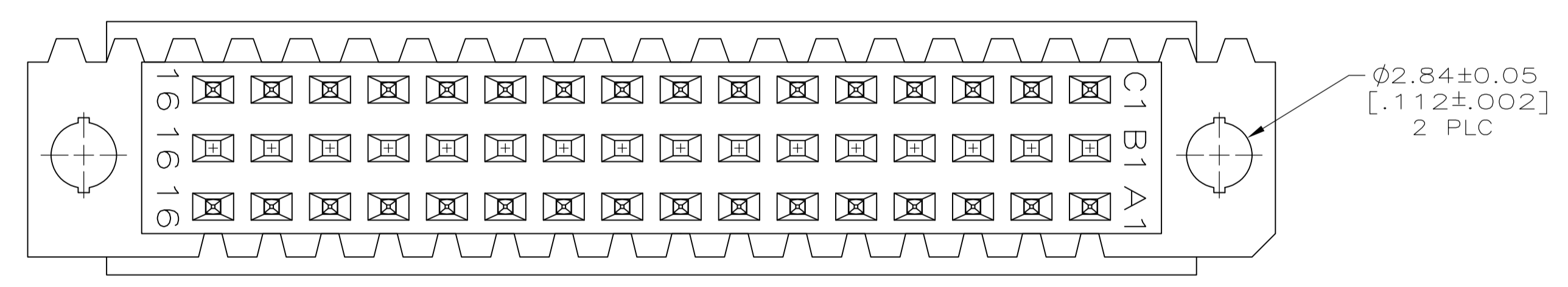
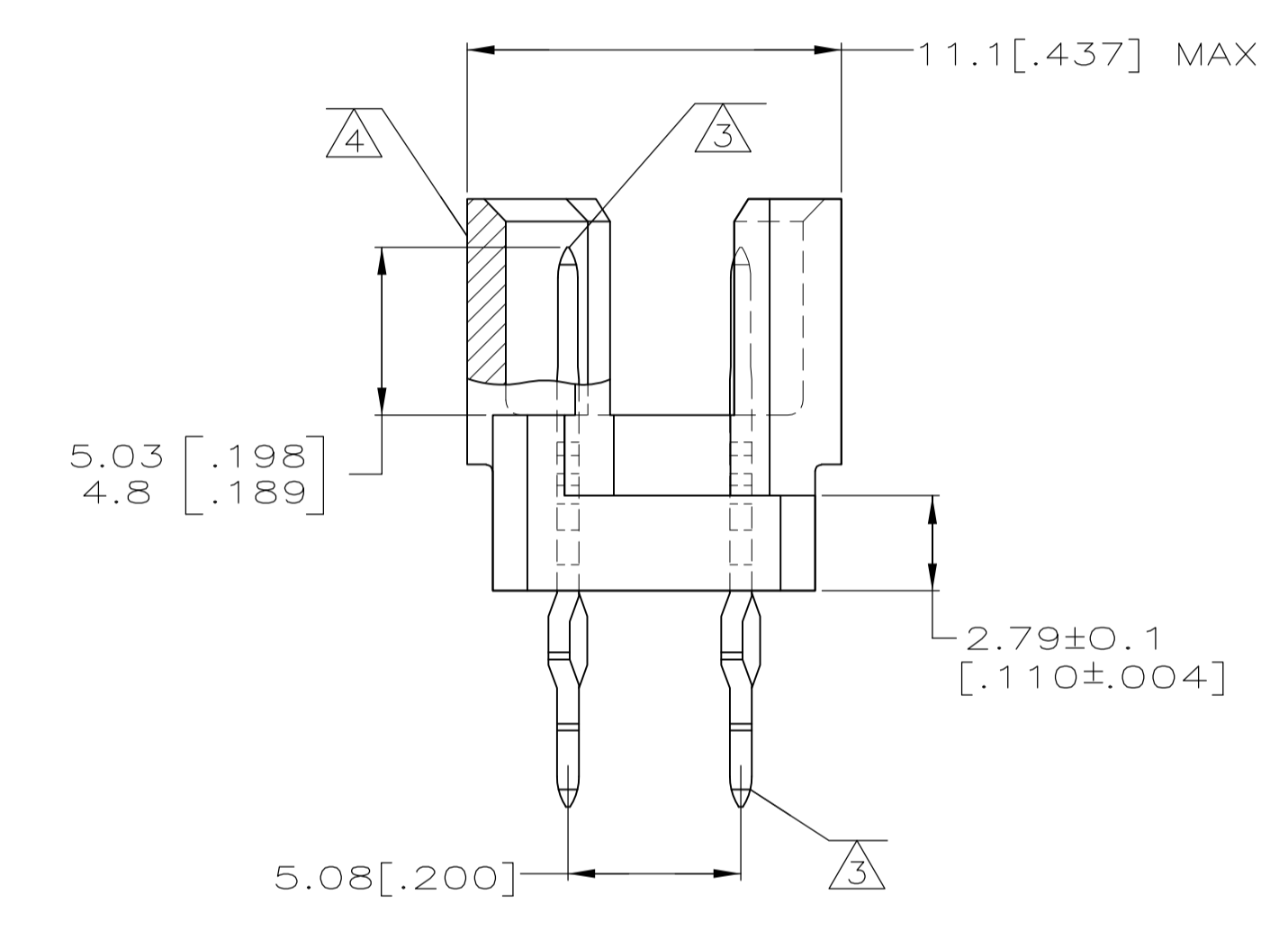
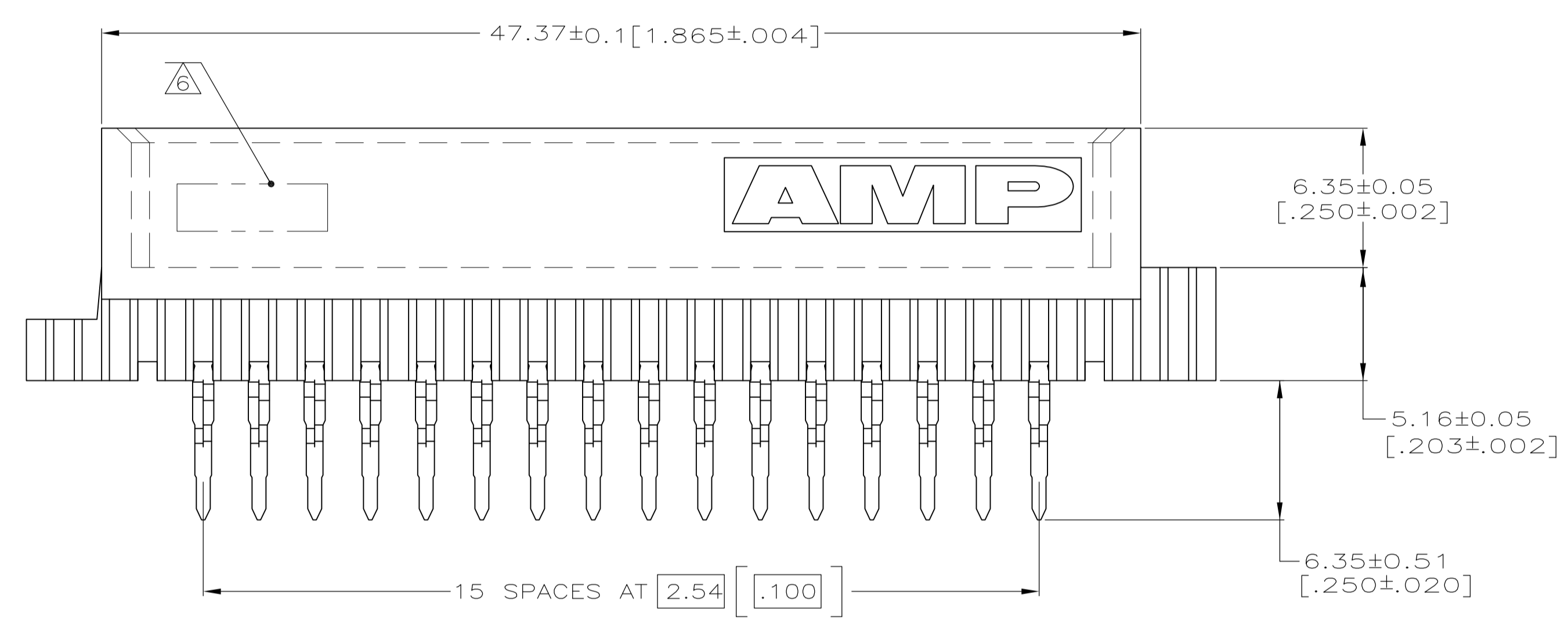
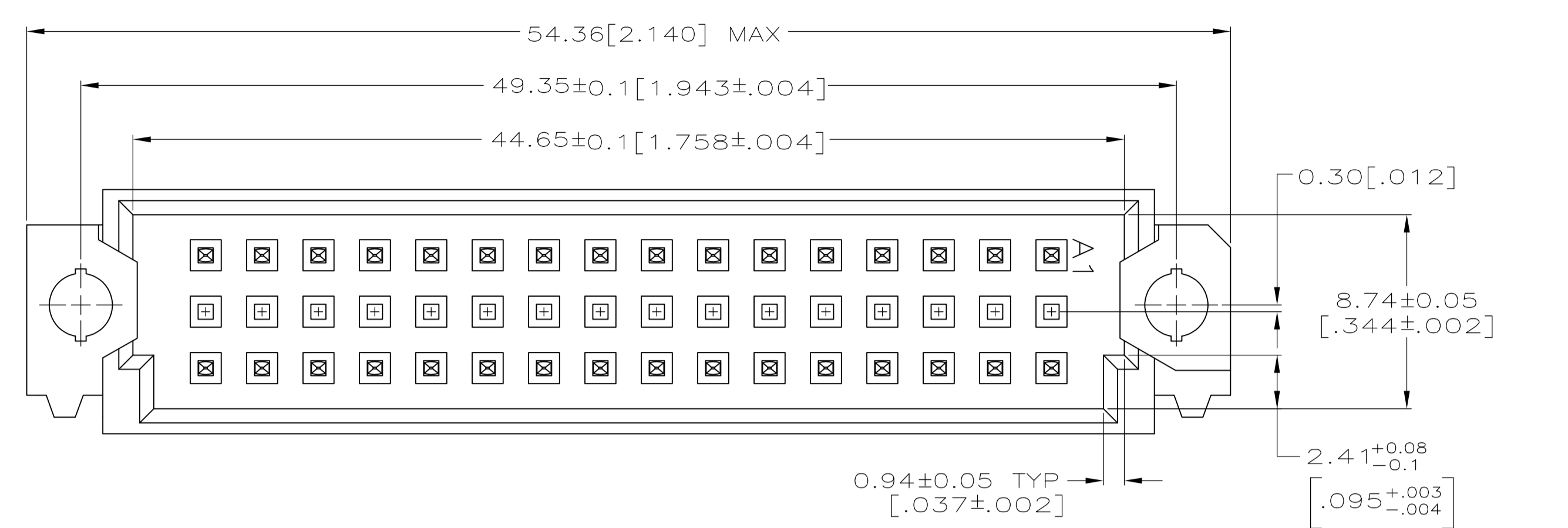


- 1 HOUSING MATERIAL: GLASS-FILLED POLYMER.
- 2 POST MATERIAL: COPPER ALLOY.
- 3 POST FINISH: DIN 41612 CLASS 2 IN CONTACT AREA. TIN PLATE ON POSTS.
- 4 MARKING ON THIS SIDE.
- 5 ACTION PIN POSTS REQUIRE 2.36 [.093] MIN THICK PC BOARD. RECOMMENDED PC BOARD HOLES ARE  $\phi 1.151$  [.0453] PLATED THROUGH WITH 0.02-0.08 [.001-.003] COPPER AND 0.008 [.0003] MIN TIN-LEAD PLATING. FINISHED HOLE AFTER PLATING,  $\phi 0.94-1.09$  [.037-.043].
- 6 PART NUMBER, DATE CODE MARKED THIS APPROXIMATE AREA.



PC BOARD LAYOUT

1-16	X	-	X	32	5650931-4
POSITIONS LOADED	C	B	A	NO. OF LOADED POSITION	ASSY PART NUMBER

THIS DRAWING IS A CONTROLLED DOCUMENT.		DIN J. POLIGNONE DSMAYOS		STE TE Connectivity																			
DIMENSIONS: mm [INCHES]		TOLERANCES UNLESS OTHERWISE SPECIFIED:		NAME																			
<table border="1"> <tr><td>0 PLC</td><td>±</td><td>-</td></tr> <tr><td>1 PLC</td><td>±</td><td>-</td></tr> <tr><td>2 PLC</td><td>±</td><td>0.13[.005]</td></tr> <tr><td>3 PLC</td><td>±</td><td>-</td></tr> <tr><td>4 PLC</td><td>±</td><td>-</td></tr> <tr><td>ANGLES</td><td>±</td><td>-</td></tr> </table>		0 PLC	±	-	1 PLC	±	-	2 PLC	±	0.13[.005]	3 PLC	±	-	4 PLC	±	-	ANGLES	±	-	APPLICATION SPEC		ASSEMBLY, PIN, EUROCARD, TYPE 1/2R, A and C, 32/48 POSITION, 6.35[.250] PRESS-FIT POSTS	
0 PLC	±	-																					
1 PLC	±	-																					
2 PLC	±	0.13[.005]																					
3 PLC	±	-																					
4 PLC	±	-																					
ANGLES	±	-																					
MATERIAL		FINISH		SIZE																			
1 2		3		A1 00779 C=5650931																			
CUSTOMER DRAWING		SCALE		SHEET																			
		5:1		1 OF 1																			