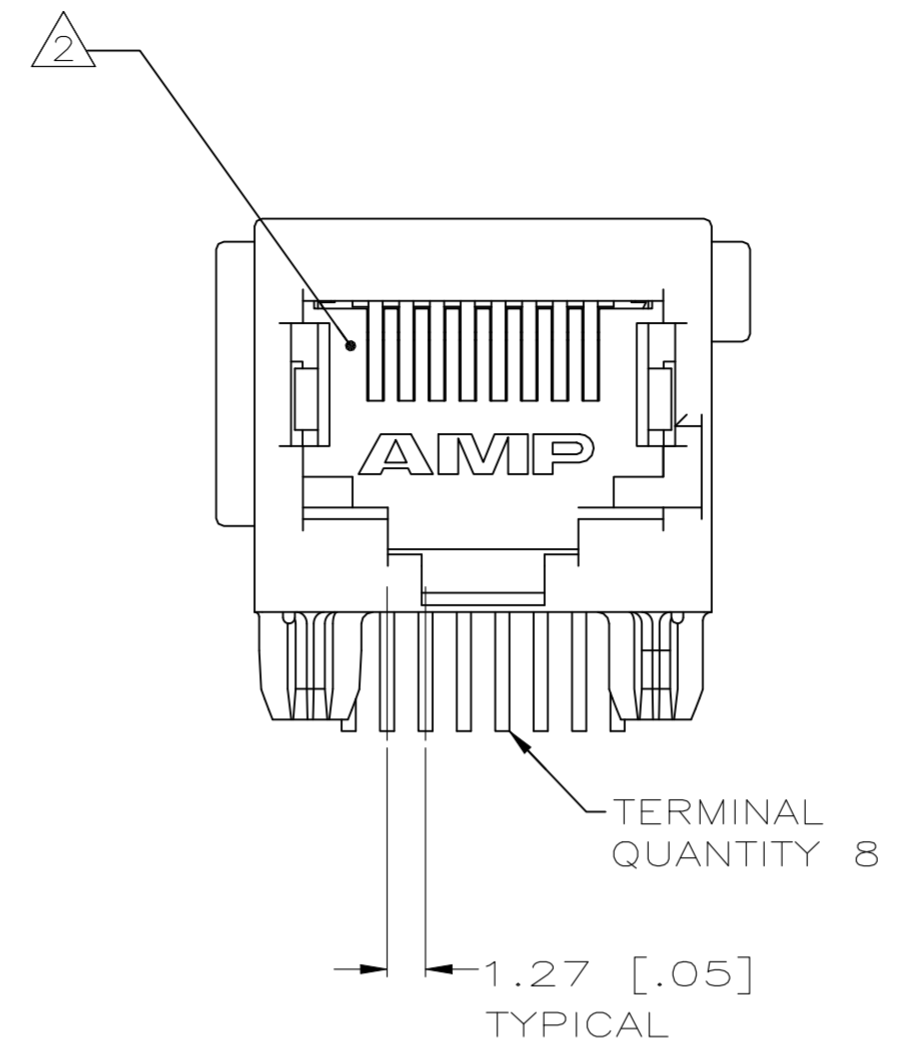
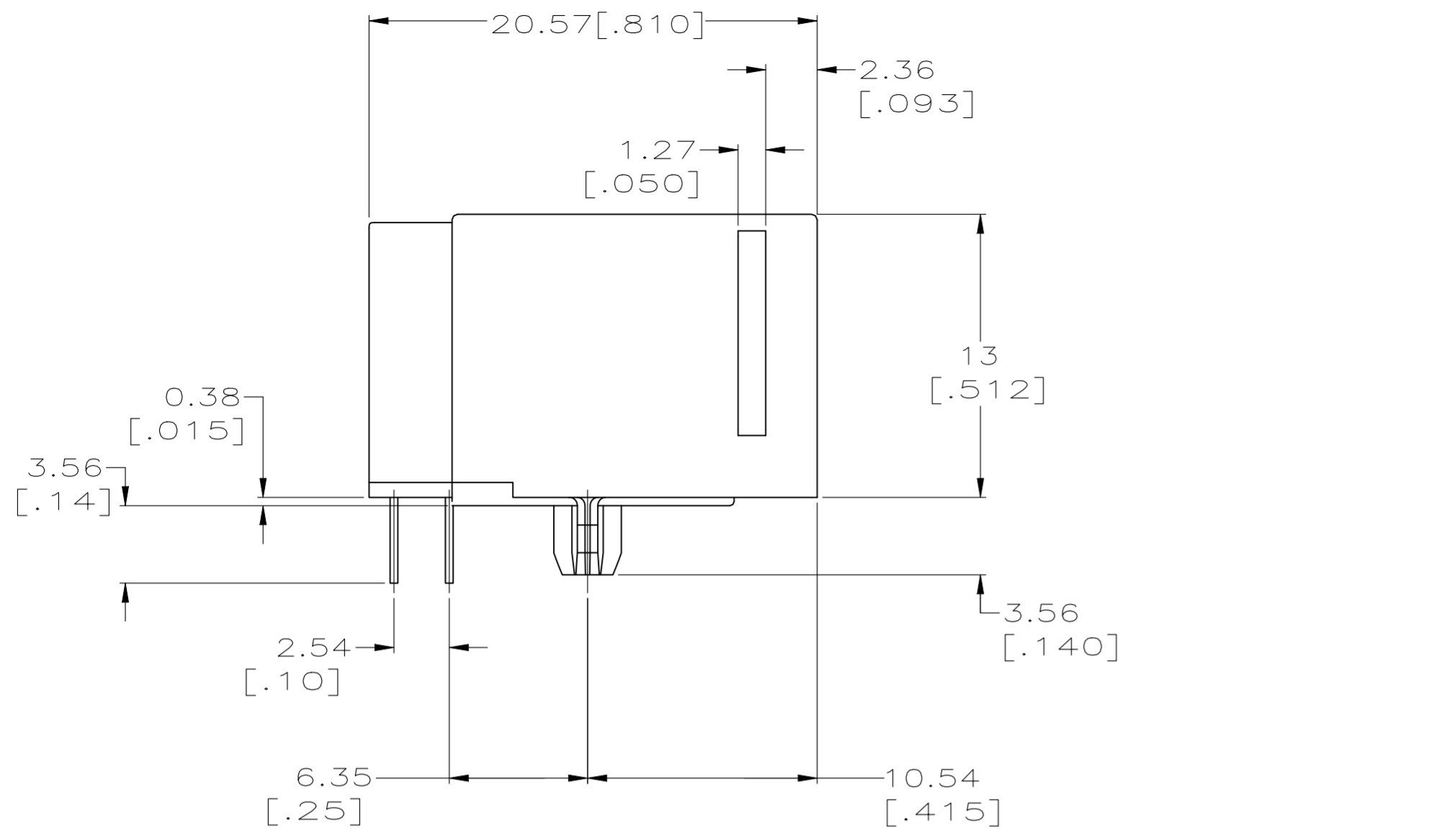
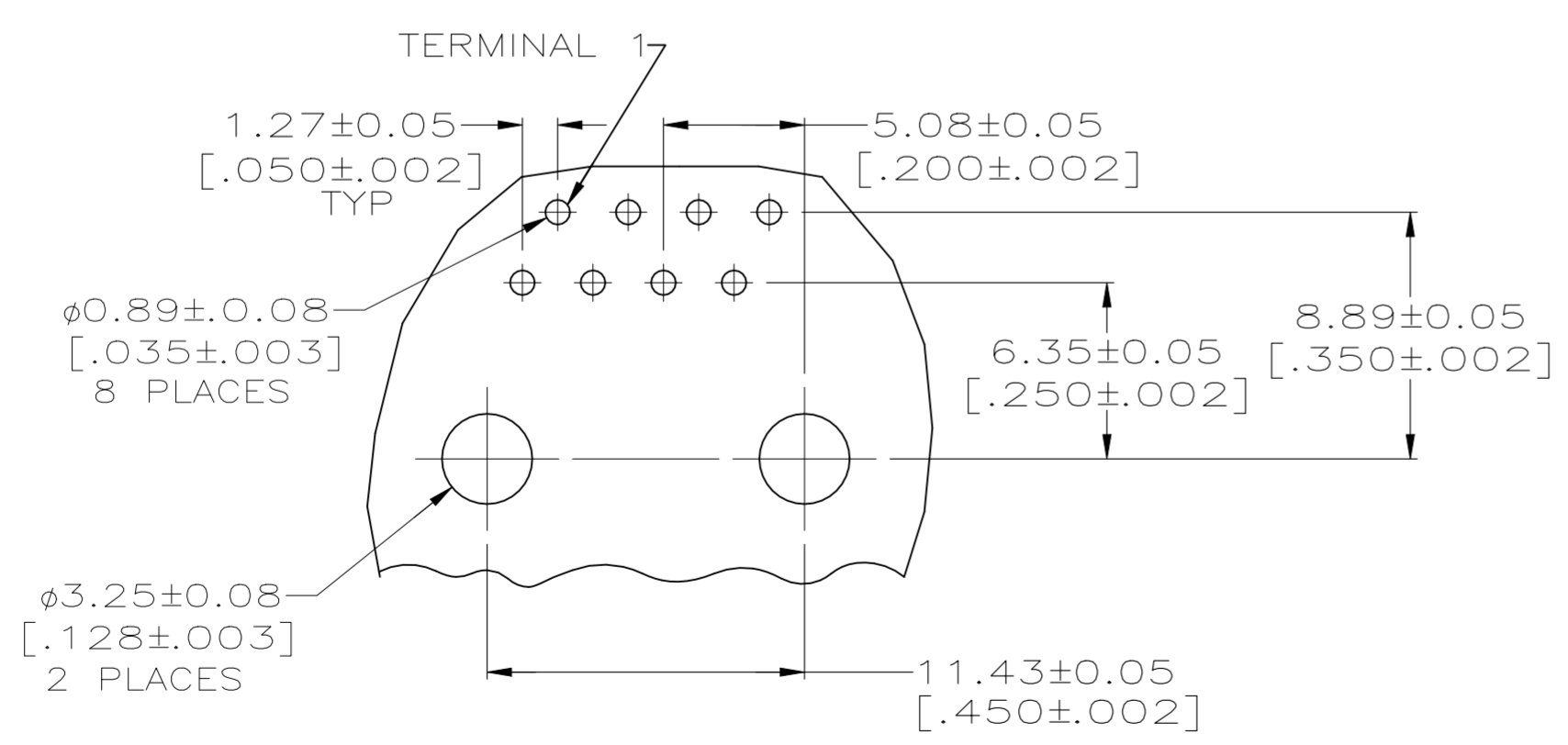
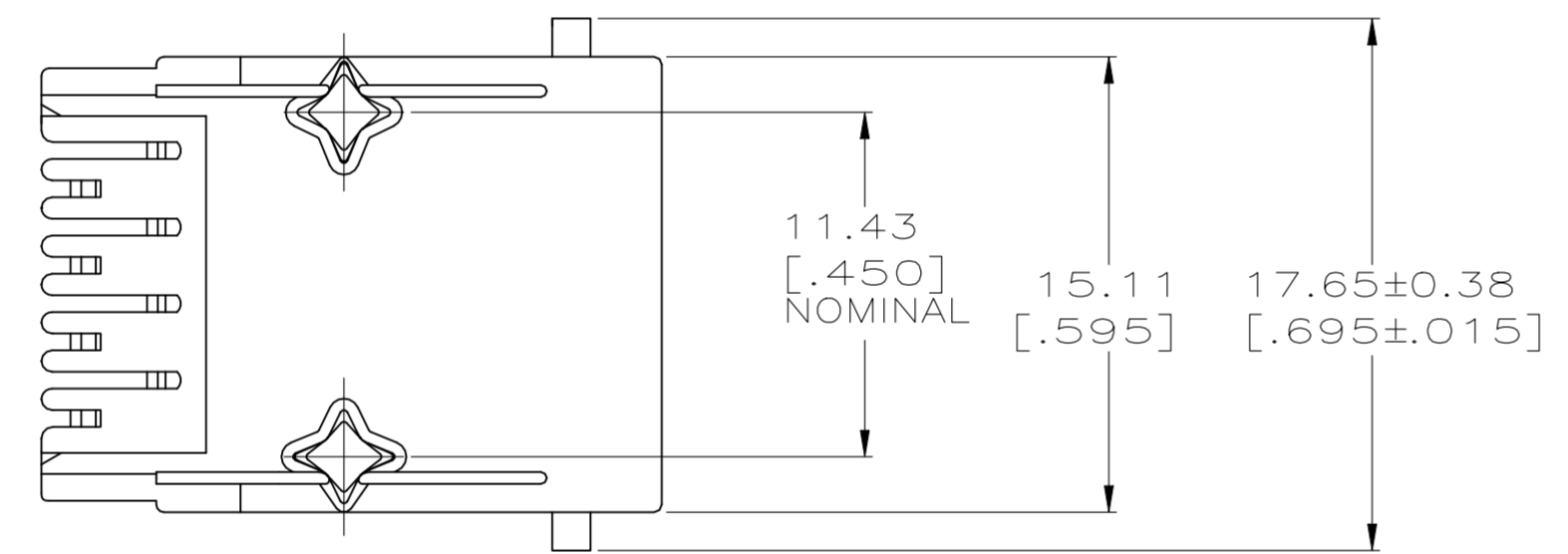


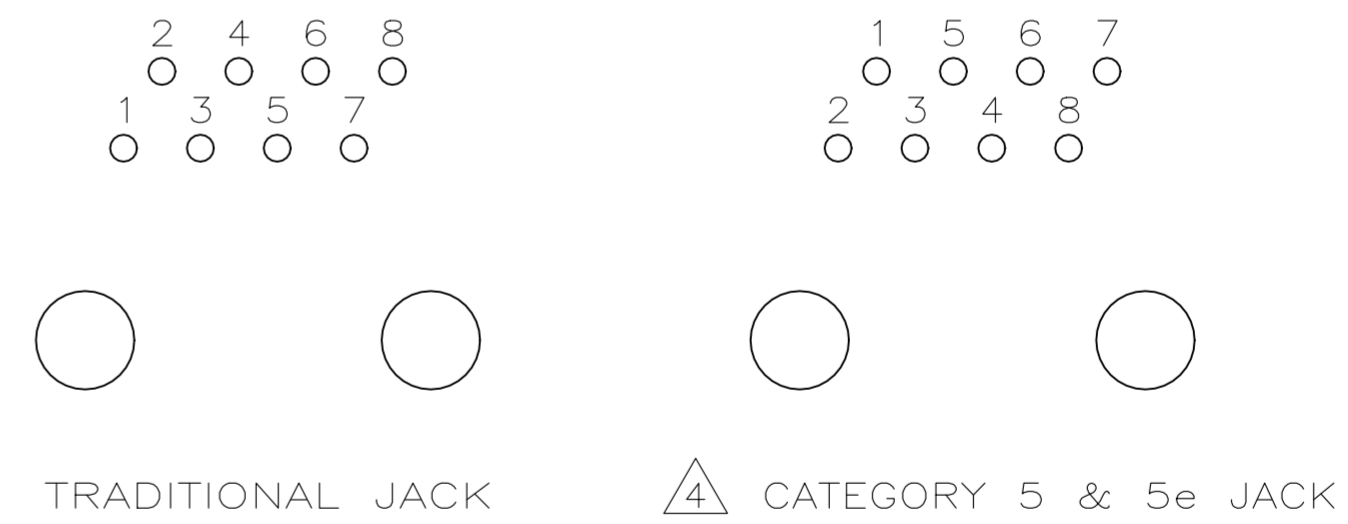
REVISIONS					
P	LTR	DESCRIPTION	DATE	DWN	APVD
A1		ECR-19-014657	13DEC2020	RR	SZ



- 1 MATERIAL: HOUSING - PBT POLYESTER, BLACK.
TERMINAL -.033 [.013] THICK PHOS-BRONZE PLATED WITH 1.27 μm [.000050] MINIMUM THICK HARD GOLD IN LOCALIZED GOLD PLATE AREA AND 3.81 μm [.000150] MINIMUM THICK MATTE TIN IN SOLDER AREA OVER 1.27 μm [.000050] MINIMUM THICK NICKEL UNDERPLATE.
- 2 CAVITY CONFORMS TO FCC RULES AND REGULATIONS PART 68, SUBPART F.
- 3 THIS DRAWING RESTRICTED TO AMP ITALY.
- 4 CAUTION: CATEGORY 5 JACK SOLDER TAIL POSITIONS DO NOT FOLLOW SAME NUMBER SEQUENCE AS THAT OF TRADITIONAL JACKS.



SUGGESTED PC BOARD LAYOUT
COMPONENT SIDE
SEE APPLICATION SPECIFICATION



THIS DRAWING IS A CONTROLLED DOCUMENT.		DWN L. VARELA - DOCK5 07JUN2005			5569806-1 PART NO.	
DIMENSIONS: mm [INCHES]		CHK J. WESTMAN 07JUN2005			APVD S. FLICKINGER 07JUN2005	
TOLERANCES UNLESS OTHERWISE SPECIFIED:		PRODUCT SPEC 108-1163		MODULAR JACK ASSEMBLY, 8 POSN, R/A, LOW PROFILE, WITH PANEL STOPS, KEYED, CAT 5e		RESTRICTED TO
0 PLC ± -		APPLICATION SPEC 114-2048		SIZE A2	CAGE CODE 00779	DRAWING NO C=5569806
1 PLC ± -		WEIGHT 0.000000		SCALE 1:1	SHEET 1 OF 1	REV A1
2 PLC ± 0.25 [.01]		CUSTOMER DRAWING				
3 PLC ± 0.13 [.005]						
4 PLC ± -						
ANGLES ± -						
FINISH						