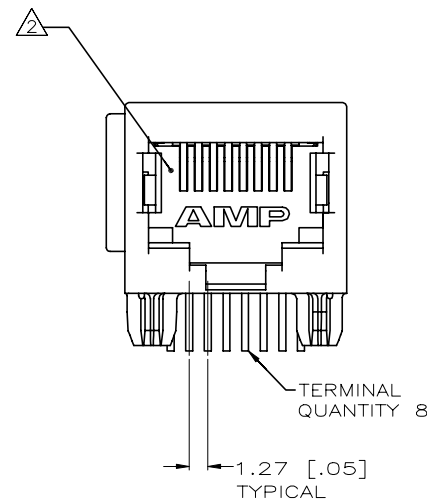
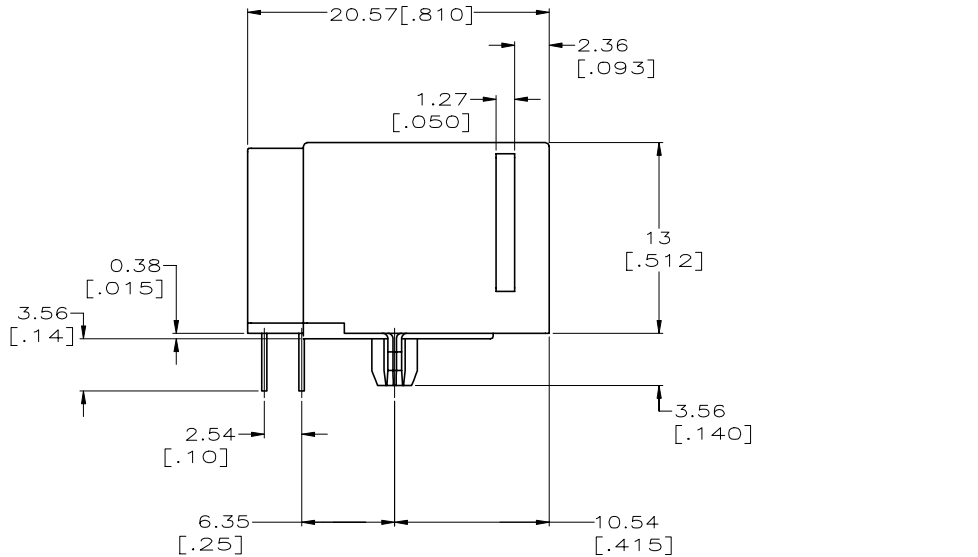
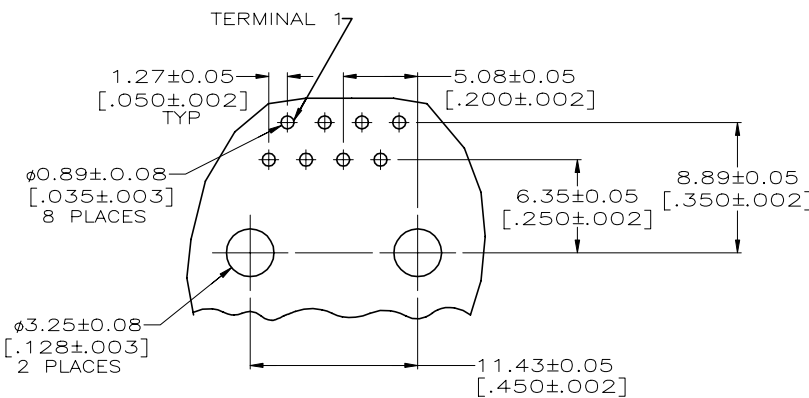
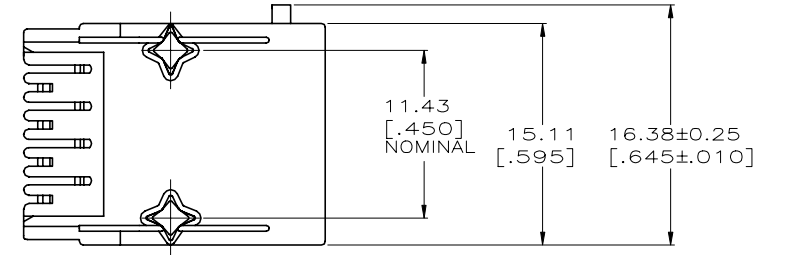


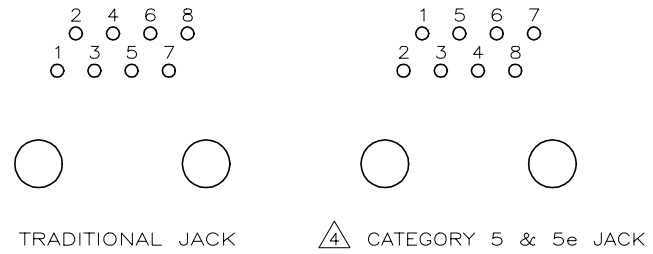
REVISIONS					
P	LTR	DESCRIPTION	DATE	DWN	APVD
1	A1	ECR-19-014657	13DEC2020	RR	SZ



- △ MATERIAL: HOUSING - PBT POLYESTER, BLACK.  
TERMINAL - 0.33[.013] THICK PHOS-BRONZE PLATED WITH 1.27µm[.000050] MINIMUM THICK HARD GOLD IN LOCALIZED GOLD PLATE AREA AND 3.81µm [.000150] MINIMUM THICK MATTE TIN IN SOLDER AREA OVER 1.27µm[.000050] THICK MINIMUM NICKEL UNDERPLATE.
- △ CAVITY CONFORMS TO FCC RULES AND REGULATIONS PART 68, SUBPART F.
- 3. THIS DRAWING RESTRICTED TO AMP ITALY.
- △ CAUTION: CATEGORY 5 JACK SOLDER TAIL POSITIONS DO NOT FOLLOW SAME NUMBER SEQUENCE AS THAT OF TRADITIONAL JACKS.



SUGGESTED PC BOARD LAYOUT  
COMPONENT SIDE  
SEE APPLICATION SPECIFICATION



5569805-1  
PART NO.

THIS DRAWING IS A CONTROLLED DOCUMENT.		DWN L. VARELA - 07/JUN/2005	TE Connectivity	
		CHK J. WESTMAN - 07/JUN/2005	S. FLICKINGER	
DIMENSIONS: mm [INCHES]		APVD S. FLICKINGER - 07/JUN/2005	NAME MODULAR JACK ASSEMBLY, 8 POSN, R/A, LOW PROFILE, WITH LEFT PANEL STOP, CAT 5e	
TOLERANCES UNLESS OTHERWISE SPECIFIED: 0 PLC ± - 1 PLC ± - 2 PLC ± 0.25[.01] 3 PLC ± 0.13[.005] 4 PLC ± -		PRODUCT SPEC 108-1163	SIZE 114-2048	
MATERIAL △		FINISH △	RESTRICTED TO CUSTOMER	RESTRICTED TO CUSTOMER
		WEIGHT 0.000000	A2 00779 C=5569805	SCALE 1:1
		RESTRICTED CUSTOMER	SHEET 1 of 1	REV A1