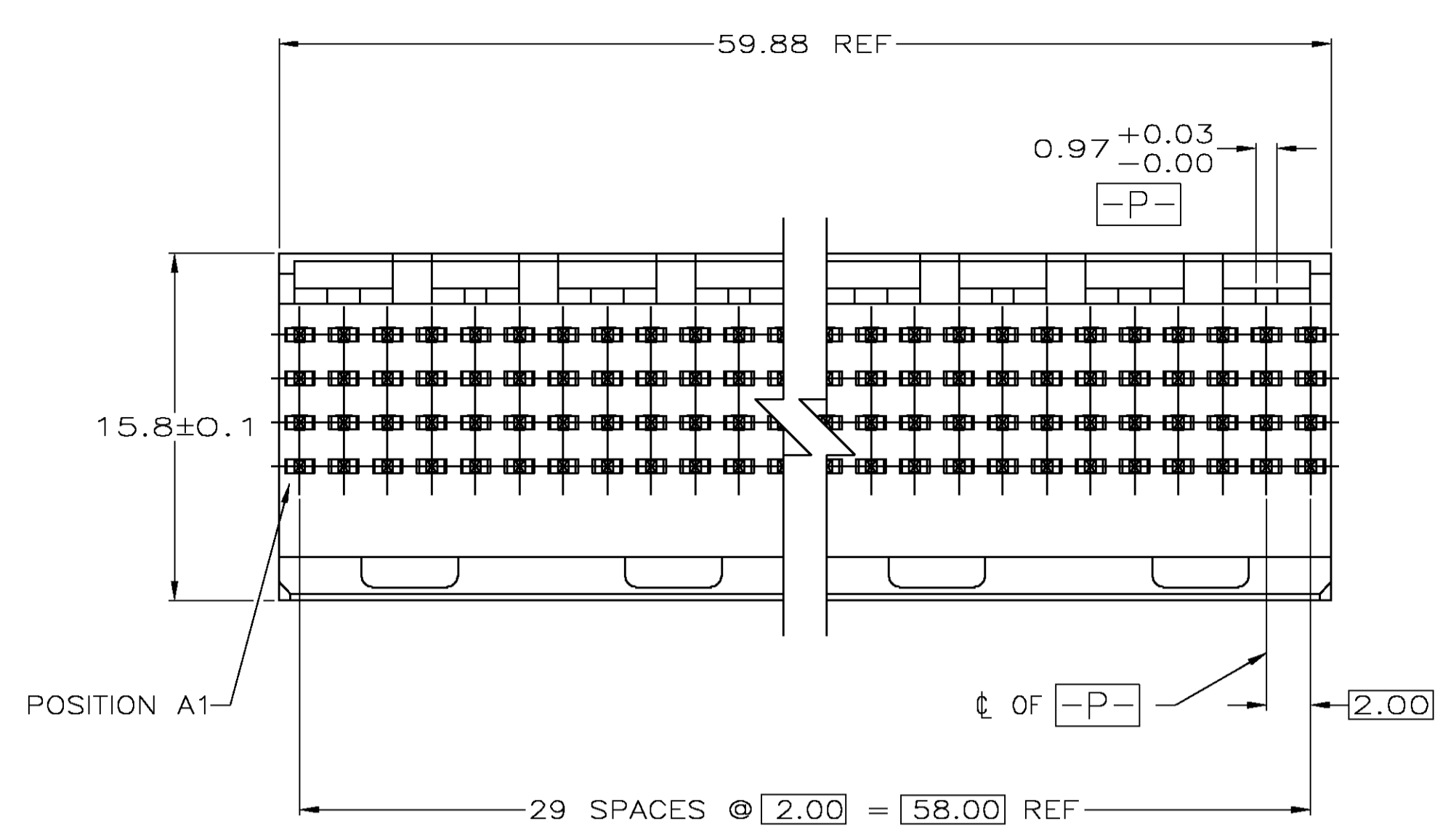
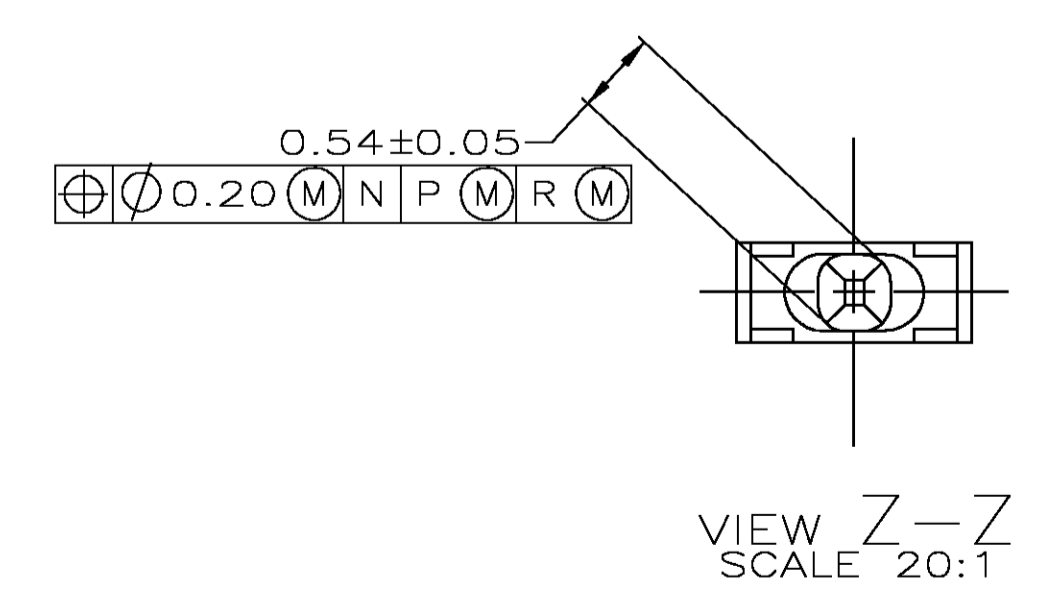
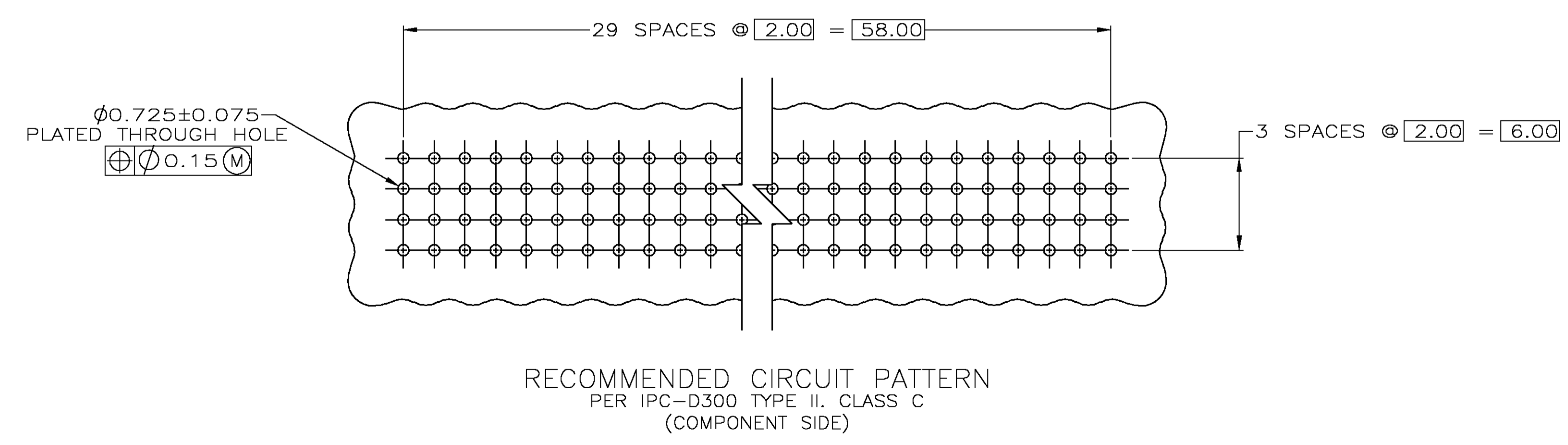
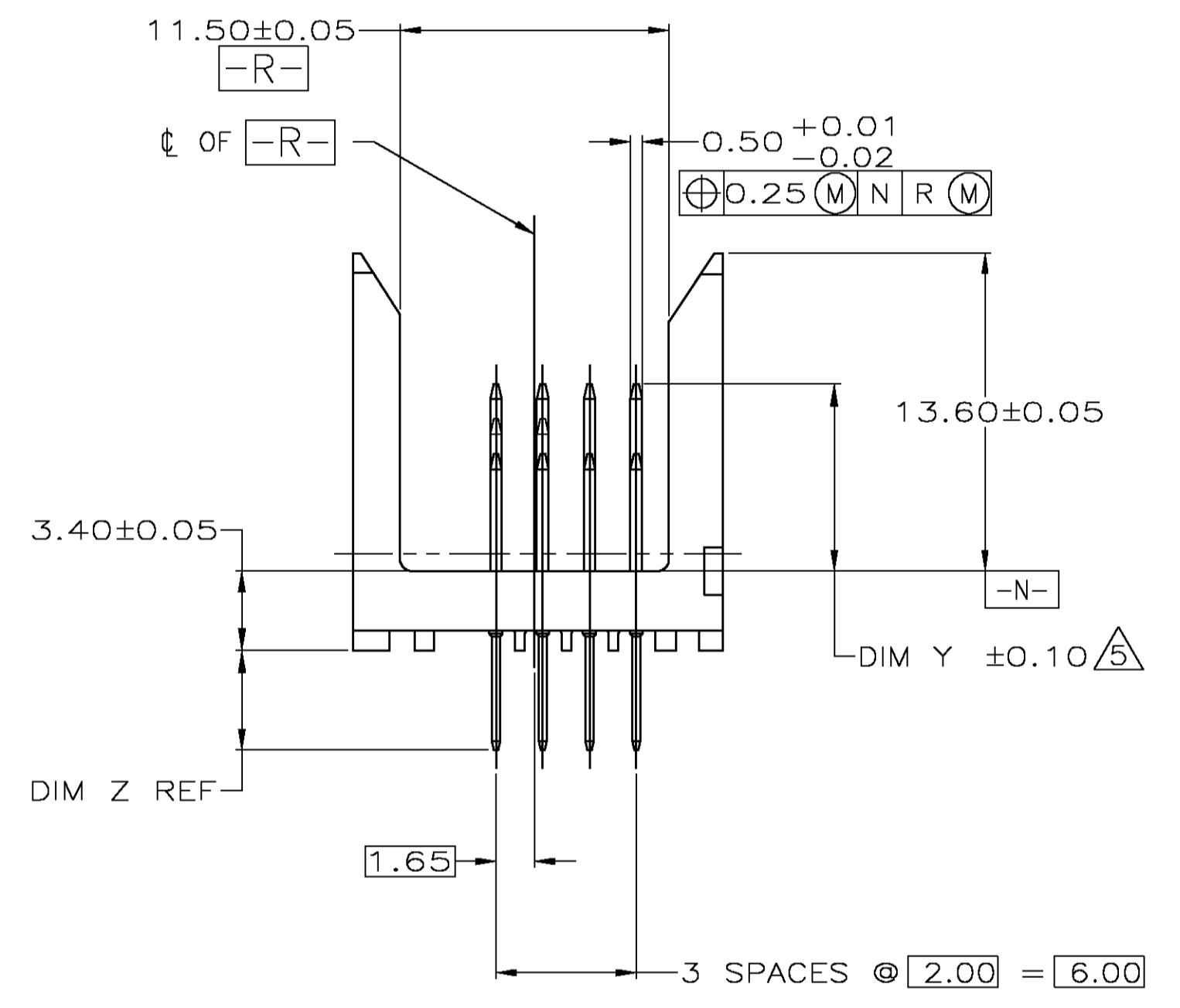
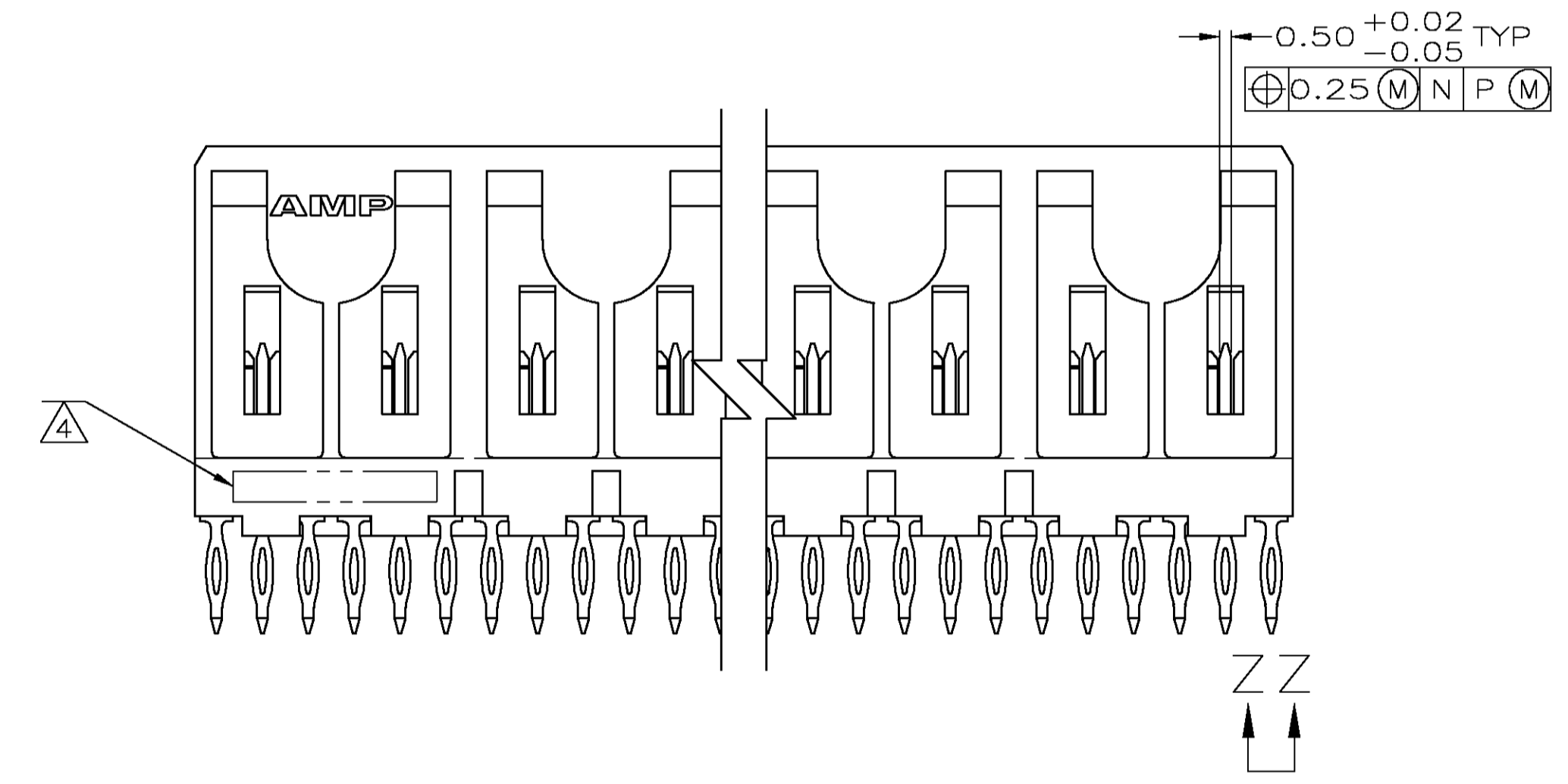


LOC		DIST		REVISIONS				
P	LTR	DATE	BY	APP'D	DESCRIPTION	DATE	BY	APP'D
0					RELEASED PER EC 0512-0235-04	07OCT04	BM	RW



- 1 HOUSING MATERIAL: LIQUID CRYSTAL POLYMER. COLOR: NATURAL.
- 2 CONTACT MATERIAL: PHOSPHOR BRONZE.
- 3 CONTACT FINISH:(B)  
UNDERPLATE (ENTIRE CONTACT):  
0.00127 MIN NICKEL PER SAE-AMS-QQ-N-290  
ON MATING SURFACES:  
CONFORMS TO ALL TESTING SPECIFIED FOR TELCORDIA UNCONTROLLED ENVIRONMENT.  
ON LEADS:  
0.0006 MIN MATTE TIN PER ASTM B 545 OVER UNDERPLATE.  
LUBRICATION (MIN MATING SURFACES):  
SURFACE CONDITIONER AFTER PLATING.
- 4 PART MARKING LOCATED APPROXIMATELY AS SHOWN.
- 5 DIMENSION APPLIES WHEN SEATED ON PRINTED CIRCUIT BOARD.



T	8.00	4.25
J	6.50	4.25
A	5.00	4.25
CONTACT LETTER	DIM Y	DIM Z

ROW	1	2	3	4	5	6	7	8	9	10	11	12	13	14	15	16	17	18	19	20	21	22	23	24	25	26	27	28	29	30	ROW
D	A	A	A	A	A	A	A	T	A	A	A	T	A	T	A	T	A	T	A	T	A	T	A	T	A	T	A	T	A	D	
C	A	A	A	A	A	A	A	T	A	A	A	T	A	T	A	T	A	T	A	T	A	T	A	T	A	T	A	T	A	C	
B	J	J	J	A	A	A	T	A	A	A	T	A	T	A	T	A	T	A	T	A	T	A	T	A	T	A	T	A	B		
A	J	J	J	A	A	A	T	A	A	A	T	A	T	A	T	A	T	A	T	A	T	A	T	A	T	A	T	A	A		

CONTACT LOAD CHART

THIS DRAWING IS A CONTROLLED DOCUMENT.		DIN T. SHUEY 8-4-98	Tyco Electronics Corporation	
DIMENSIONS: mm		CHK C. SCHMID 8-4-98	Harrisburg, Pa 17105-3608	
TOLERANCES UNLESS OTHERWISE SPECIFIED:		APP'D C. SCHMID 8-4-98	NAME	
0 PLC ± -			PIN ASSY,SIGNAL MODULE,Z-PACK 2mm FB,	
1 PLC ± -			2mm CL,4 ROW,120 POSN,PRESS FIT LEADS	
2 PLC ± 0.13			WITH 3 LEVELS OF SEQUENCING	
3 PLC ± -			APPLICATION SPEC	
4 PLC ± -			SIZE CASE CODE DRAWING NO	
ANGLES ± -			A1 00779 C=5536681	
MATERIAL	FINISH	WEIGHT	RESTRICTED TO	
	SEE TABLE	-	A1 00779 C=5536681	
			CUSTOMER DRAWING	SCALE 4:1 SHEET 1 OF 1 REV 0