

4

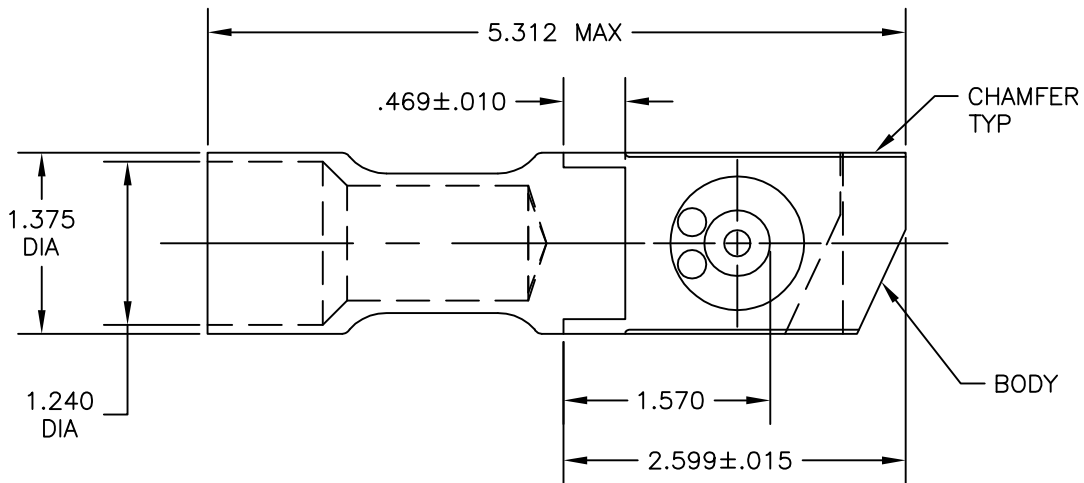
3

2

1

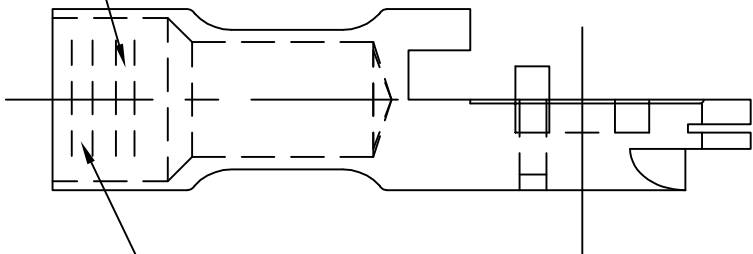
THIS DRAWING IS UNPUBLISHED. RELEASED FOR PUBLICATION
 © COPYRIGHT - By - ALL RIGHTS RESERVED.

LOC	DIST	REVISIONS			
P	LTR	DESCRIPTION	DATE	DWN	APVD
G	14	F	ECR-12-016122	17SEP2012	PK HS

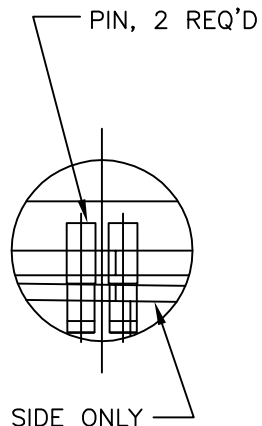


- 1 MATERIAL:
BODY & PIN: BRASS PER ASTM B36
- 2 FINISH:
BODY & PIN: .000100 MIN SILVER PLATE PER QQ-S-365.

STAMP
925/24



STAMP
AMP 350 MCM



53447-1
 PART NO

THIS DRAWING IS A CONTROLLED DOCUMENT.		DWN JR RUTH 09MAR2005	TE Connectivity AMPOWER, QUICK-DISCONNECT WIRE SIZE: 350 MCM														
DIMENSIONS: INCHES		CHK M SPICER 09MAR2005			NAME												
TOLERANCES UNLESS OTHERWISE SPECIFIED:		APVD M SPICER 09MAR2005	PRODUCT SPEC	RESTRICTED TO													
<table border="0"> <tr><td>0 PLC</td><td>± -</td></tr> <tr><td>1 PLC</td><td>± -</td></tr> <tr><td>2 PLC</td><td>± -</td></tr> <tr><td>3 PLC</td><td>± .008</td></tr> <tr><td>4 PLC</td><td>± -</td></tr> <tr><td>ANGLES</td><td>± 5°</td></tr> </table>		0 PLC	± -	1 PLC	± -	2 PLC	± -	3 PLC	± .008	4 PLC	± -	ANGLES	± 5°	APPLICATION SPEC	SIZE	CAGE CODE	DRAWING NO
0 PLC	± -																
1 PLC	± -																
2 PLC	± -																
3 PLC	± .008																
4 PLC	± -																
ANGLES	± 5°																
MATERIAL SEE NOTES		WEIGHT	A3	00779	C=53447												
FINISH SEE NOTES		CUSTOMER DRAWING		SCALE	SHEET	REV											
				1:1	1 OF 1	F											