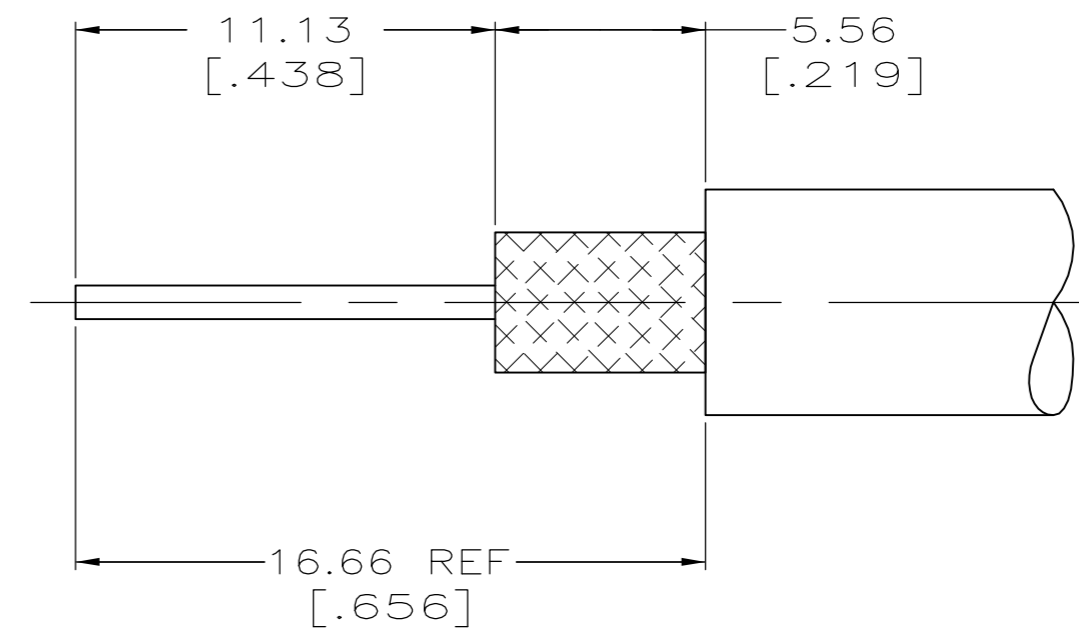
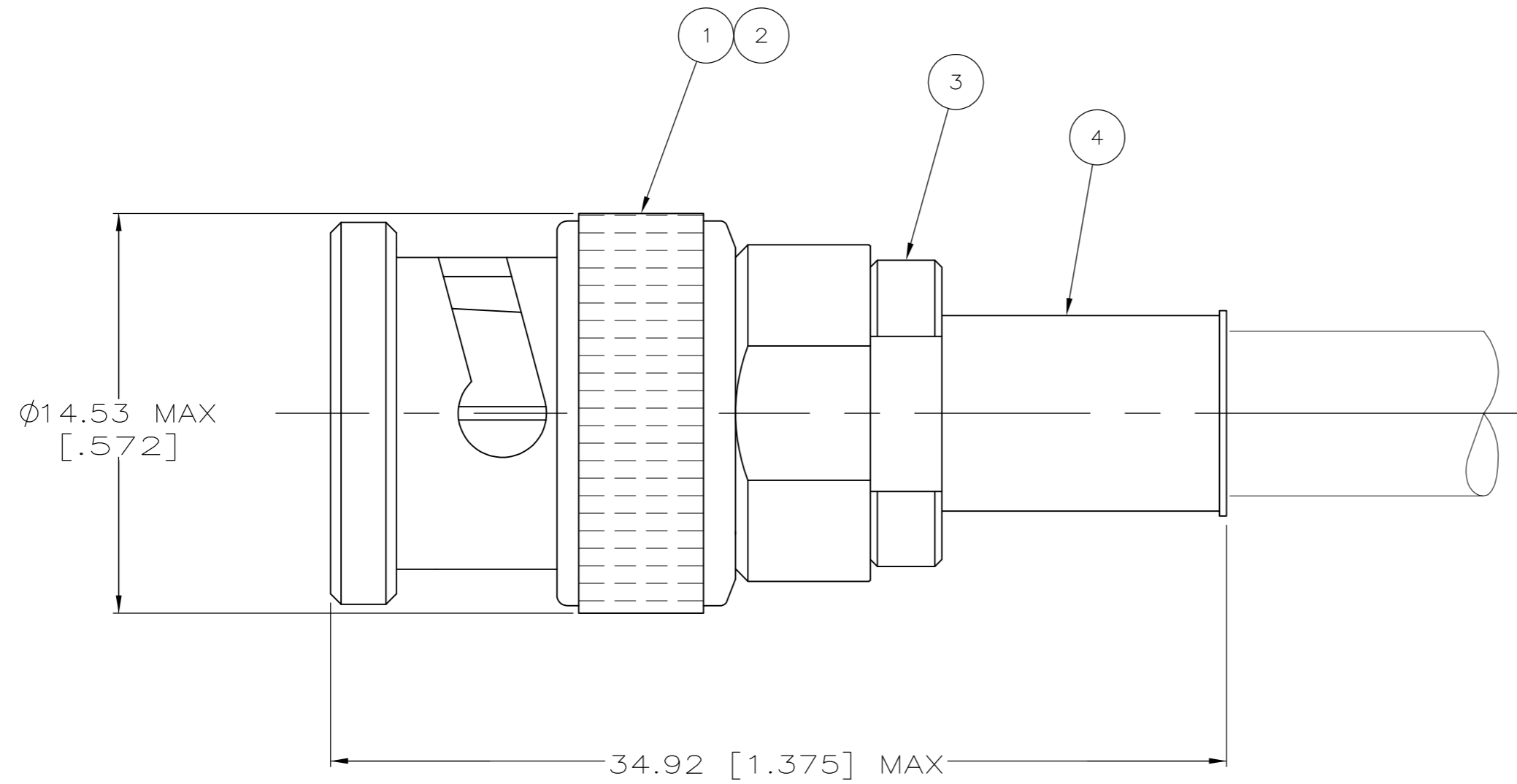


THIS DRAWING IS UNPUBLISHED. RELEASED FOR PUBLICATION
 © COPYRIGHT - TE Connectivity ALL RIGHTS RESERVED.

REVISIONS				
P	LTR	DESCRIPTION	DATE	APVD
A1		REVISED PER ECR-17-009545	08AUG2017	AS RS

1. USE INSTRUCTION SHEET 408-1799-1



RECOMMENDED STRIP LENGTH
NO SCALE

OBSOLETE	RG-142/U, 142A/U, 142B/U	69331-1	9-329099-2	9-50780-3	2-329106-1	9-329804-0	-2-5330358-2-
	CABLE	CRIMP TOOL	④ FERRULE QTY=1	③ CRIMP END ASSEMBLY QTY=1	② GASKET QTY=1	① PLUG ASSEMBLY QTY=1	PART NUMBER

THIS DRAWING IS A CONTROLLED DOCUMENT.		DWN B. MCMASTER 15DEC05																		
DIMENSIONS: mm [INCHES]		CHK J. LIPPERT 15DEC05																		
TOLERANCES UNLESS OTHERWISE SPECIFIED:		APVD J. LIPPERT 15DEC05																		
<table border="1"> <tr><td>0 PLC</td><td>±</td><td>-</td></tr> <tr><td>1 PLC</td><td>±</td><td>-</td></tr> <tr><td>2 PLC</td><td>±</td><td>0.41 [.016]</td></tr> <tr><td>3 PLC</td><td>±</td><td>-</td></tr> <tr><td>4 PLC</td><td>±</td><td>-</td></tr> <tr><td>ANGLES</td><td>±</td><td>-</td></tr> </table>		0 PLC		±	-	1 PLC	±	-	2 PLC	±	0.41 [.016]	3 PLC	±	-	4 PLC	±	-	ANGLES	±	-
0 PLC	±	-																		
1 PLC	±	-																		
2 PLC	±	0.41 [.016]																		
3 PLC	±	-																		
4 PLC	±	-																		
ANGLES	±	-																		
MATERIAL	FINISH	APPLICATION SPEC	NAME PLUG, BNC																	
-	-	WEIGHT 0.000000	SIZE A2																	
CUSTOMER DRAWING		CAGE CODE 00779	DRAWING NO C=5330358																	
		SCALE 5:1	RESTRICTED TO -																	
		SHEET 1 of 1	REV A1																	