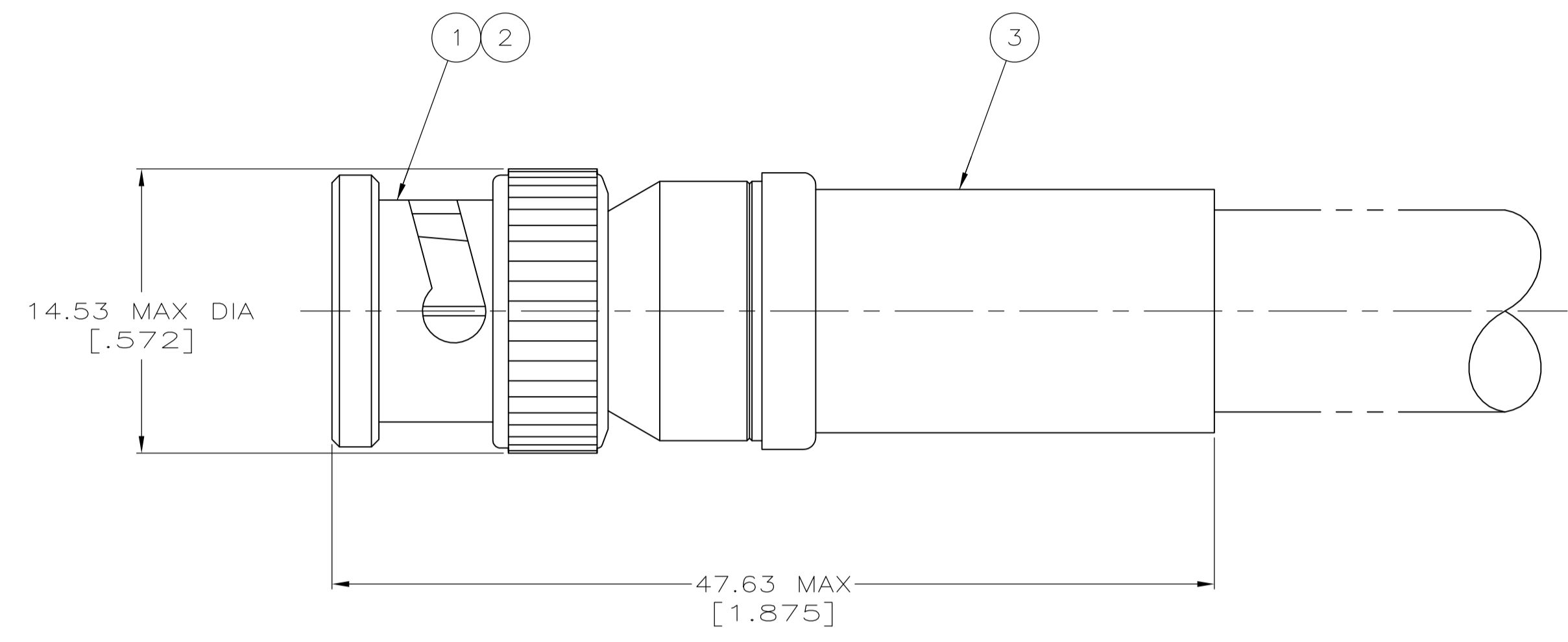
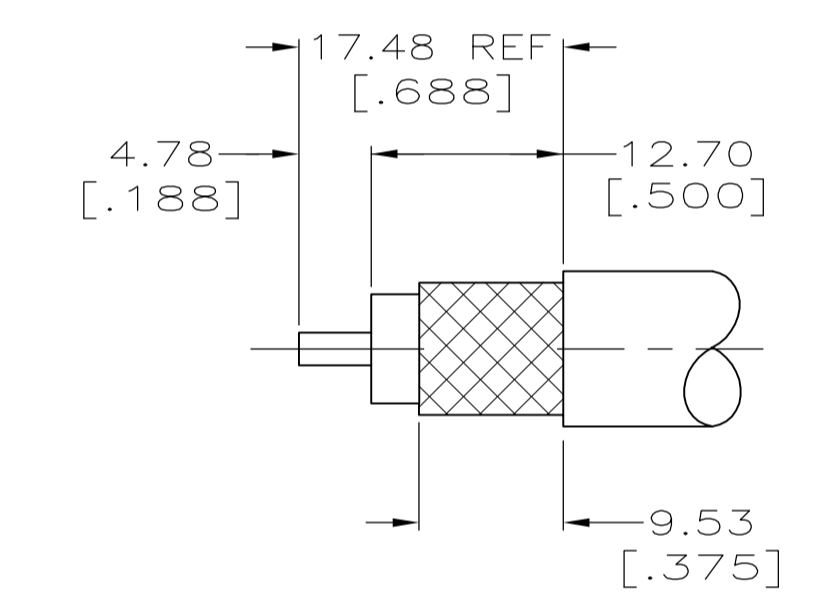
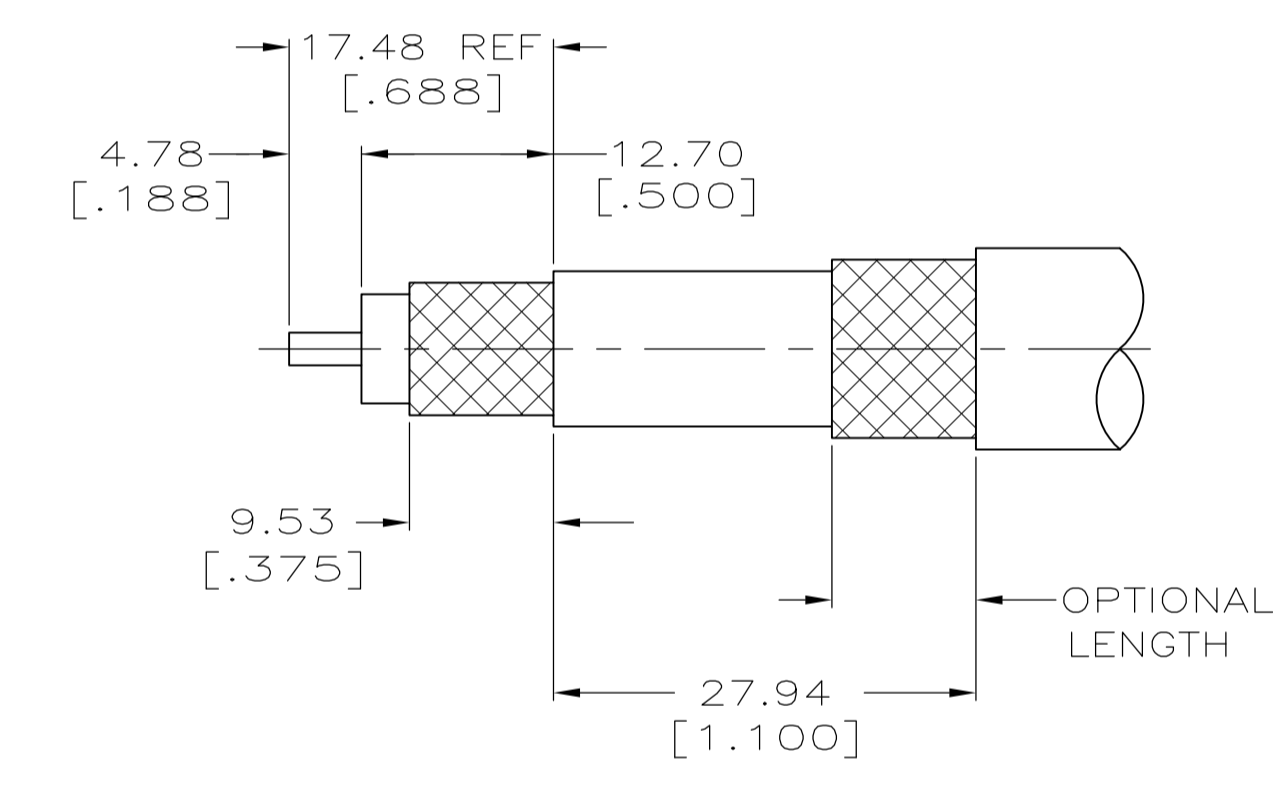


LOC		DIST		REVISIONS			
REV	DATE	BY	CHK	DESCRIPTION	DATE	DMN	APVD
AJ	16	A		REVISED PER ECO-06-012360	31MAY2006	KS	JL
		A1		REVISED PER ECO-09-024606	31OCT09	KK	AEG



- ⚠ FOR USE WITH, INTERCOMP RG-11/U TYPE CABLE, .068 DIA CENTER CONDUCTOR, .285 DIA DIELECTRIC, .385 O.D. JACKET, USE STRIP LENGTH A.
- ⚠ FOR USE WITH, BELDEN 8213 CABLE & THE COAX PORTION OF BELDEN 9232 CABLE, USE STRIP LENGTH B.
- 3. USE CRIMPING TOOL: 220015-1.
- 4. SEE I.S. 408-1914-1
- ⚠ RG-9/U, RG-9A/U, RG-9B/U, RG-214/U, RG-8/U, RG-8A/U, RG-213/U
- ⚠ OBSOLETE PARTS: OBSOLETE CIS STREAMLINING PER D.RENAUD/D.SINISI



VIEW A

VIEW B

RECOMMENDED STRIP LENGTH
 SCALE 2:1

⚠ OBSOLETE	TIMES FM-8	B, SEE CABLE	9-51713-0	225526-6	225887-2	5225886-7
	RG-11/U	A OR B, SEE CABLE	9-51713-0	225596-4	225887-2	5225886-6
		B, SEE CABLE	9-51713-4	225526-4	9-225887-0	5225886-4
		B, SEE CABLE	9-51713-4	225596-2	9-225887-0	5225886-1
FOR USE WITH CABLE:	VIEW	③ FERRULE QTY=1	② CONTACT QTY=1	① PLUG ASSY QTY=1	PART NUMBER	

THIS DRAWING IS A CONTROLLED DOCUMENT.

DIMENSIONS: mm [INCHES]	TOLERANCES UNLESS OTHERWISE SPECIFIED:	DIN A. FERNANDEZ-DOCKS 31JAN2005	Tyco Electronics Corporation Harrisburg, PA 17105-3608
0 PLC ± -	1 PLC ± -	CHK J. HAVENER 31JAN2005	
2 PLC ± 0.41 [016]	3 PLC ± -	APVD J. LIPPERT 31JAN2005	NAME
4 PLC ± -	ANGLES ± -		PLUG, DUAL CRIMP SERIES BNC
MATERIAL -	FINISH -	SIZE -	RESTRICTED TO
		WEIGHT -	A1 00779 C=5225886
		CUSTOMER DRAWING	SCALE 4:1 SHEET 1 OF 1 REV A1