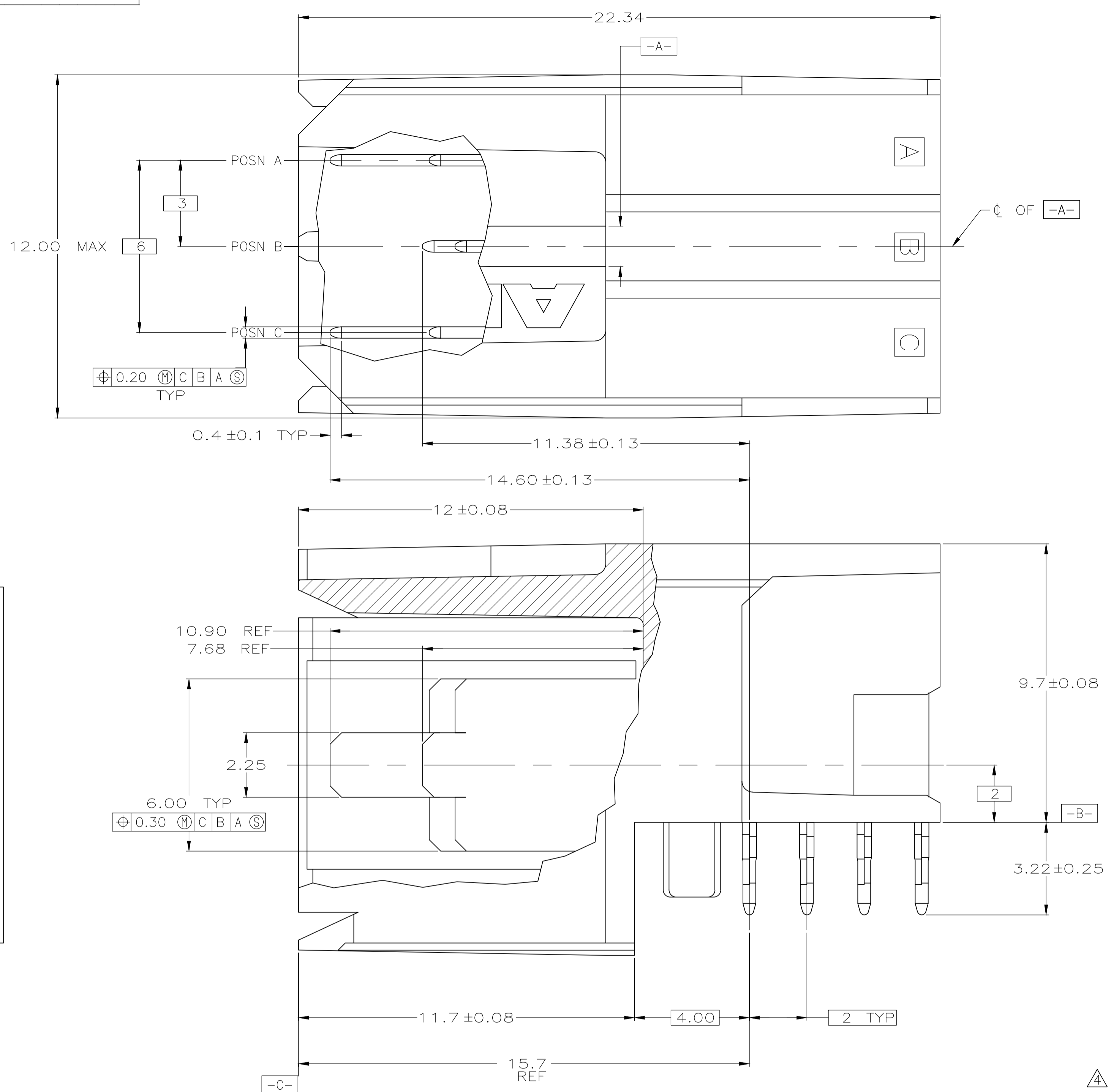
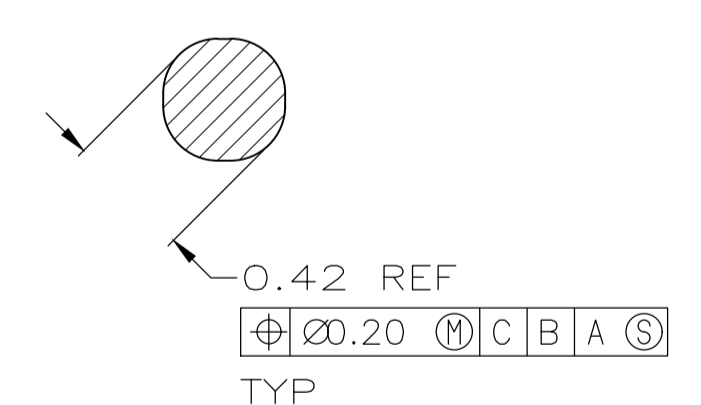
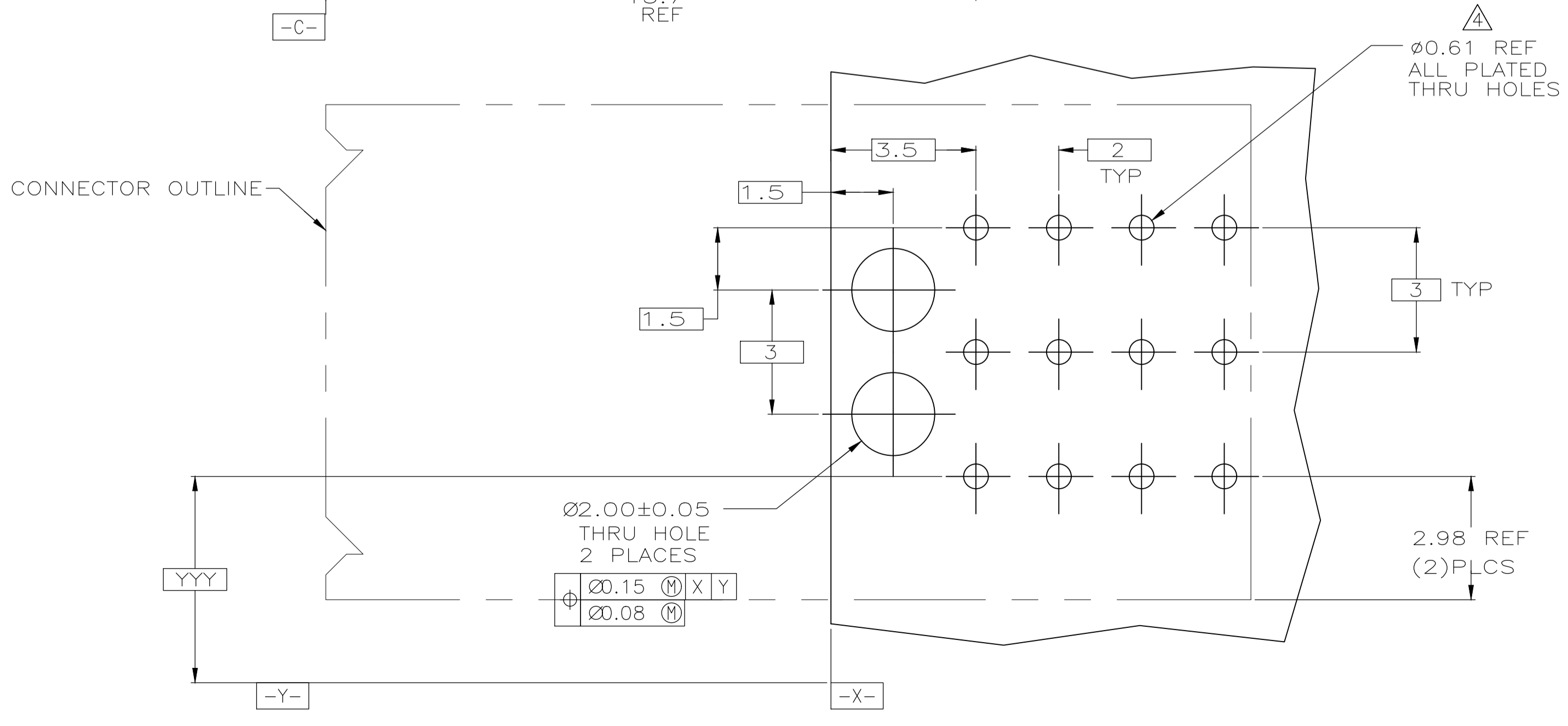
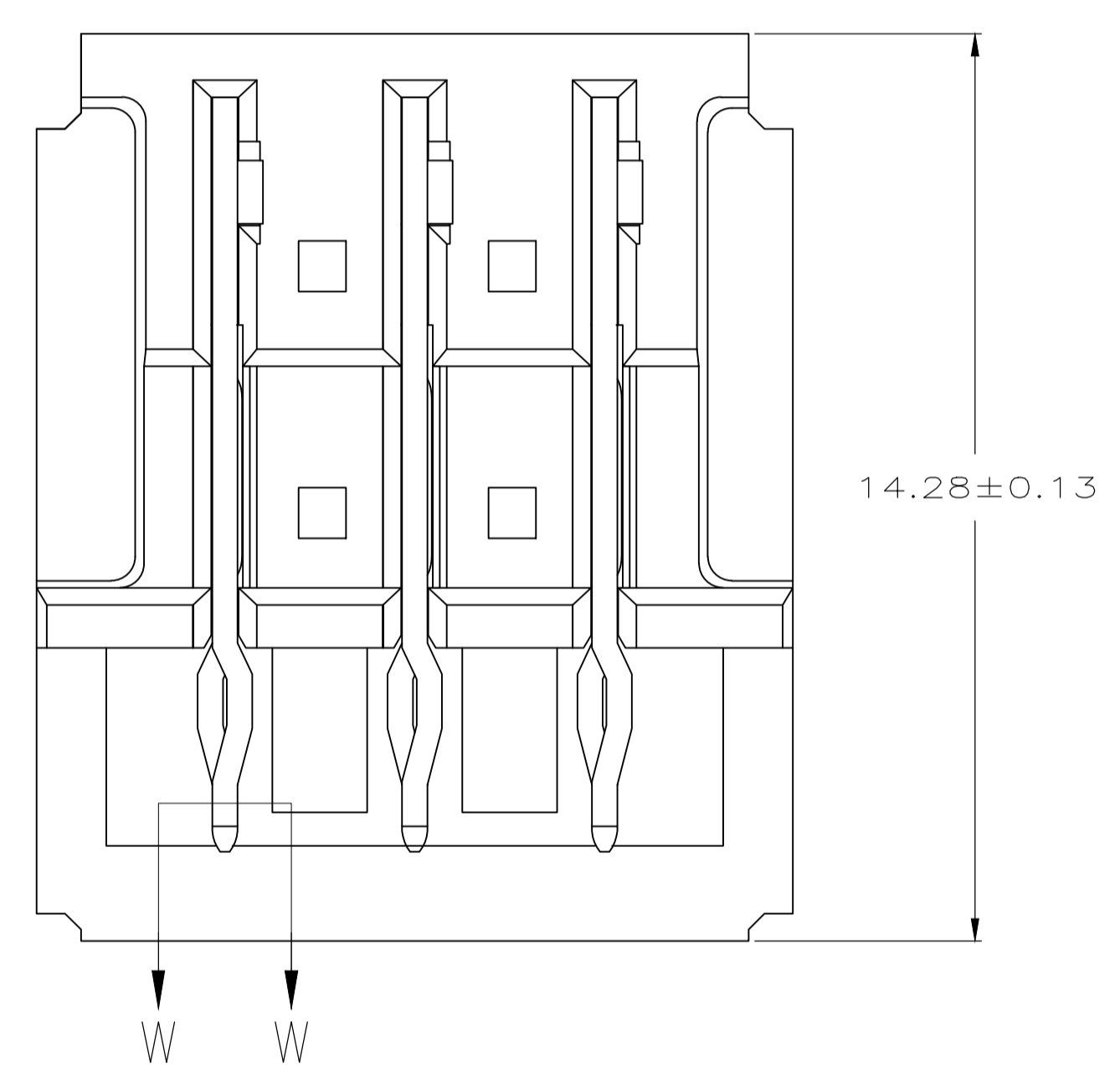
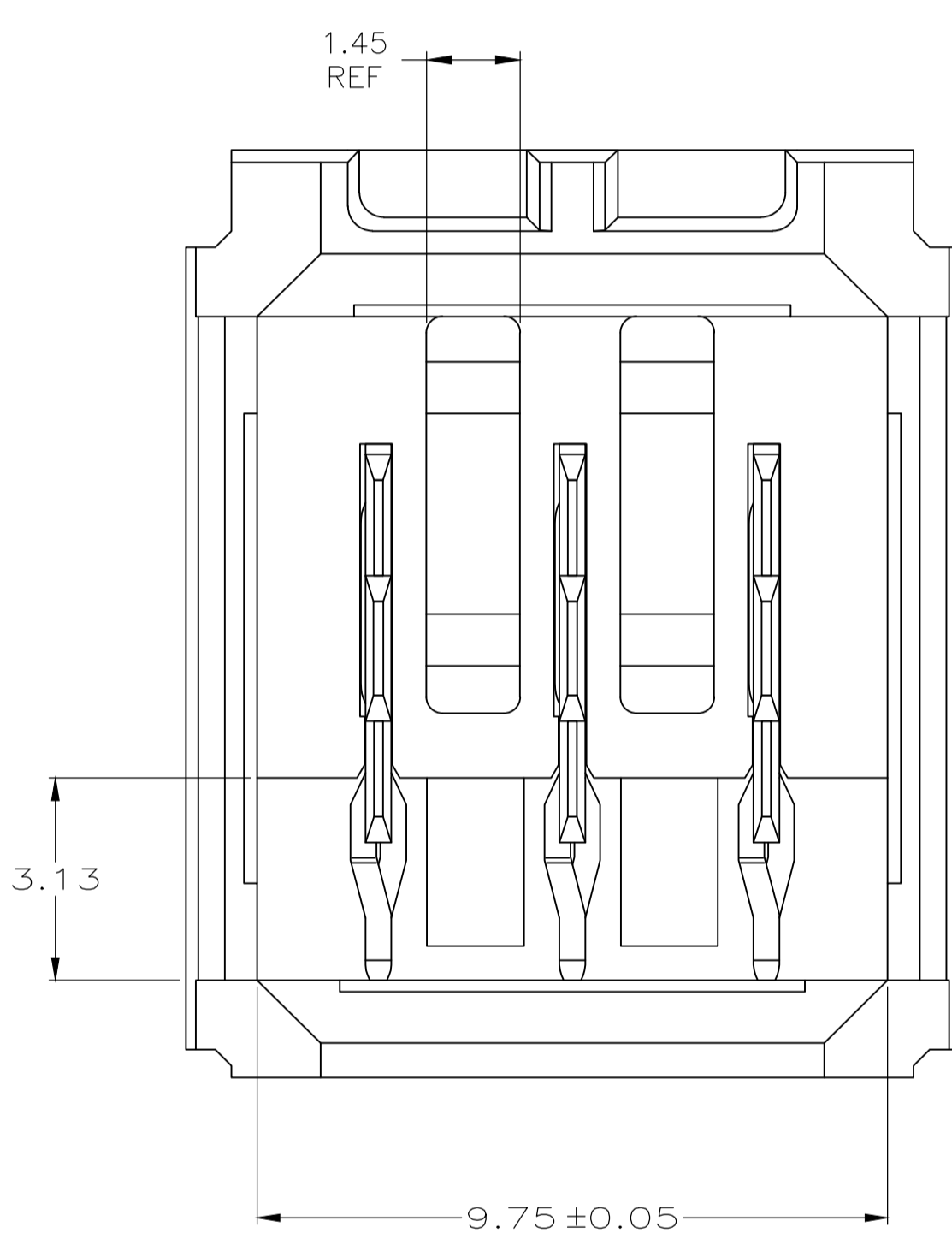


| LOC |    | DIST |     | REVISIONS     |             |           |     |      |
|-----|----|------|-----|---------------|-------------|-----------|-----|------|
| AD  | 00 | REV  | PER | ECO           | DESCRIPTION | DATE      | DWN | APVD |
| C1  |    | REV  | PER | ECO-20-004668 |             | 02JUN2020 | ML  | SZ   |



- ⚠ MATERIAL: HOUSING: POLYESTER. COLOR: GRAY. UL 94V-0. CONTACT: PHOSPHOR BRONZE.
- ⚠ FINISH: IN ACCORDANCE WITH PRODUCT SPECIFICATION 108-1651, GOLD PLATING OR EQUIVALENT PLATING ON PRODUCT CONTACT MATING AREA, AND MATTE TIN PLATING ON COMPLIANT PIN AREA, ALL OVER MATTE NICKEL UNDERPLATED. DETAIL PLEASE REFER TO PRODUCT SPECIFICATION 108-1651.
- ⚠ FINISH: CONTACT LUBRICATION WITH BELLCORE APPROVED LUBRICANT. TECHNICAL REFERENCE: TR-NWT-001217 ISSUE 1, SEPT 1992.
- ⚠ REFERENCE APPLICATION SPEC 114-1103 FOR RECOMMENDED PLATED THRU HOLE DIAMETER AND PLATING THICKNESS.
- 5 CURRENT RATING 10A/CONTACT PER PRODUCT SPEC 108-1651.



SECTION W-W  
SCALE 40:1

5223972-1  
PART NUMBER

|  |  |                            |   |  |
|--|--|----------------------------|---|--|
| THIS DRAWING IS A CONTROLLED DOCUMENT. |  | DIN: B. CARBO 130EC04      | Tyco Electronics Corporation<br>Harrisburg, PA 17105-3608 |  |
| DIMENSIONS: MM                         |  | CHK: R. PATTERSON 130EC04  | NAME: R. PATTERSON 130EC04                                |  |
| TOLERANCES UNLESS OTHERWISE SPECIFIED: |  | PRODUCT SPEC: 108-1651     |   |  |
| 0. PLC ± -                             |  | APPLICATION SPEC: 114-1103 |   |  |
| 1. PLC ± 0.13                          |  | SIZE: A1                   |   |  |
| 2. PLC ± 0.13                          |  | CASE CODE: 00779           |   |  |
| 3. PLC ± -                             |  | DRAWING NO: C=5223972      |   |  |
| 4. PLC ± -                             |  | RESTRICTED TO: -           |   |  |
| ANGLES ± -                             |  | WEIGHT: -                  |   |  |
| MATERIAL: ⚠                            |  | CUSTOMER DRAWING           |   |  |
| FINISH: ⚠                              |  | SCALE: 10:1                |   |  |
|  |  | SHEET: 1 of 1              |   |  |
|  |  | REV: C1                    |   |  |