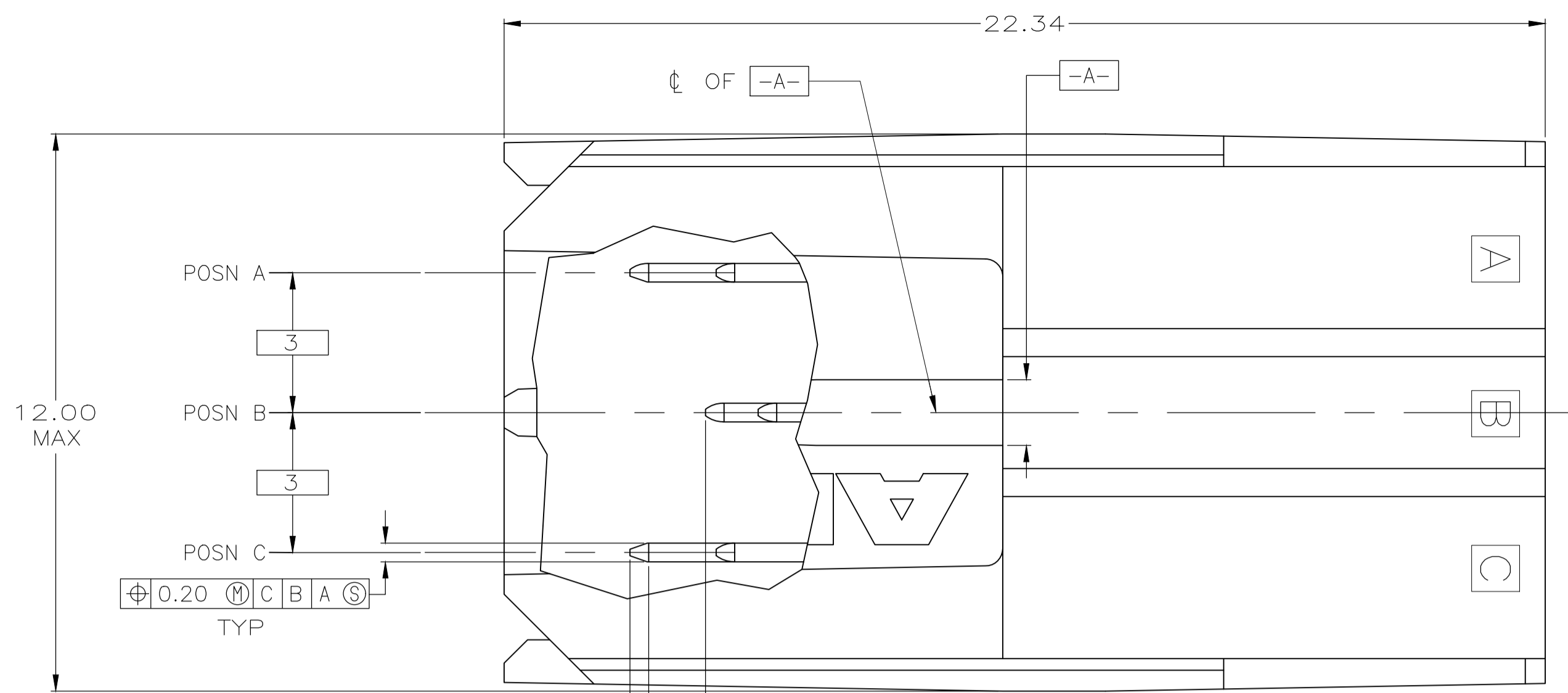
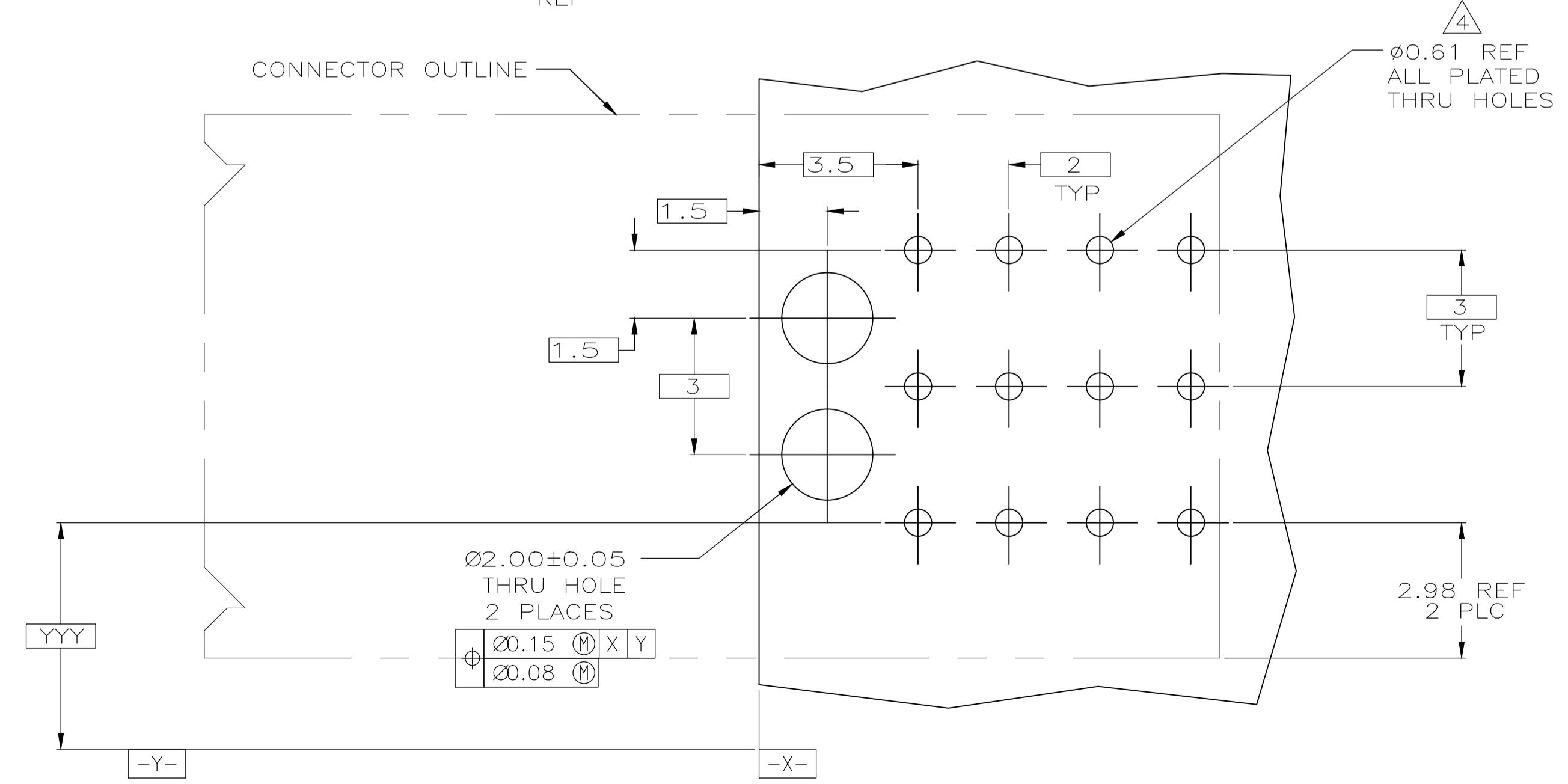
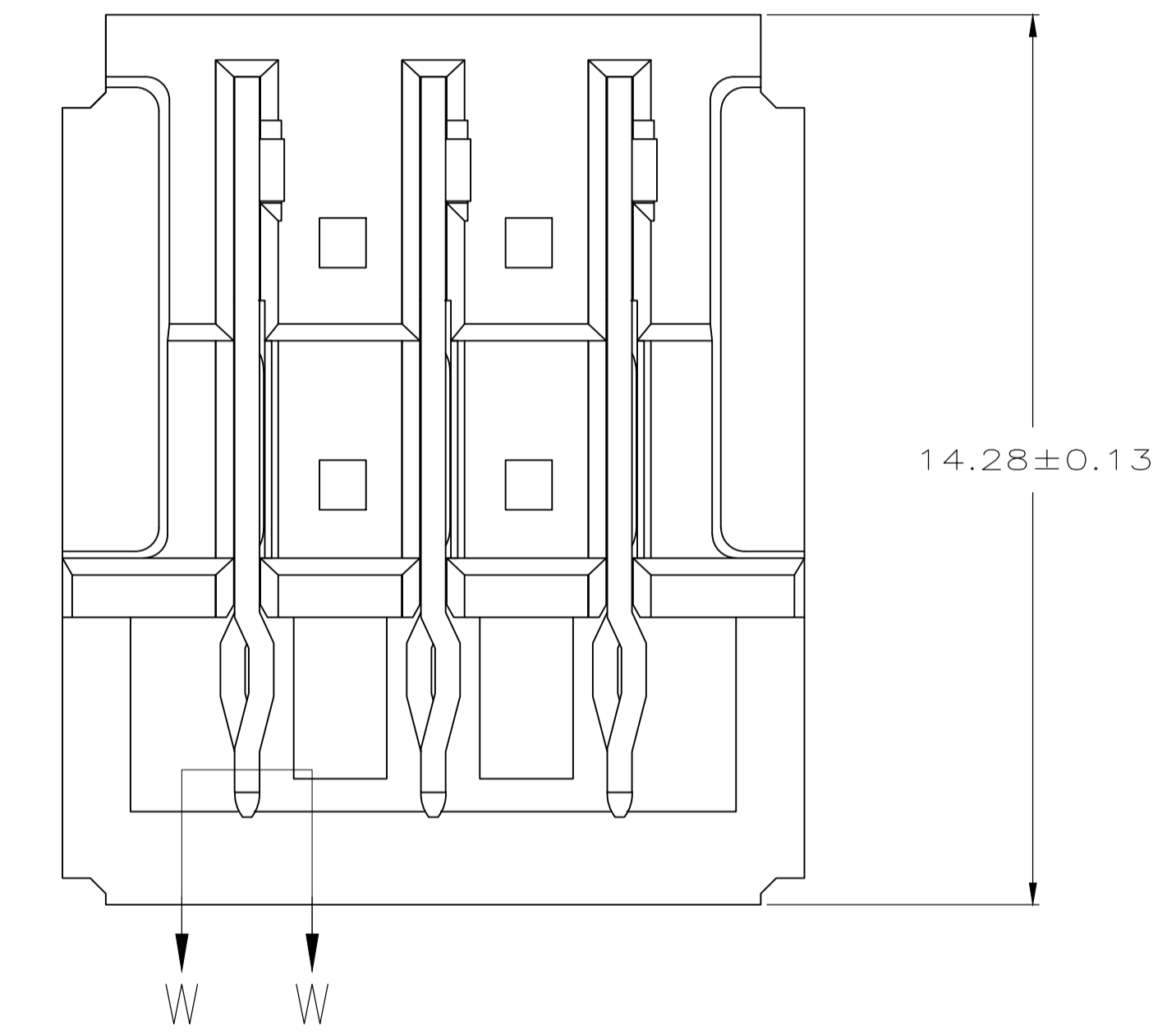
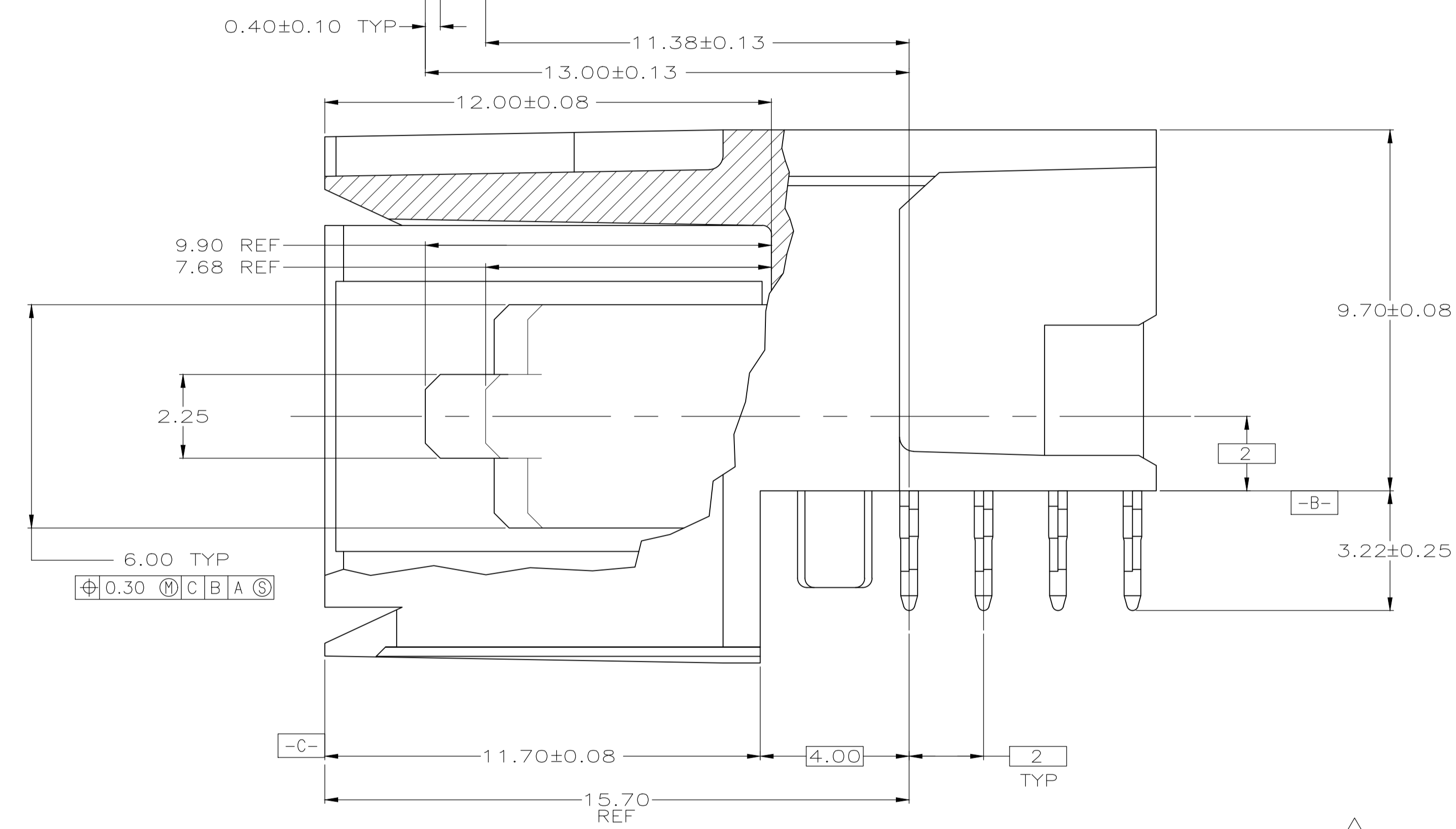
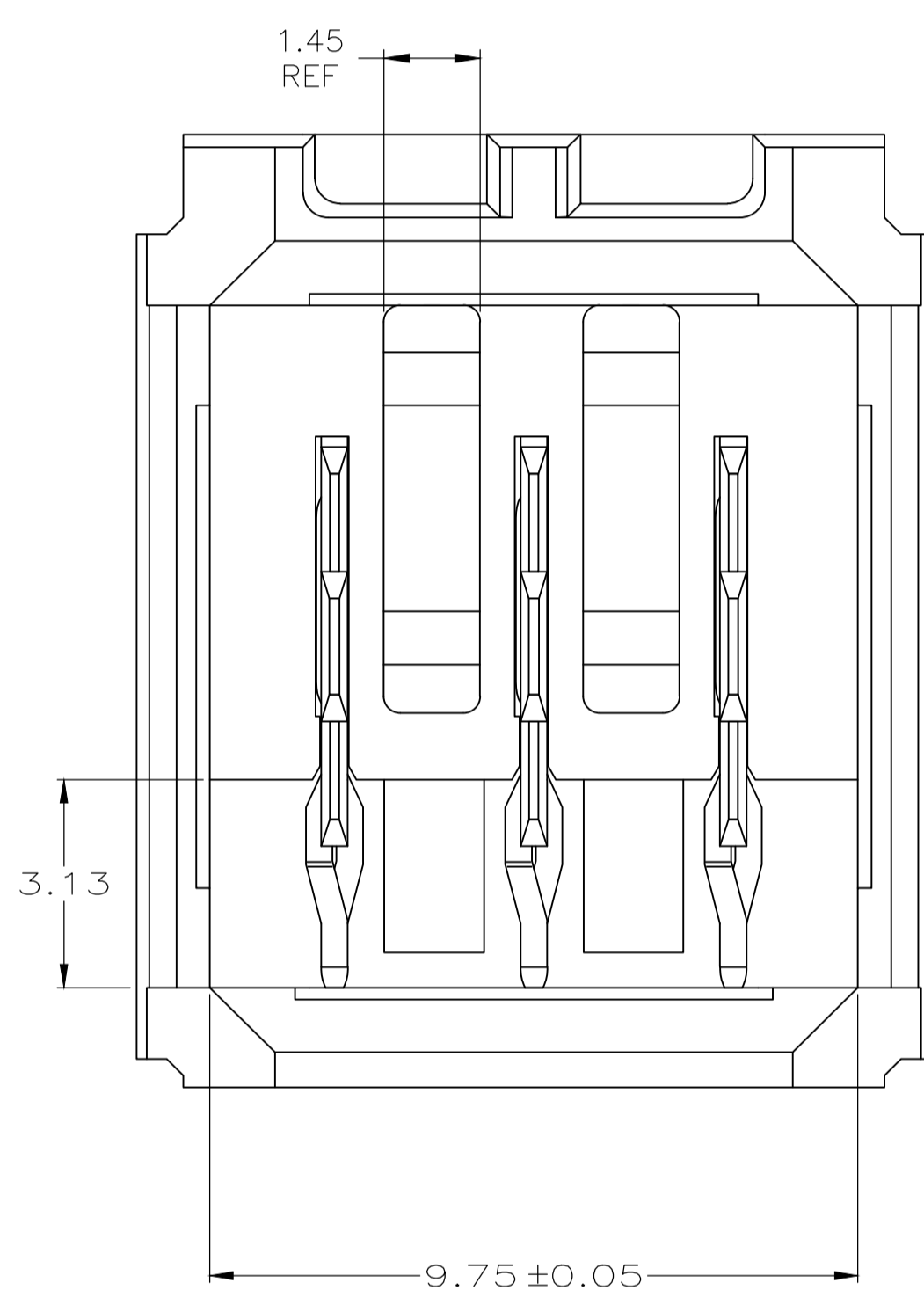


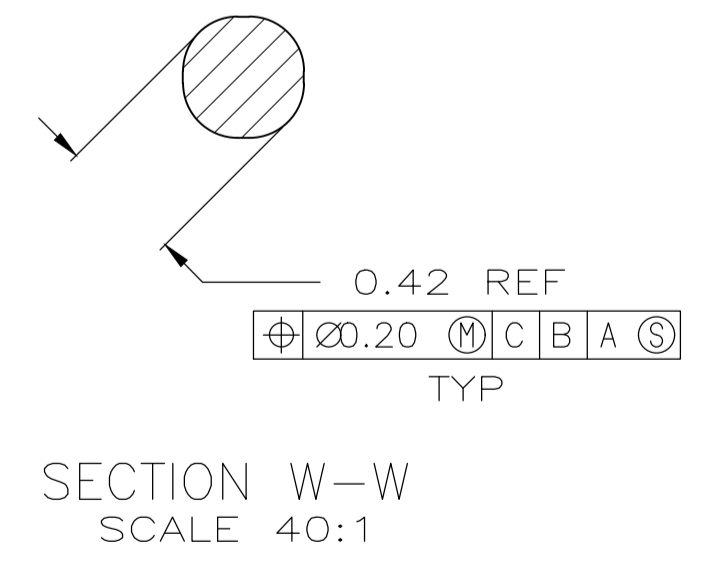
REVISIONS				
P	LTR	DESCRIPTION	DATE	APP'D
C1	REV PER ECO-20-004668		08JUN2020	ML SZ



- 1 MATERIAL: HOUSING: POLYESTER. COLOR: GRAY. UL 94V-0. CONTACT: PHOSPHOR BRONZE.
- 2 FINISH: IN ACCORDANCE WITH PRODUCT SPECIFICATION 108-1651, GOLD PLATING OR EQUIVALENT PLATING ON PRODUCT CONTACT MATING AREA, AND MATTE TIN PLATING ON COMPLIANT PIN AREA, ALL OVER MATTE NICKEL UNDERPLATED. DETAIL PLEASE REFER TO PRODUCT SPECIFICATION 108-1651.
- 3 FINISH: CONTACT LUBRICATION WITH BELLCORE APPROVED LUBRICANT. TECHNICAL REFERENCE: TR-NWT-001217 ISSUE 1, SEPT 1992.
- 4 REFERENCE APPLICATION SPEC 114-1103 FOR RECOMMENDED PLATED THRU HOLE DIAMETER AND PLATING THICKNESS.
- 5 CURRENT RATING 10A/CONTACT PER PRODUCT SPEC 108-1651.



4 Ø0.61 REF ALL PLATED THRU HOLES



RECOMMENDED PCB HOLE LAYOUT

5223965-1  
PART NUMBER

THIS DRAWING IS A CONTROLLED DOCUMENT.		DIN B CARBO 108EC04	TE Connectivity	
DIMENSIONS: mm		CIR R PATTERSON 108EC04		
TOLERANCES UNLESS OTHERWISE SPECIFIED:		APP'D R PATTERSON 108EC04	NAME	
0 PLC ± -	1 PLC ± -	PRODUCT SPEC		
2 PLC ± 0.13	3 PLC ± -	108-1651		
4 PLC ± -	ANGLES ± -	APPLICATION SPEC		
MATERIAL		114-1103	SIZE	CAGE CODE DRAWING NO
FINISH		0.000000	A1	00779C=5223965
CUSTOMER DRAWING		SCALE 10:1	SHEET 1 of 1	REV C1