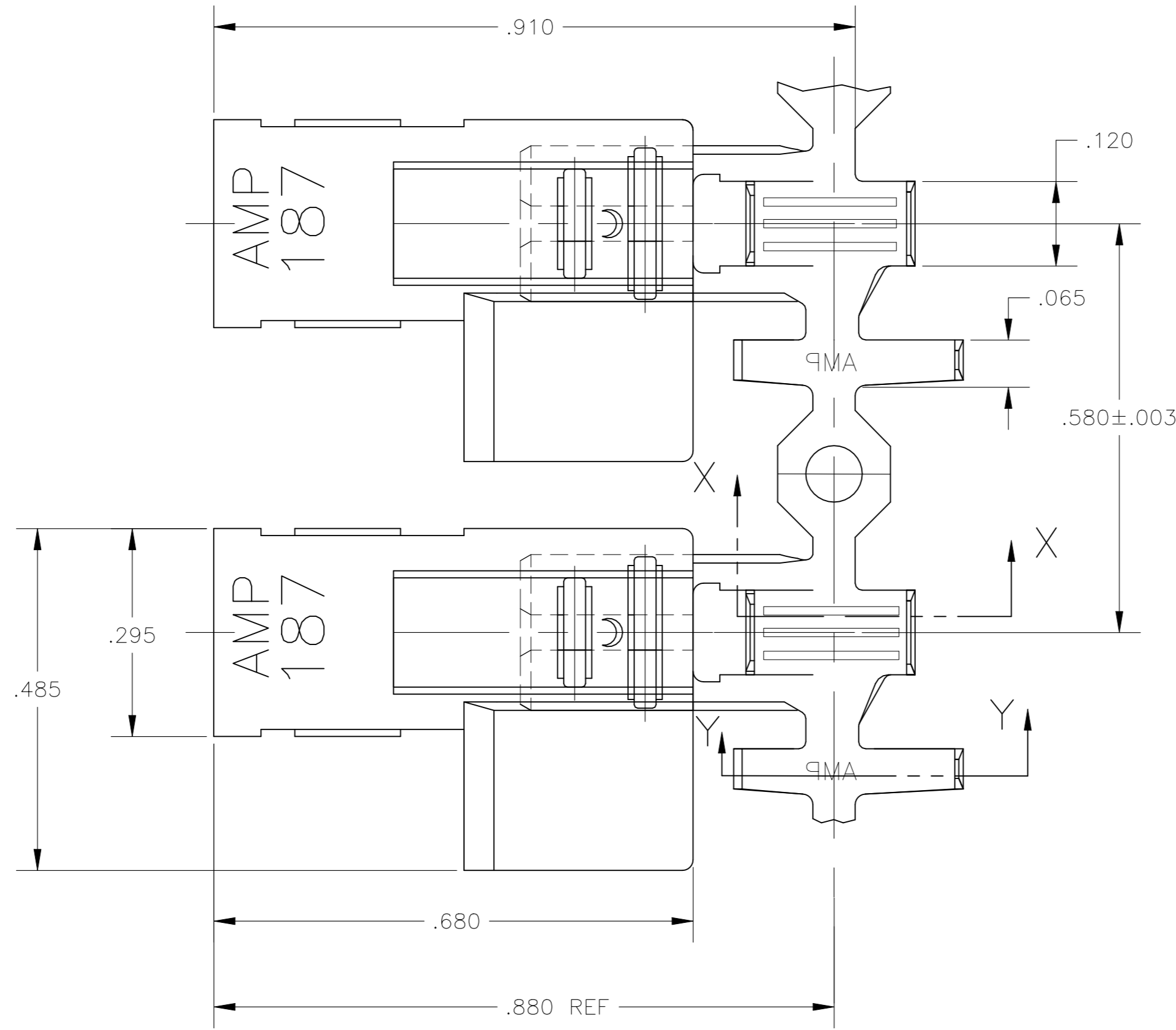
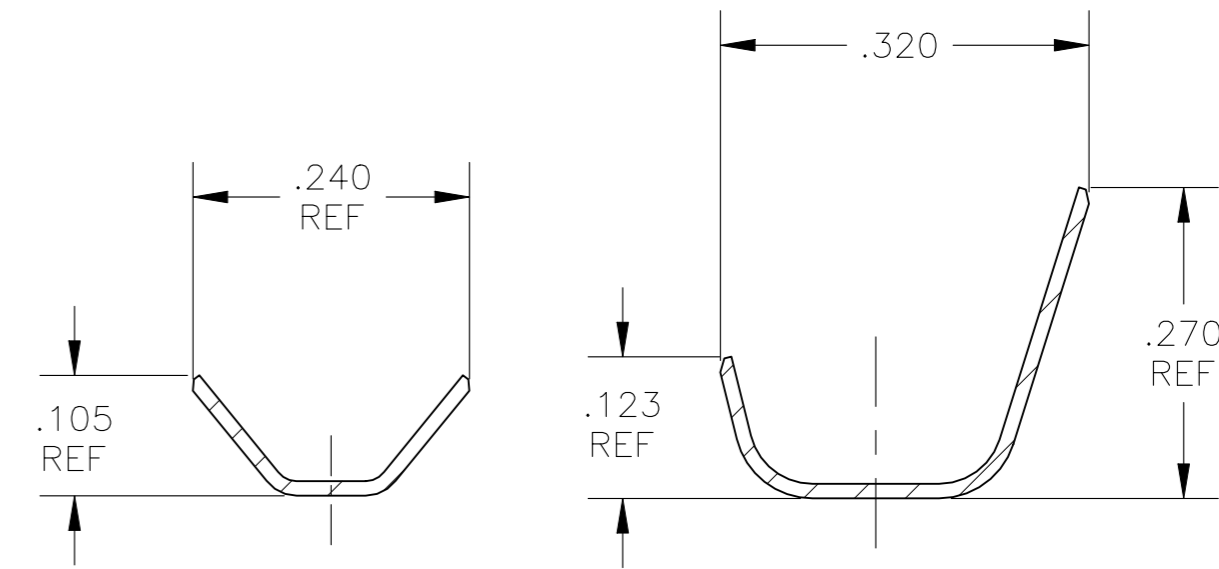


REVISIONS					
P	LTR	DESCRIPTION	DATE	DWN	APVD
H2		REVISED PER ECR-22-160893	15DEC2022	DB	BW

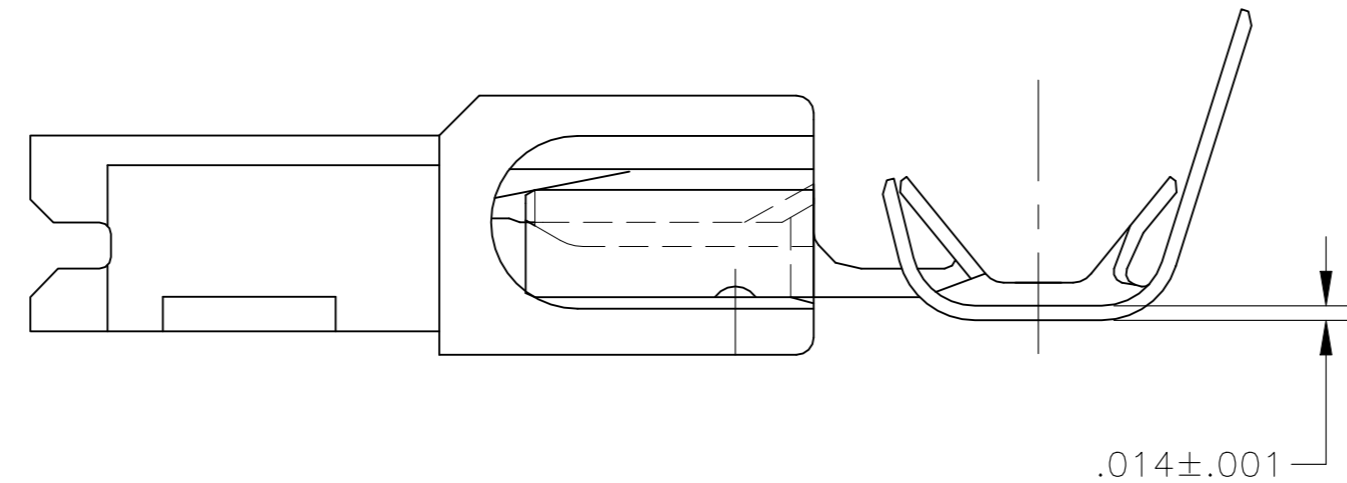
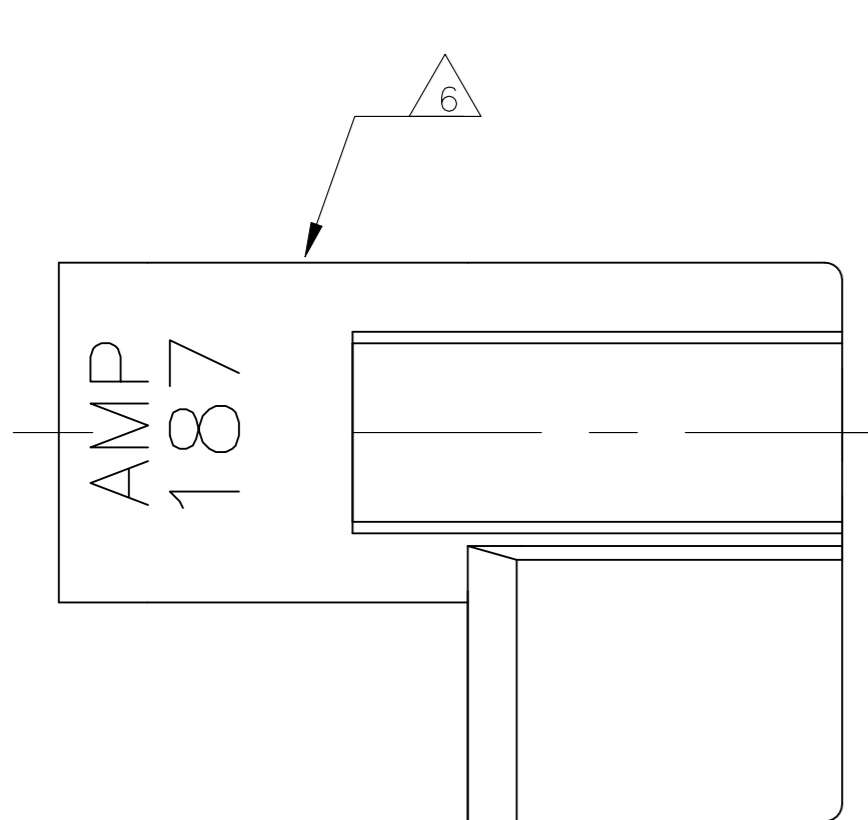


- 2 WIRE SIZES & COMBINATIONS: #18, #16, #14, (2)#20, (2)#18
- 3 INSULATION RANGE IS .110-.150 DIA OR TWO AT .110 MAX DIA.
- 4 MATERIAL;  
TERMINAL: BRASS, FINISH SEE TABLE  
HOUSING: 6/6 NYLON, V2, NATURAL COLOR
- 5 FITS .187 X .020±.001 THK FASTON TAB
- 6 ALTERNATIVE HOUSING FORM
- 7 PREPRODUCTION - FASR REQ



SECTION X-X

SECTION Y-Y



SUPERSEDED BY 521471-2

TIN PLATE	521471-2
NO PLATING	521471-1
TERMINAL: FINISH	PART NO.

THIS DRAWING IS A CONTROLLED DOCUMENT.		DWN	JR RUTH	30JUL03
DIMENSIONS: INCHES		CHK	J HUMMEL	24JUL03
TOLERANCES UNLESS OTHERWISE SPECIFIED:		APVD	KRISTY YI	24JUL03
0 PLC ± -		PRODUCT SPEC	108-2215	
1 PLC ± -		APPLICATION SPEC	114-2124	
2 PLC ± -		WEIGHT	0.000000	
3 PLC ± .010		SIZE	A2	
4 PLC ± -		CAGE CODE	00779	
ANGLES ± -		DRAWING NO	C=521471	
FINISH		RESTRICTED TO	-	
SEE NOTES		SCALE	6:1	
MATERIAL		SHEET	1 of 1	
SEE NOTES		REV	H2	
CUSTOMER DRAWING				

**TE** TE Connectivity

ASSEMBLY, RECPT, FLAG, ULTRA-POD, .187 SERIES  
18-14 AWG, V2 HOUSING