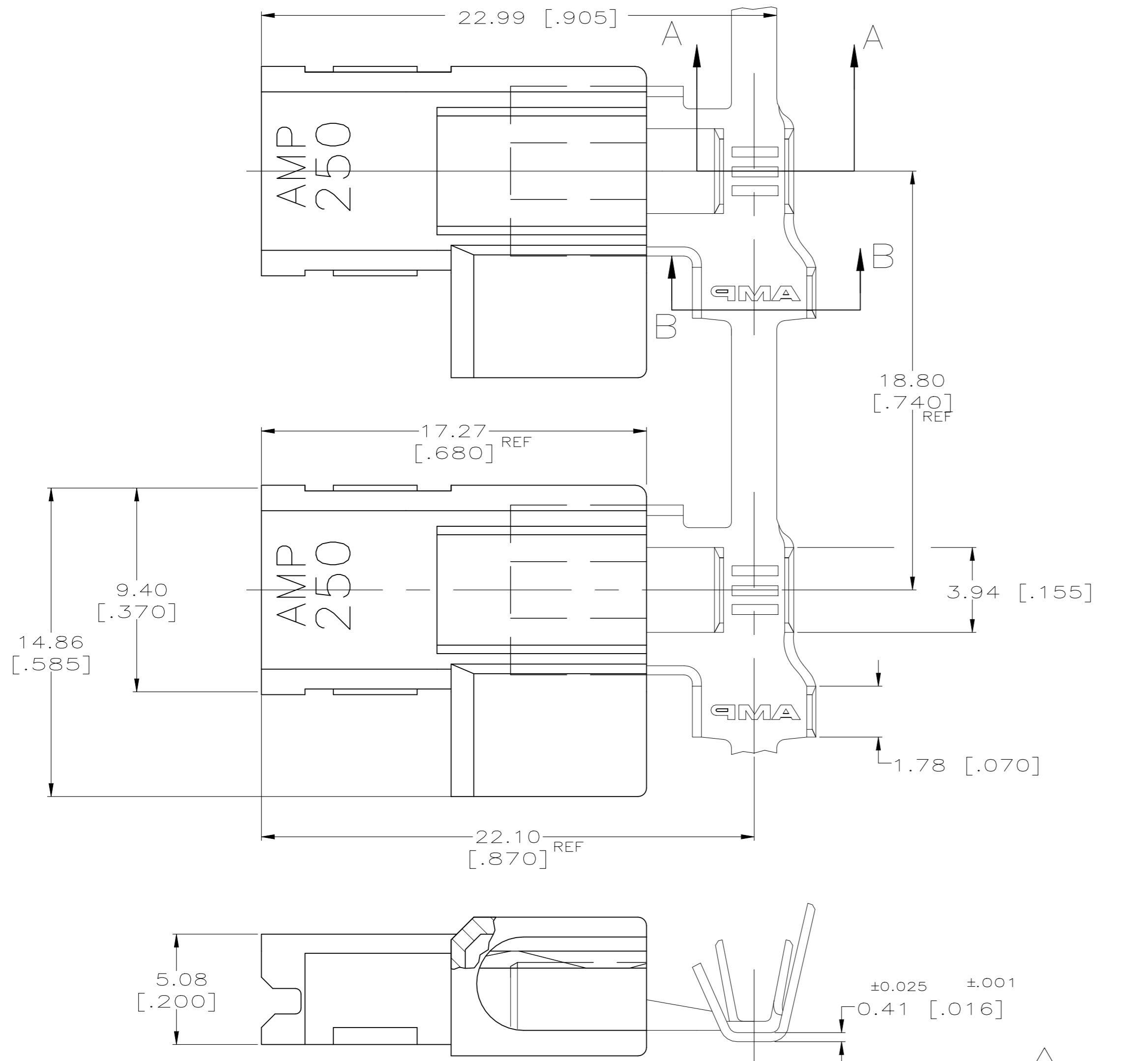
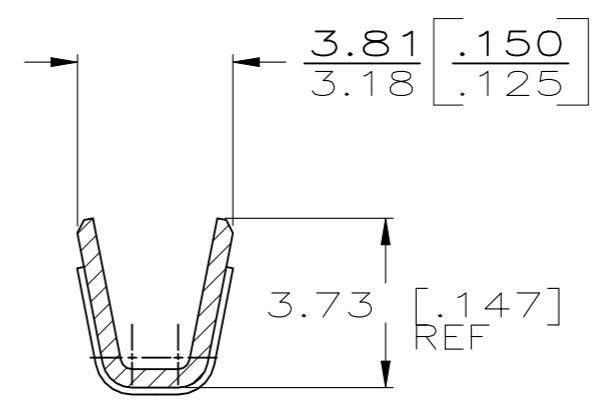


THIS DRAWING IS UNPUBLISHED. RELEASED FOR PUBLICATION  
 © COPYRIGHT BY TYCO ELECTRONICS CORPORATION. ALL RIGHTS RESERVED.

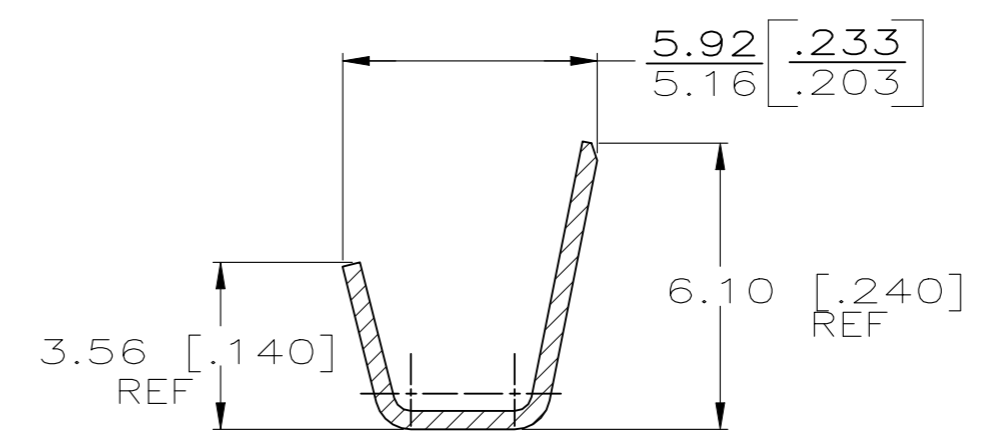
LOC	DIST	REVISIONS			
P	LTR	DESCRIPTION	DATE	DWN	APVD
AF	50				
		C2	REV PER ECR-23-171758	13APR23	DB BW



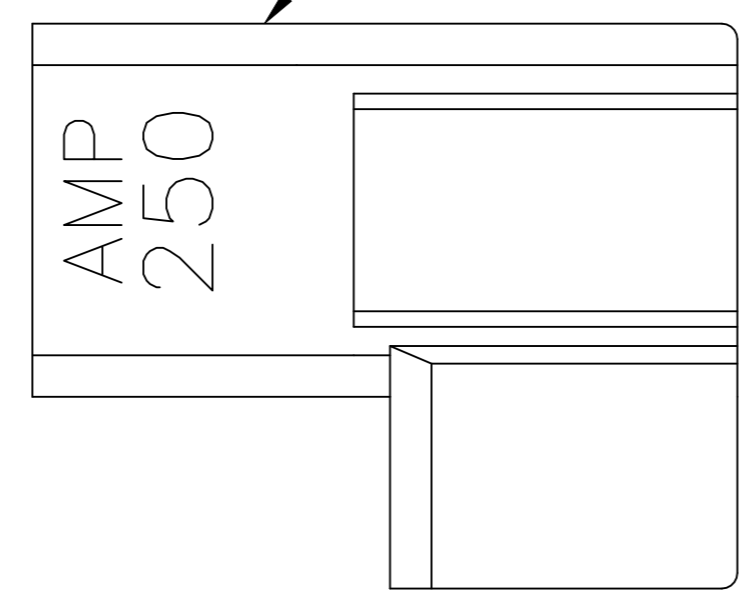
- 1 BUDGET FLAG FASTON TERMINALS, (STRESS RELIEVED) BASE P/N 63559, ARE USED IN THIS PRODUCT.
  - 2 WIRE SIZE [#18-#14] AWG.
  - 3 INSULATION RANGE IS 2.79-4.06 [.110-.160] DIA.
- △ ALTERNATIVE HOUSING FORM



SECTION A-A



SECTION B-B



OBSELETE

STANDARD	6/6 NYLON / NATURAL	TIN PLATE - 4M HARD BRASS	521347-2
STANDARD	6/6 NYLON / NATURAL	PLAIN - 4M HARD BRASS	521347-1
PACKAGING	HOUSING MATERIAL / COLOR	TERMINAL FINISH - MATERIAL	PART NO
THIS DRAWING IS A CONTROLLED DOCUMENT.		DWN 22AUG00 JR RUTH	Tyco Electronics Corporation Harrisburg, PA 17105
DIMENSIONS: INCHES		CHK 22AUG00 MS FEHER	
TOLERANCES UNLESS OTHERWISE SPECIFIED:		APVD 22AUG00 J HUMMEL	
0 PLC ± - 1 PLC ± - 2 PLC ± - 3 PLC ± 0.25 [.010] 4 PLC ± - ANGLES ± -		PRODUCT SPEC 108-1285 APPLICATION SPEC 114-2124	
MATERIAL	SEE TABLE	FINISH	SEE TABLE
CUSTOMER DRAWING		WEIGHT -	RESTRICTED TO -
SCALE 6:1		SHEET 1 OF 1	REV C2

521347

A