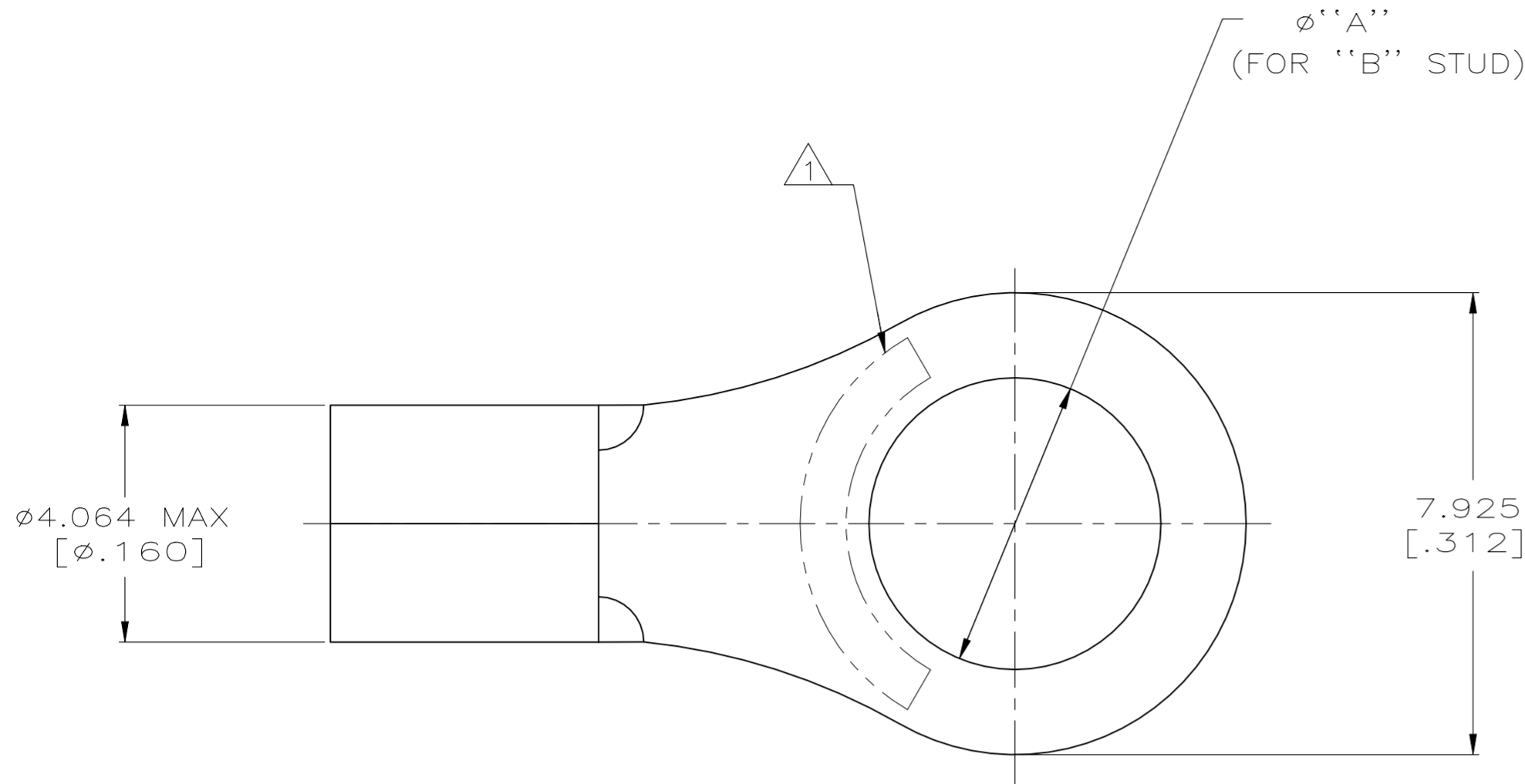


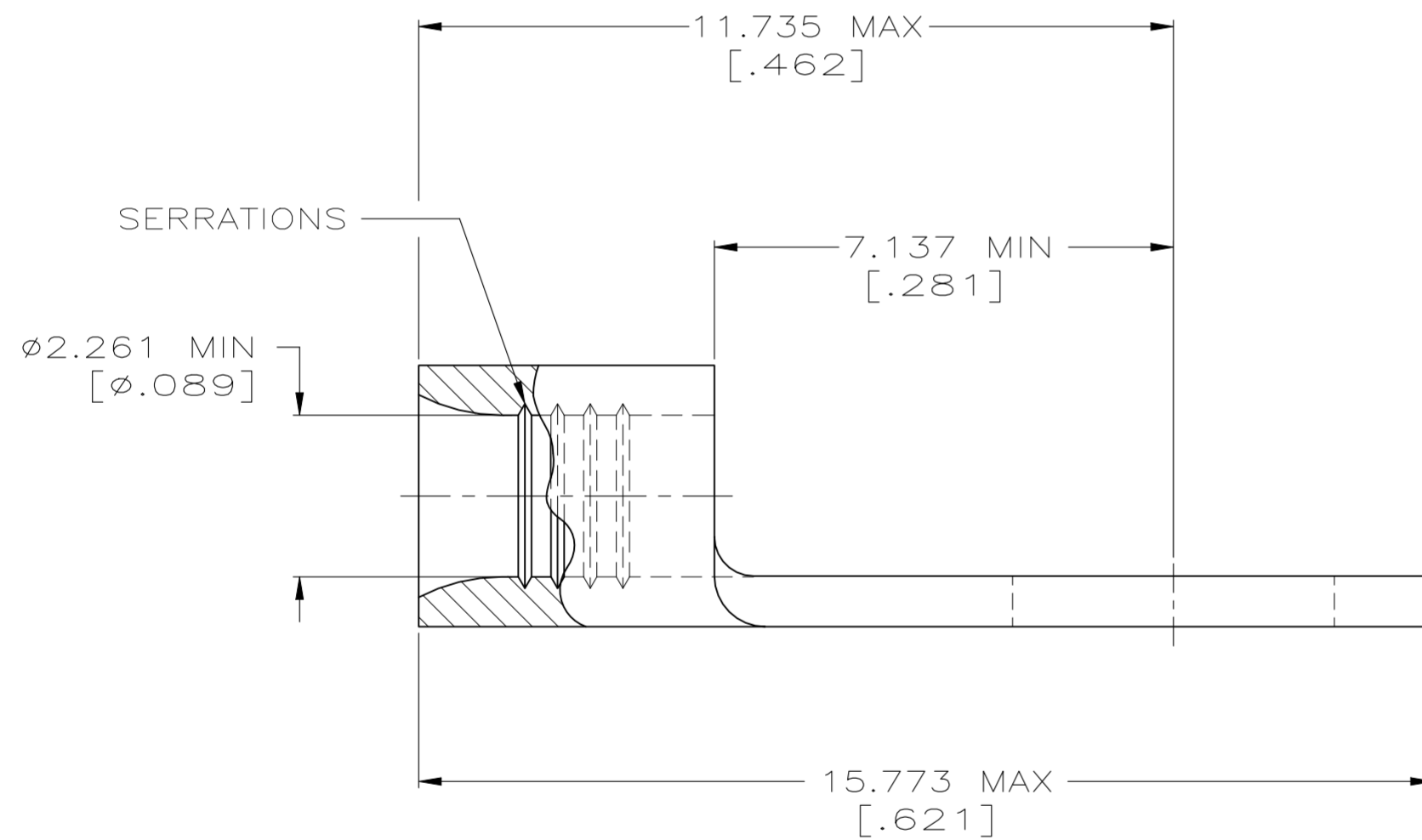
REVISIONS				
P	LTR	DESCRIPTION	DATE	APVD
B1		REVISED PER ECR-23-165160	07FEB2023	LP DSC



AMP WIRE RANGE	E13288 Listed
16-14 AWG STRANDED	16-14 AWG STRANDED

LR7189 Certified
NOT APPLICABLE

- 1 STAMP AMP 16-14* APPROX AS SHOWN
- 2 MATERIAL:
COPPER PER ASTM B152, ANNEALED
- 3 FINISH:
TIN PLATE 0.00254[.000100] MIN EXT THK PER ASTM B545
- 4 BODY MATERIAL THK: 0.787±0.051[.031±.002]



1000	LOOSE PIECE	5.004±0.076 [.197±.003]	#10	51872-5
1000	LOOSE PIECE	3.683±0.076 [.145±.003]	M3.5[#6]	51872-1
QTY	PACKAGE TYPE	Ø"A"	B	PART NO.

AMP INCORPORATED CUSTOMER SERVICE SYSTEMS		MAX RECOMMENDED OPERATING TEMPERATURE: 170°C [338°F]	THIS DRAWING IS A CONTROLLED DOCUMENT.		DWN TA BRINKMAN 2-5-93	TE Connectivity
FOR ADDITIONAL PRODUCT INFORMATION OR COPIES OF DRAWINGS AND TECHNICAL DOCUMENTS	PRODUCT INFORMATION CENTER 1-800-522-6752	VOLTAGE RATING: NOT APPLICABLE	DIMENSIONS: mm [INCHES]	TOLERANCES UNLESS OTHERWISE SPECIFIED:	CHK DA PATTERSON 2-5-93	
FOR APPLICATION	TOOLING ASSISTANCE CENTER 1-800-722-1111	WIRE CROSS SECTIONAL AREA RANGE, 1.04-2.62mm²[2.050-5.180] CIR MILS STRANDED		0 PLC ± - 1 PLC ± - 2 PLC ± - 3 PLC ± 0.127[.005] 4 PLC ± -	APVD DE MILLER 2-5-93	
TOOLING INFORMATION	1-800-722-1111	THIS DRAWING IS A CONTROLLED DOCUMENT FOR AMP INCORPORATED. IT IS SUBJECT TO CHANGE AND THE CONTROLLING ENGINEERING ORGANIZATION SHOULD BE CONTACTED FOR THE LATEST REVISION.	MATERIAL	FINISH	PRODUCT SPEC UL 486A-B	
FOR ORDER ENTRY	1-800-526-5142		2	3	APPLICATION SPEC	NAME TERMINAL, RING TONGUE, BUDGET WIRE SIZE: 16-14 AWG
					WEIGHT	SIZE A2
					CUSTOMER DRAWING	CAGE CODE 00779
						DRAWING NO C=51872
						RESTRICTED TO
						SCALE 10:1
						SHEET 1 OF 1
						REV B1