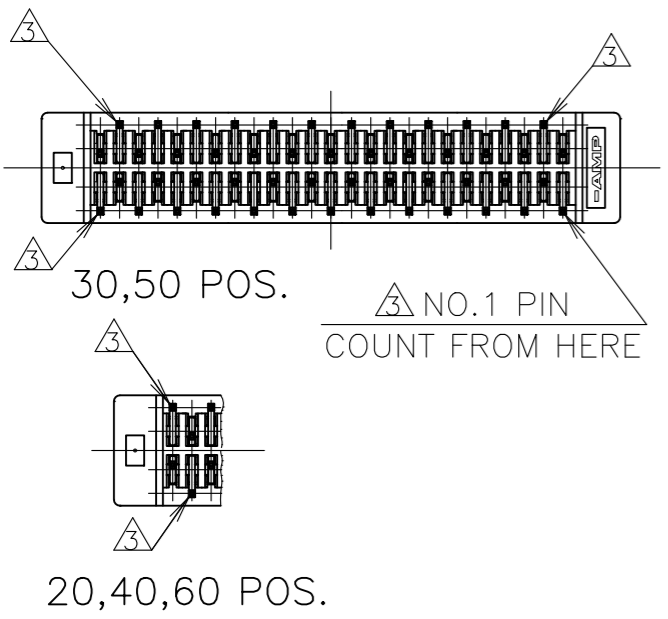
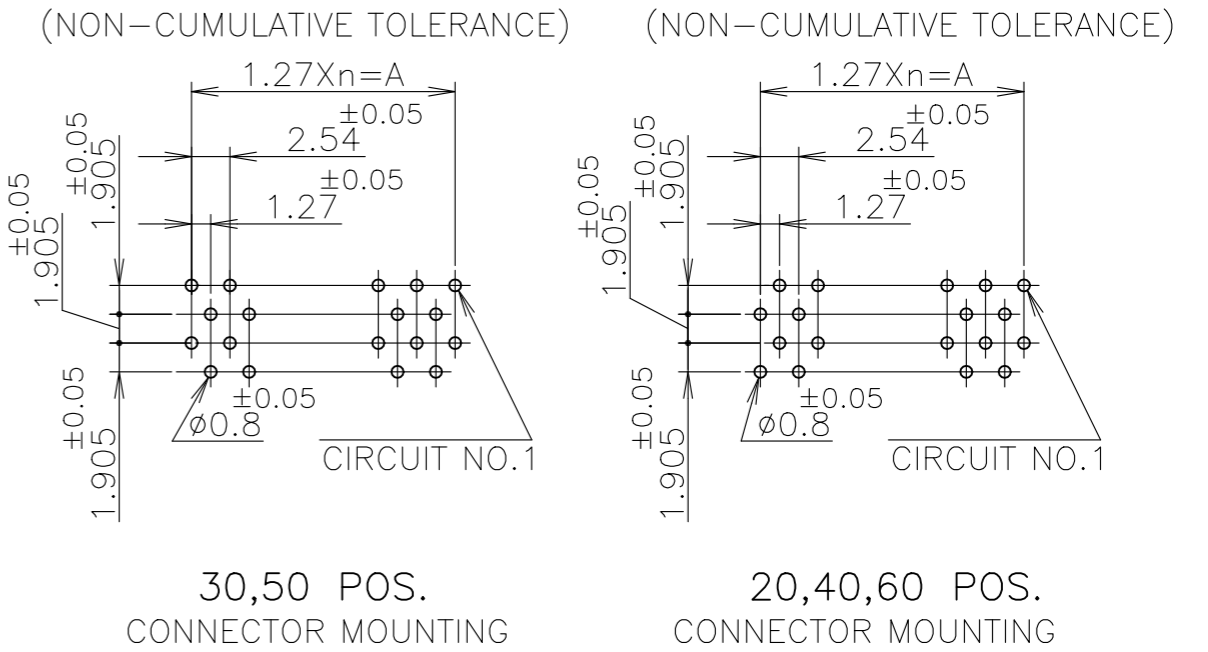
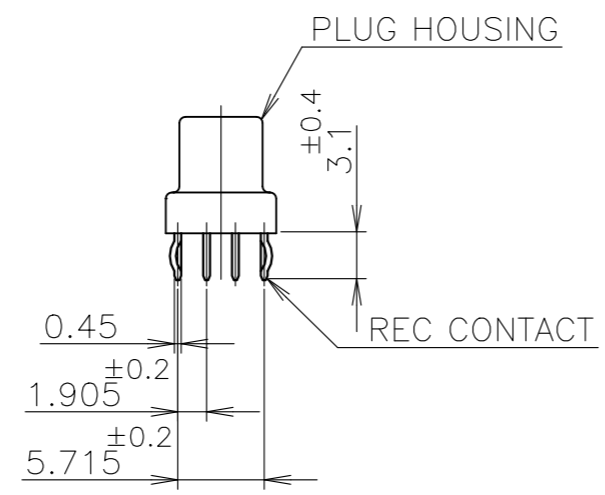
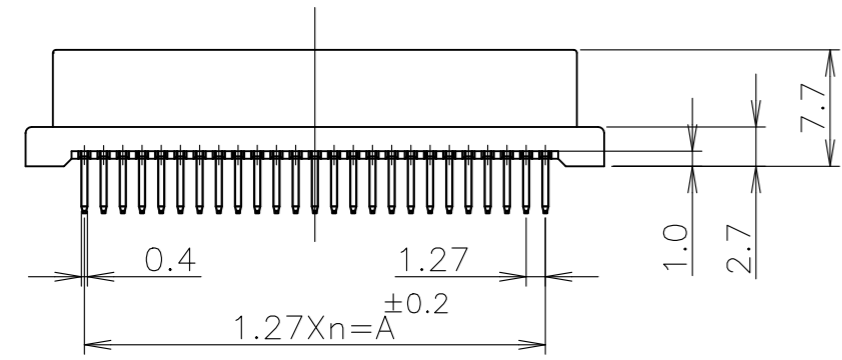
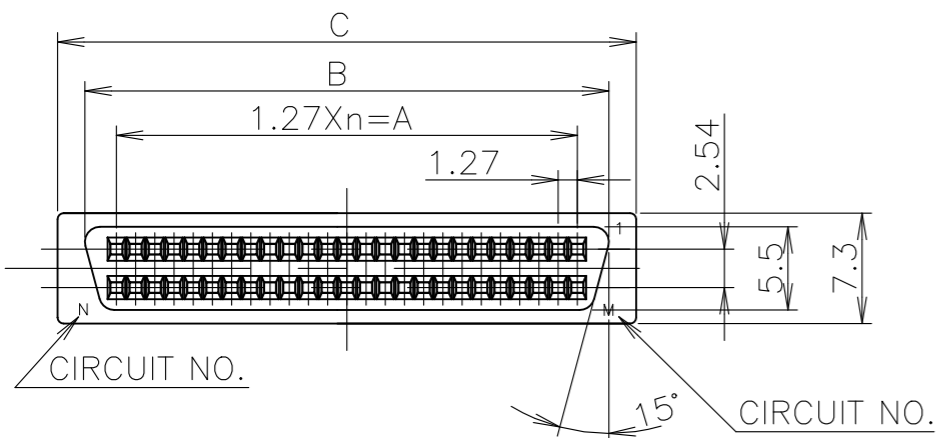


REVISIONS 変更					
P	LTR	DESCRIPTION	DATE	DWN	APVD
	A	REVISED PER ECN-22-179915	17OCT2022	AK	SZ



- 1 MATERIAL & FINISH
PLUG HOUSING: THERMOPLASTIC (UL94V-0)
COLOR: BLACK.
REC CONTACT: COPPER ALLOY.
FINISH: OVER NICKEL, MATING END:
0.0002 OR 0.00076 MIN. GOLD,
TERMINATION END: TIN. AND SEALING TREATMENT
ALL OVER.
- 2 P.W.B. LAYOUT AND P.W.B. TREATMENT (REF.)
P.W.B. SURFACE ARE TREATED WITH SOLDER RESIST.
BOARD THICKNESS: 1.6mm.
- 3 ON KINK POINT (4 PLACES).
- 4 OBSOLETE PARTS: OBSOLETE CIS STREAMLINING PER D.RENAUD/D.SINISI

4 OBSOLETE	Au PL. 0.00076 MIN.	20	11	11.43	15.60	19.20	9	20	6-	-5
		60	31	36.83	41.00	44.60	29	60	6-	-4
		50	26	30.48	34.65	38.26	24	50	6-	-3
		40	21	24.13	28.30	31.90	19	40	6-	-2
		30	16	17.78	21.95	25.55	14	30	6-	-1
Au PL. 0.0002 MIN.		20	11	11.43	15.60	19.20	9	20		-5
		60	31	36.83	41.00	44.60	29	60		-4
		50	26	30.48	34.65	38.26	24	50		-3
		40	21	24.13	28.30	31.90	19	40		-2
		30	16	17.78	21.95	25.55	14	30		-1
REMARK		N	M	A	B	C	n	POS.	PART NO.	

LEAD FREE

GENERAL TOLERANCE
10 ≥ : ±0.2
30 ≥ > 10: ±0.25
100 ≥ > 30: ±0.3
ANGLES: ±3°

THIS DRAWING IS A CONTROLLED DOCUMENT.		
DIMENSIONS: 単位: 耗 mm	TOLERANCES UNLESS OTHERWISE SPECIFIED: 一般公差	
0 PLC ±- 1 PLC ±- 2 PLC ±- 3 PLC ±- 4 PLC ±- ANGLES ±-	FINISH 仕上	
	MATERIAL 材料	

DWN COREL WANG 24AUG04	TE Connectivity	
CHK STEVEN YAO 24AUG04	PLUG ASSY V WITH KINK AMPLIMITE .050 SERIES I B-TO-B CONN.	
APVD I.ENOMOTO 24AUG04	NAME 名称	
PRODUCT SPEC 製品規格 108-60036	SIZE	CAGE CODE
APPLICATION SPEC 取付適用規格	A3	00779
WEIGHT 0.000000	DRAWING NO 番号	G-5175710
CUSTOMER DRAWING	RESTRICTED TO	
SCALE 尺度 NTS	SHEET 1 OF 1	REV A