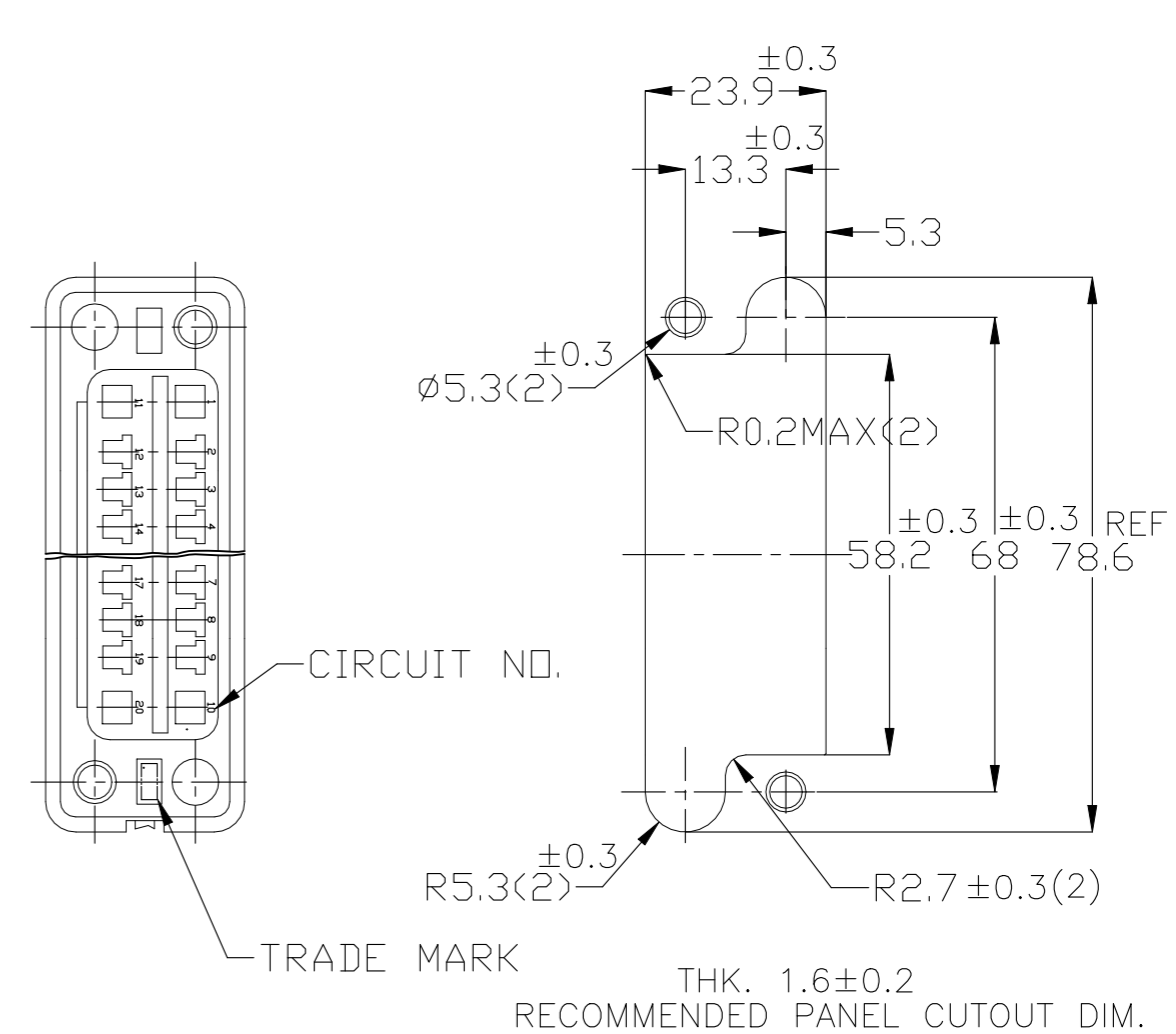
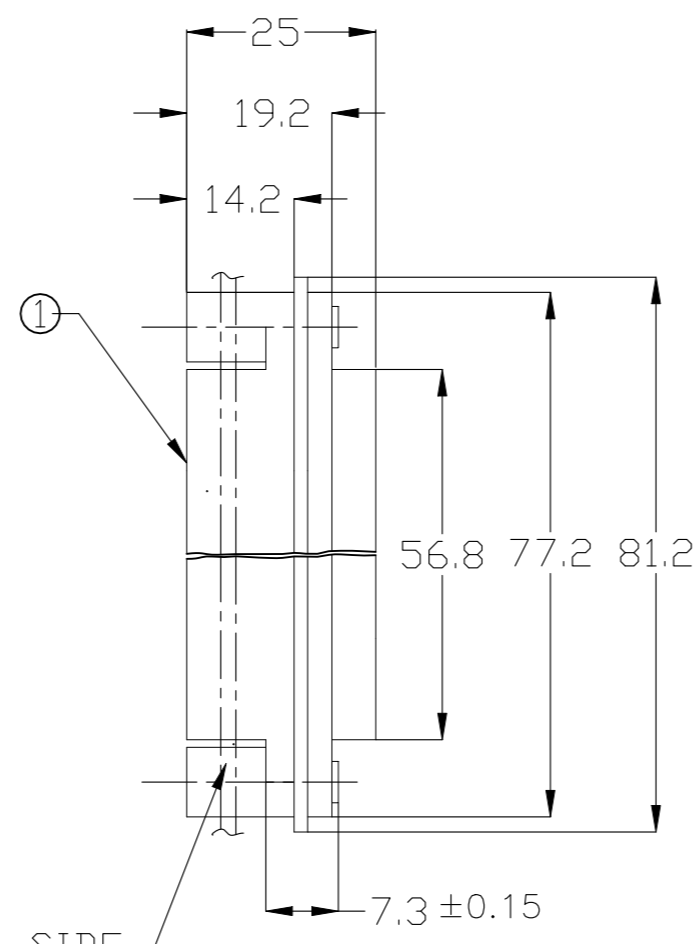
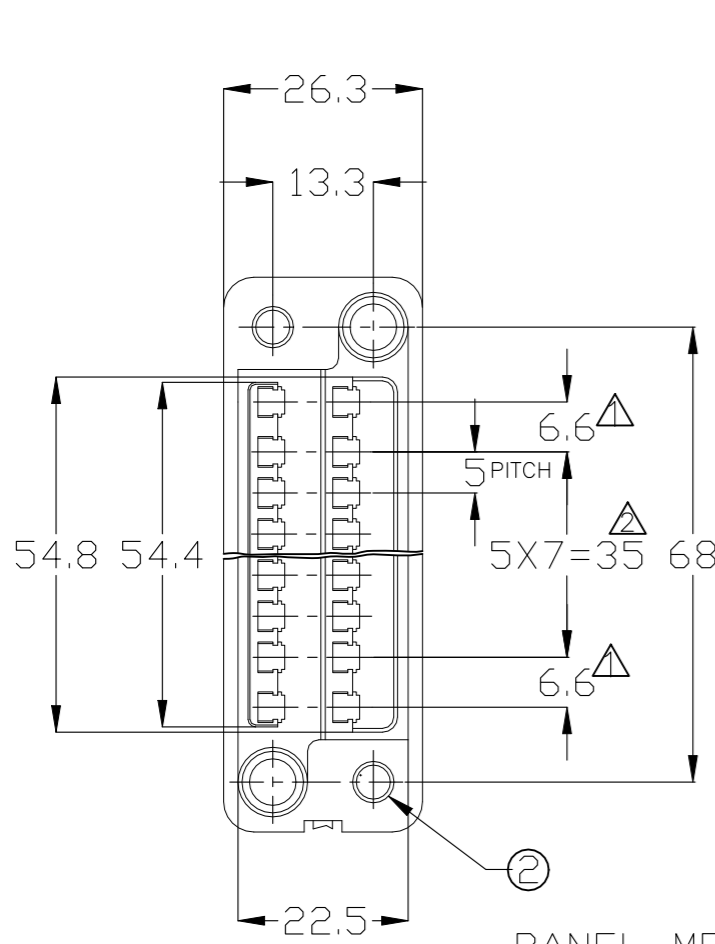


REVISIONS					
P	LTR	DESCRIPTION	DATE	DWN	APVD
	A1	RELEASED ECR-21-001336	05FEB2021	J.J	N.S



PANEL MOUNTING SIDE

CIRCUIT NO.

TRADE MARK

THK. 1.6±0.2
RECOMMENDED PANEL CUTOUT DIM.

NOTES:

- ▲ FOR POWER CIRCUITS (4 POS.)
- ▲ FOR SIGNAL CIRCUITS (16 POS.)
- 3. ACCOMMODATED CONTACTS ARE STRIP P/N 170311, 170312, 170484 L.P P/N 170313, 170314, 170485
- 4. MAIL HSG P/N IS 1703032
- ▲ MATERIAL:
HOUSING: PBT 94V-0
BUSH: PB FREE METAL
- ▲ FINISH:
NICKEL PLATED PER AMP SPEC 112-25.

2	1-172065-3	FLOATING BUSH ASS'Y	- (4mm)	2
1	173031-3	DRAWER CONN. FEMALE HSG	20 POS. (4mm)	1
-3	NUMBER	NAME	REMARKS	ITEM No.

THIS DRAWING IS A CONTROLLED DOCUMENT.		DWN C.ZHU 21JUL05	TE Connectivity 20POS FEMALE HSG ASS'Y DRAWER CONNECTOR				
DIMENSIONS: mm		CHK I.WANG 21JUL05				APVD S.YAO 21JUL05	NAME
 0 PLC ± 0.4 1 PLC ± 0.4 2 PLC ± 0.4 3 PLC ± 0.4 4 PLC ± 0.4 ANGLES ± -		PRODUCT SPEC				APPLICATION SPEC	
MATERIAL ▲		FINISH ▲				RESTRICTED TO	
		WEIGHT 0.000000	SIZE A3	CAGE CODE 00779	DRAWING NO C-5173033		
CUSTOMER DRAWING			SCALE 1:1	SHEET 1 OF 1	REV A1		