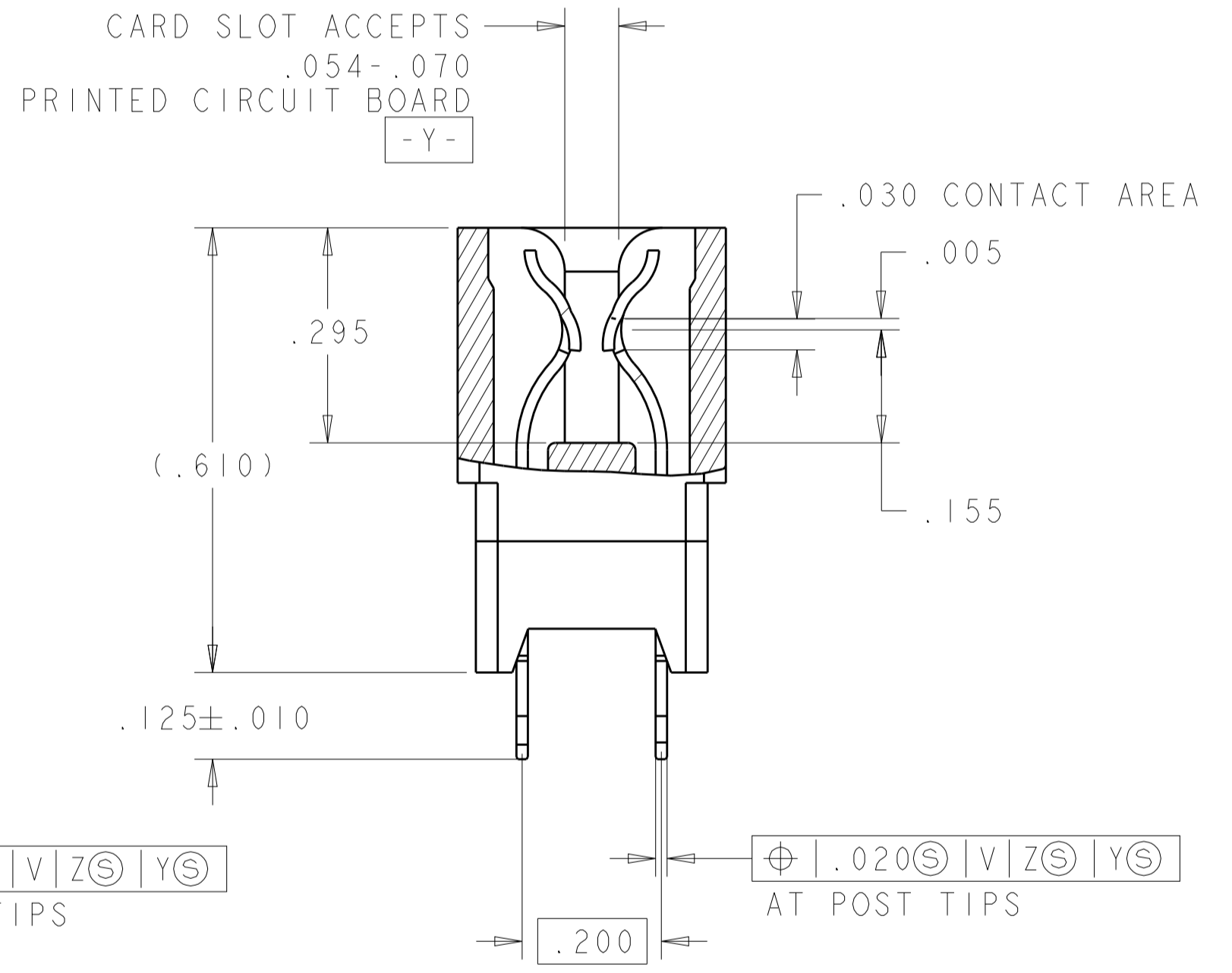
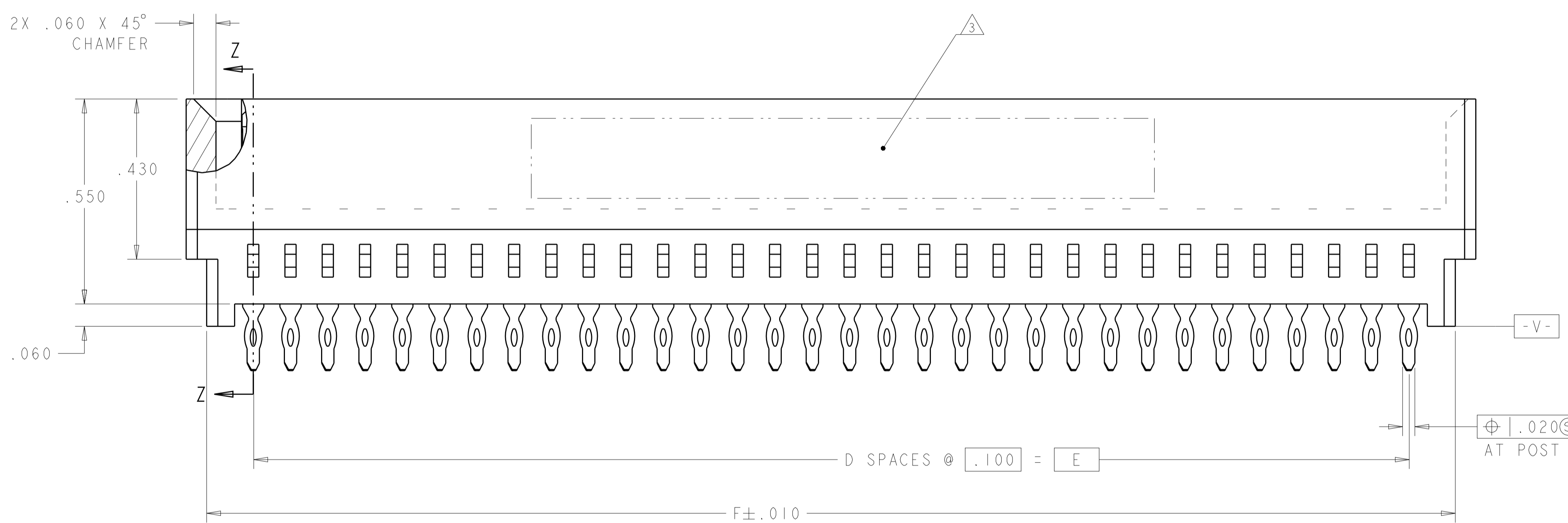
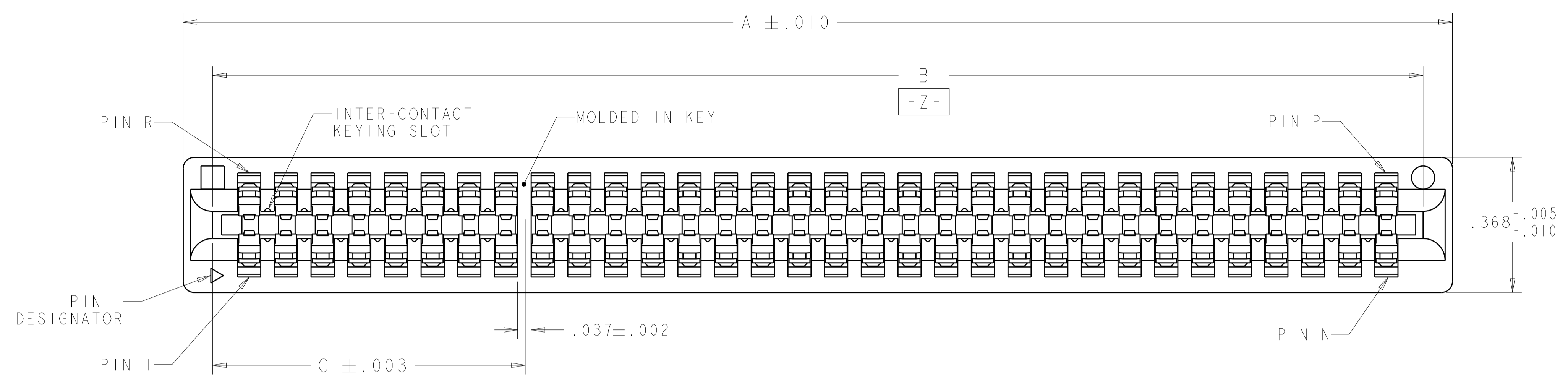


LOC		DIST		REVISIONS			
GP	00	P	LTH	DESCRIPTION	DATE	DWN	APVD
		C2		REV PER ECO-13-007689	07MAY2013	AY	SZ



- △ MATERIAL:
HOUSING: GLASS FILLED POLYESTER, BLACK
CONTACT: COPPER ALLOY
- △ FINISH:
CONTACT: GOLD PLATE .000015 MIN THK. OVER
NICKEL .000050 MIN THK.
COMPLIANT TAILS: MATTE TIN PLATE .000100 MIN THK. OVER
NICKEL .000050 MIN THK.
- △ PART NUMBER AND DATE CODE MAY BE MARKED IN APPROXIMATE AREA SHOWN. (EITHER SIDE)
- △ DATUMS PLUS BASIC DIMENSIONS ESTABLISHED BY CUSTOMER.

OBSOLETE	30	16	15	1.586	-	-	-	-	-	1.650	1.400	14	-	1.600	1.760	-	-	15	5145269-7
OBSOLETE	60	31	30	3.086	-	-	-	-	-	3.150	2.900	29	-	3.100	3.260	-	-	30	5145269-6
(C2)	20	11	10	1.086	-	-	-	-	-	1.150	.900	9	-	1.100	1.260	-	SECTION Z J	10	5145269-5
OBSOLETE	14	8	7	.786	-	-	-	-	-	.850	.600	6	-	.800	.960	-	-	7	5145269-4
OBSOLETE	50	26	25	2.586	-	-	-	-	-	2.650	2.400	24	-	2.600	2.760	-	-	25	5145269-3
OBSOLETE	62	32	31	3.186	.093	2.043	1.143	1.9	1.0	3.250	3.000	30	1.050	3.200	3.360	6	11,12	31	5145269-2
OBSOLETE	62	32	31	3.186	-	-	-	-	-	3.250	3.000	30	-	3.200	3.360	-	-	31	5145269-1
	R	P	N	M	L	K	J	H	G	F	E	D	C	B	A	OMIT PIN AND HOLE	MOLDED KEY BETWEEN PINS	NO. OF DUAL POSN	PART NUMBER

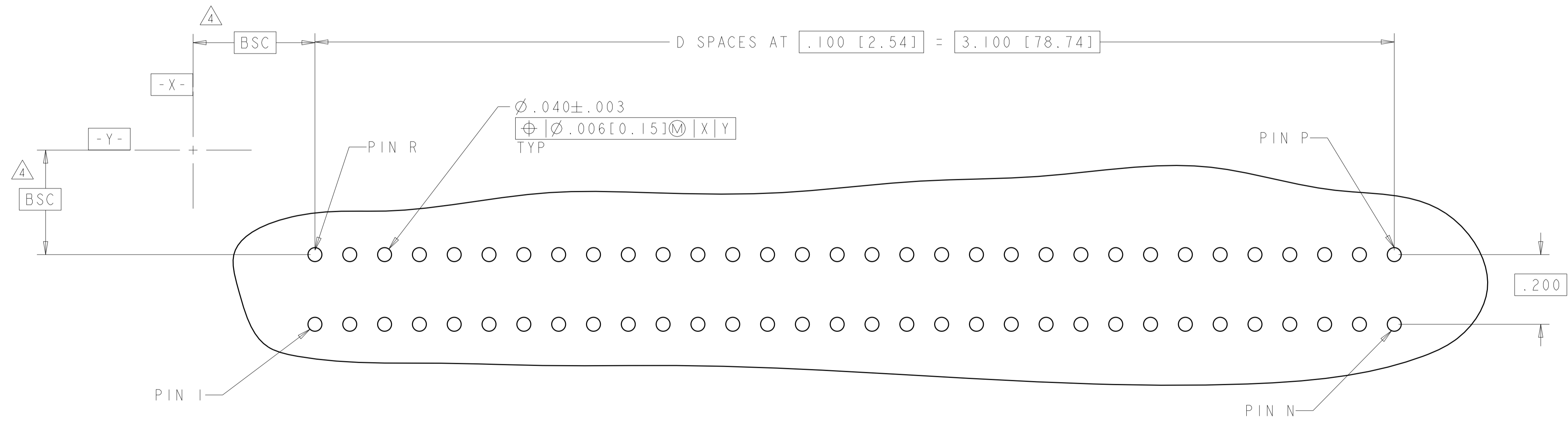
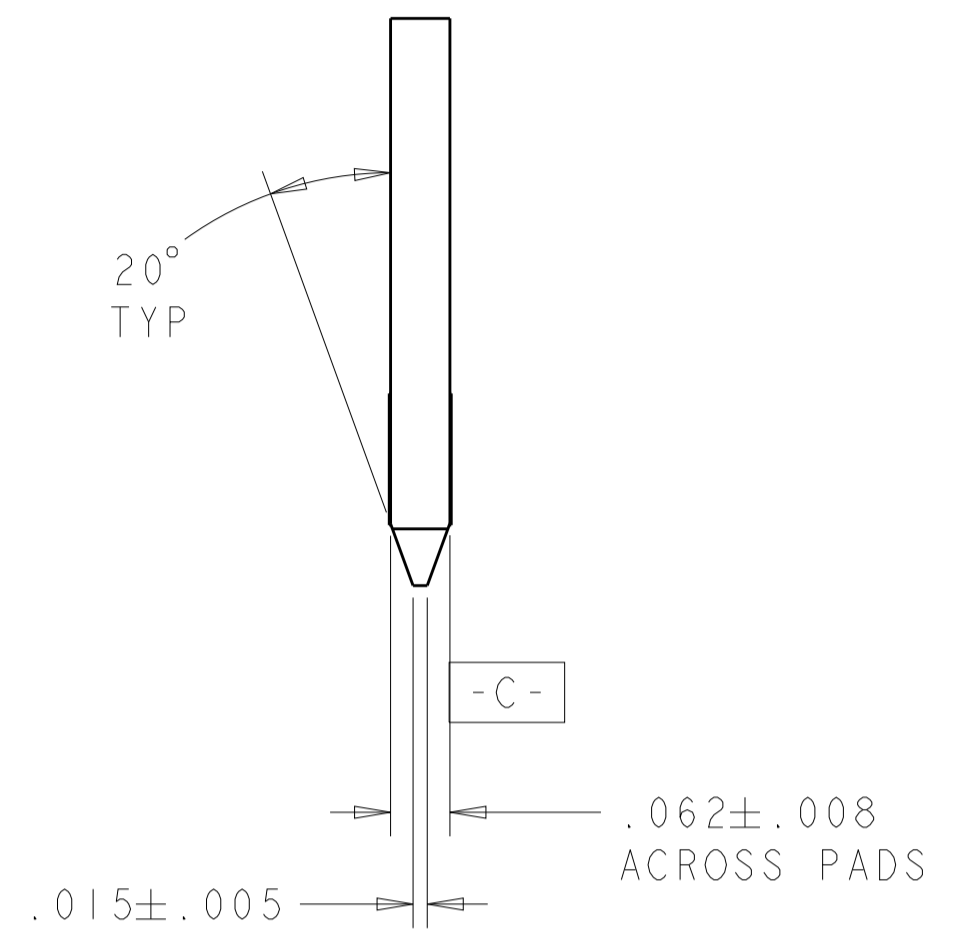
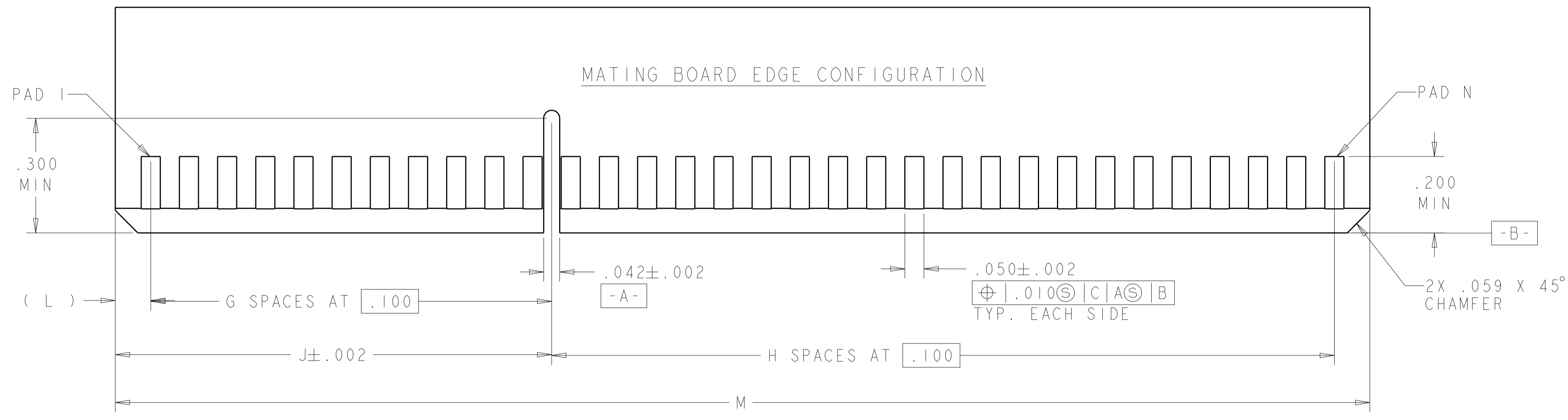
THIS DRAWING IS A CONTROLLED DOCUMENT.

DIMENSIONS: INCHES	TOLERANCES UNLESS OTHERWISE SPECIFIED:	DWN: R. GRZYBOWSKI 06JAN09	CHK: P. DAMATO 06JAN09	APVD: M. PERCHERKE 06JAN09	NAME: M. PERCHERKE
0 PLC ±	1 PLC ±.02	PRODUCT SPEC: 108-9039	APPLICATION SPEC: 114-13018	SIZE: A1	CAGE CODE: 00779
2 PLC ±.010	3 PLC ±.010	WEIGHT: -	SCALE: 5:1	SHEET: 1	OF: 2
4 PLC ±	ANGLES ±.3	CUSTOMER DRAWING	REV: C2		

CONNECTOR ASSEMBLY STANDARD EDGE 11, DUAL POSITION COMPLIANT TAIL, .100 CL

SCALE 5:1 SHEET 1 OF 2 REV C2

LOC	DIST	REVISIONS			
P	LTN	DESCRIPTION	DATE	DMN	APVD
-	-	SEE SHEET 1	-	-	-



THIS DRAWING IS A CONTROLLED DOCUMENT.		DMN: R. GRZYBOWSKI 06 JAN 09	TE Connectivity
DIMENSIONS: INCHES		CHK: P. DAMATO 06 JAN 09	
TOLERANCES UNLESS OTHERWISE SPECIFIED: 0 PLC ±. 1 PLC ±. 2 PLC ±.02 3 PLC ±.010 4 PLC ±. ANGLES ±.		APVD: M. PERCHERKE 06 JAN 09	NAME: CONNECTOR ASSEMBLY STANDARD EDGE 11, DUAL POSITION COMPLIANT TAIL, .100 CL
MATERIAL: -		PRODUCT SPEC: 108-9039	SIZE: A1
FINISH: -		APPLICATION SPEC: 114-13018	CAGE CODE: 5145269
CUSTOMER DRAWING		WEIGHT: -	RESTRICTED TO: -
SCALE: 5:1		SHEET: 2 OF 2	REV: C2