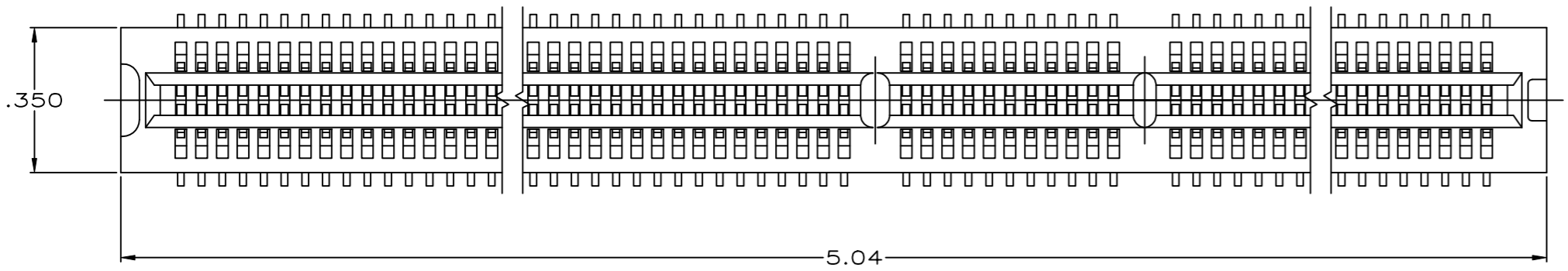
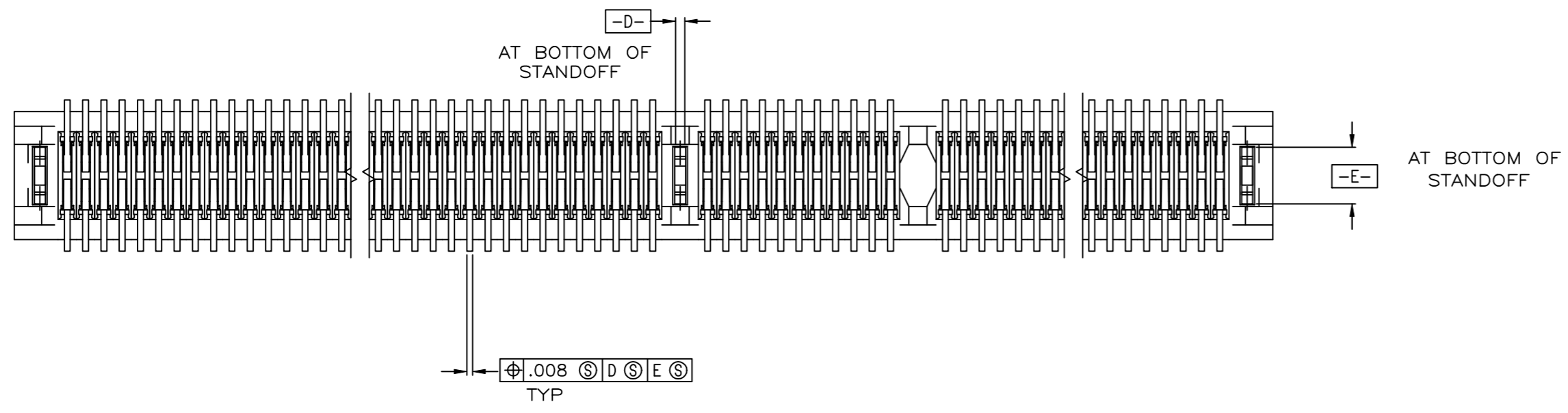
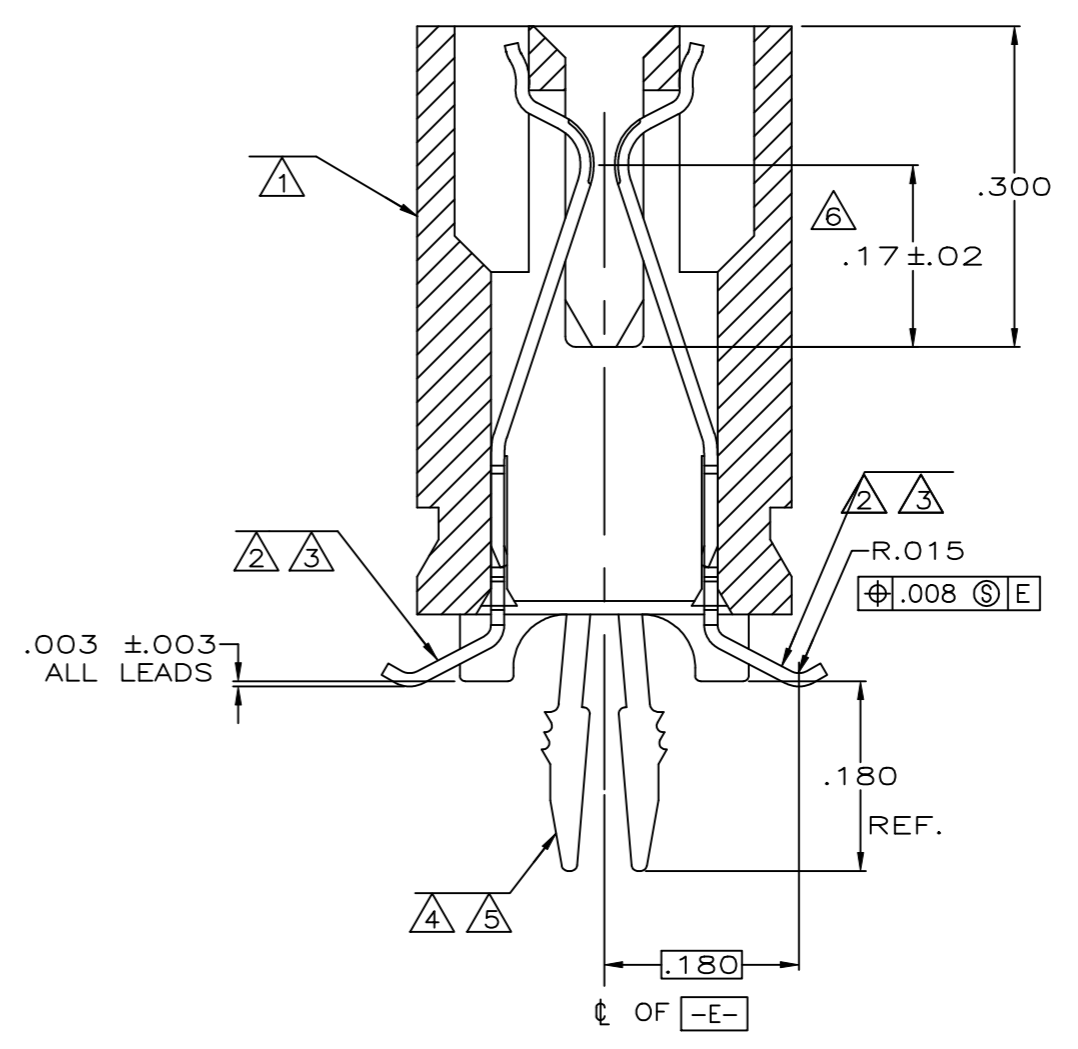
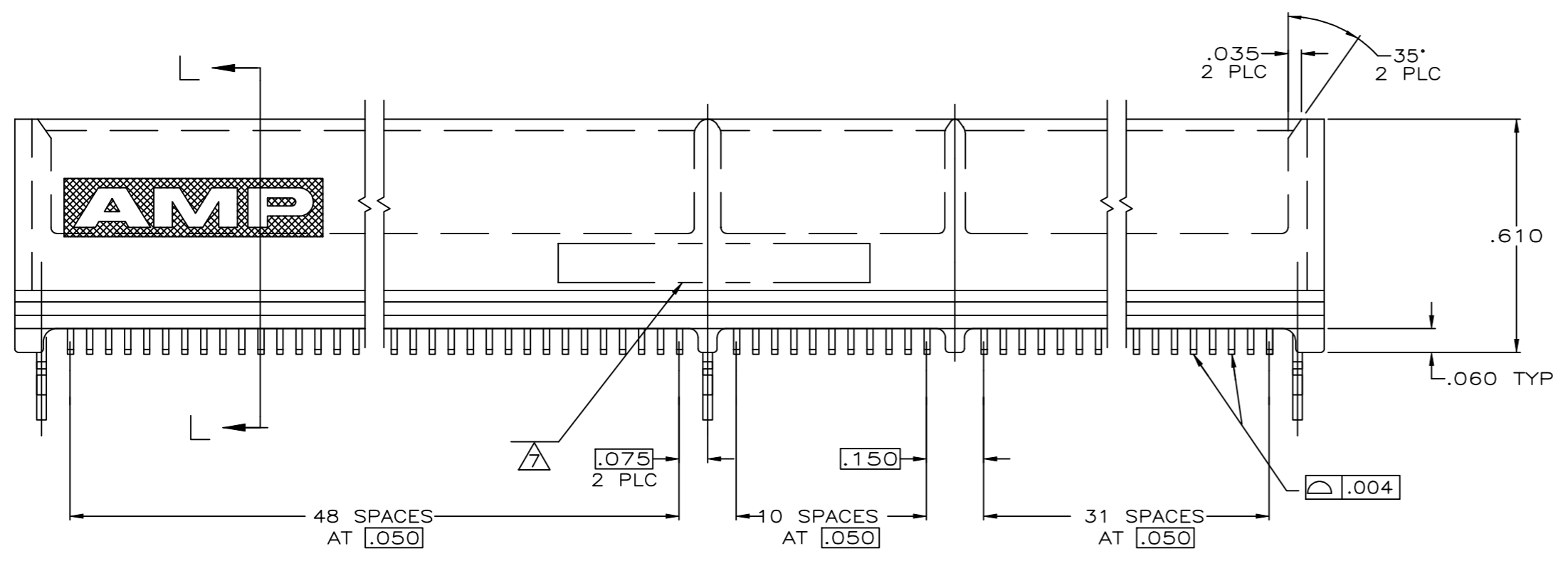


THIS DRAWING IS UNPUBLISHED. RELEASED FOR PUBLICATION
 © COPYRIGHT - TE Connectivity Ltd. ALL RIGHTS RESERVED.

REVISIONS					
P	LR	DESCRIPTION	DATE	OWN	APVD
A		ECO-18-017215	03DEC2018	FL	HL



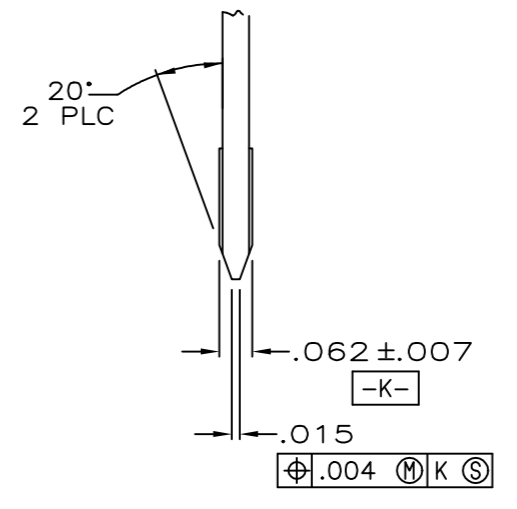
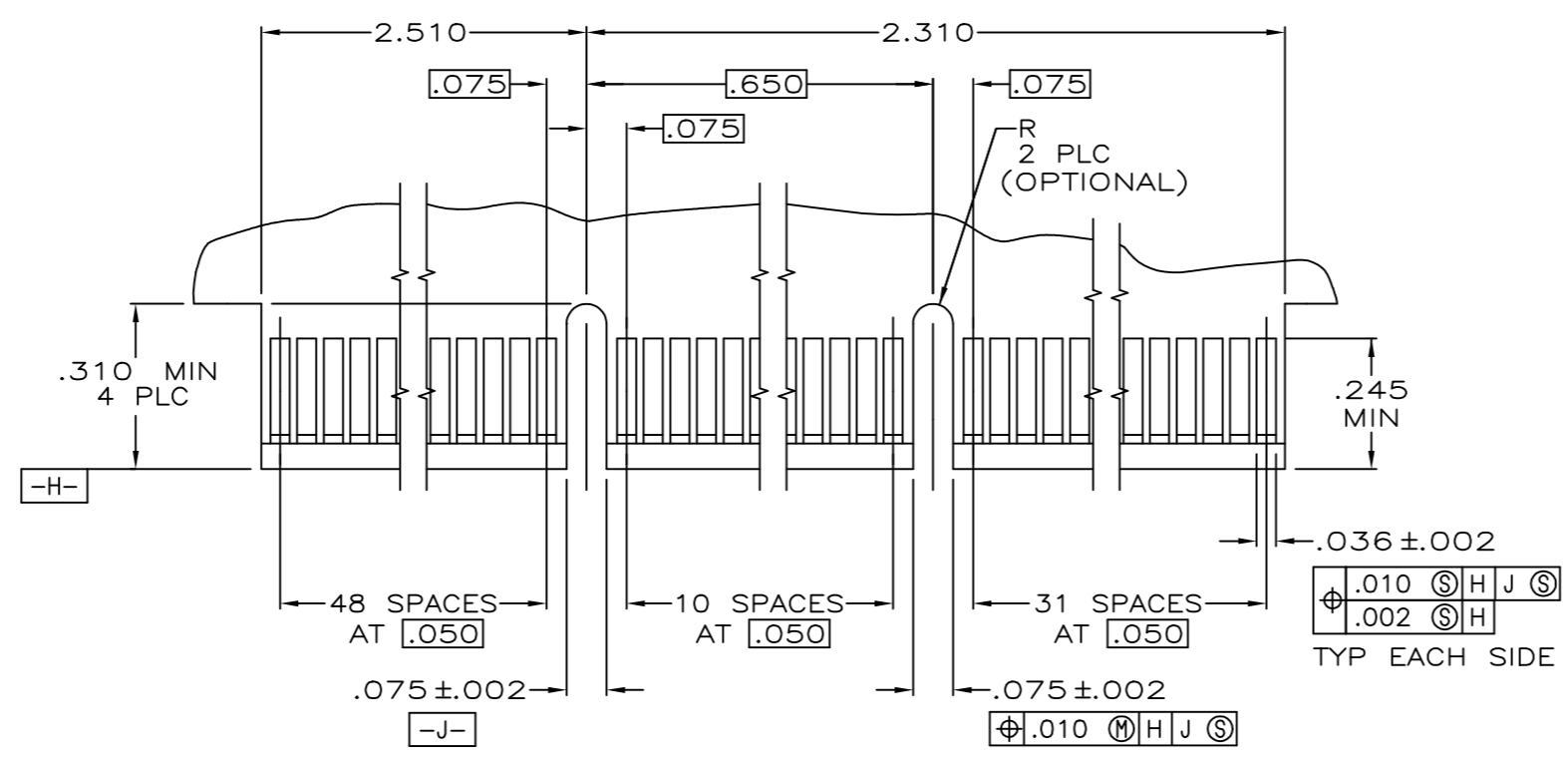
- ① HOUSING: HIGH TEMPERATURE THERMOPLASTIC.
- ② CONTACT: PHOSPHOR BRONZE.
- ③ CONTACT FINISH: .000100 MIN NICKEL ALL OVER.
.000030 MIN GOLD OVER NICKEL IN CONTACT AREA.
.000100 MIN MATTE TIN OVER NICKEL ON SOLDER TAILS.
- ④ METAL HOLD DOWN: BRASS
- ⑤ METAL HOLD DOWN FINISH: .000050 MIN NICKEL ALL OVER,
.000150 MIN MATTE TIN ALL OVER.
- ⑥ DISTANCE FROM CONTACT POINT TO BOTTOM OF CARD SLOT.
- ⑦ AMP PART NUMBER, DATE CODE AND CSA LOGO MARKED IN APPROXIMATE AREA SHOWN.



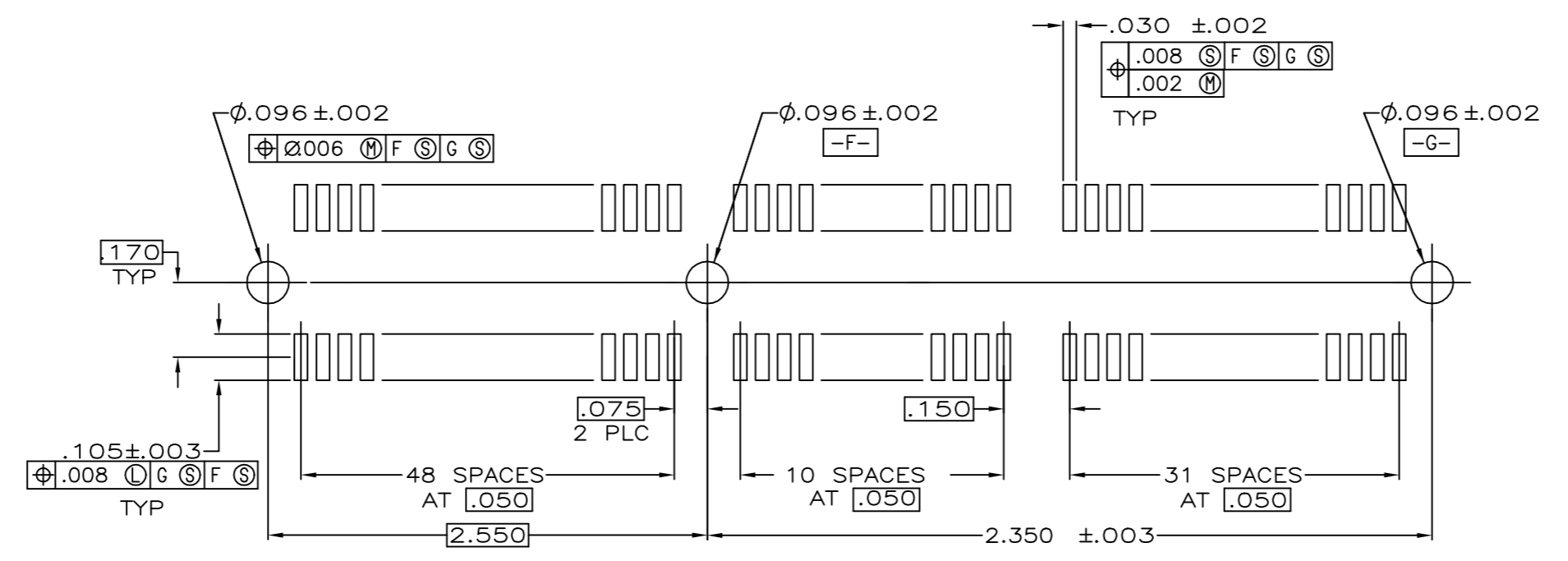
5145113-1 AS SHOWN

THIS DRAWING IS A CONTROLLED DOCUMENT.		OWN AL FRANTUM 23 JUN 05														
		CHK AL FRANTUM 23 JUN 05														
DIMENSIONS: INCHES		TOLERANCES UNLESS OTHERWISE SPECIFIED:		APVD -												
<table border="1"> <tr><td>0 PLC</td><td>± -</td></tr> <tr><td>1 PLC</td><td>± .01</td></tr> <tr><td>2 PLC</td><td>± .01</td></tr> <tr><td>3 PLC</td><td>± .005</td></tr> <tr><td>4 PLC</td><td>± -</td></tr> <tr><td>ANGLES</td><td>± °</td></tr> </table>		0 PLC	± -	1 PLC	± .01	2 PLC	± .01	3 PLC	± .005	4 PLC	± -	ANGLES	± °	PRODUCT SPEC 108-14034 APPLICATION SPEC 114-13148		NAME -
0 PLC	± -															
1 PLC	± .01															
2 PLC	± .01															
3 PLC	± .005															
4 PLC	± -															
ANGLES	± °															
MATERIAL ① ② ④		FINISH ③ ⑤		SIZE A1 CAGE CODE 00779 DRAWING NO 5145113												
CUSTOMER DRAWING		SCALE 4:1		SHEET 1 OF 2 REV A												

REVISIONS				
P	LTR	DESCRIPTION	DATE	OWN APVD
-	-	SEE SHEET 1	-	-



RECOMMENDED MATING BOARD EDGE CONFIGURATION



RECOMMENDED CONNECTOR MOUNTING HOLE PATTERN
(CONNECTOR SIDE SHOWN)

THIS DRAWING IS A CONTROLLED DOCUMENT.		OWN: AL FRANTUM 23 JUN 05	TE Connectivity Ltd.	
		CHK: AL FRANTUM 23 JUN 05		
DIMENSIONS:		NAME: CONNECTOR ASSEMBLY, 92 DUAL POSITION, .050 SERIES, STANDARD EDGE SURFACE MOUNT		
INCHES		PRODUCT SPEC: 108-14034		
		APPLICATION SPEC: 114-13148		
0 PLC ± - 1 PLC ± - 2 PLC ± .01 3 PLC ± .005 4 PLC ± - ANGLES ± °		SIZE: A1	CAGE CODE: 00779	DRAWING NO: 5145113
MATERIAL: SEE SHEET 1		WEIGHT: -		RESTRICTED TO: -
FINISH: SEE SHEET 1		CUSTOMER DRAWING		
		SCALE: 4:1	SHEET: 2 OF 2	REV: A