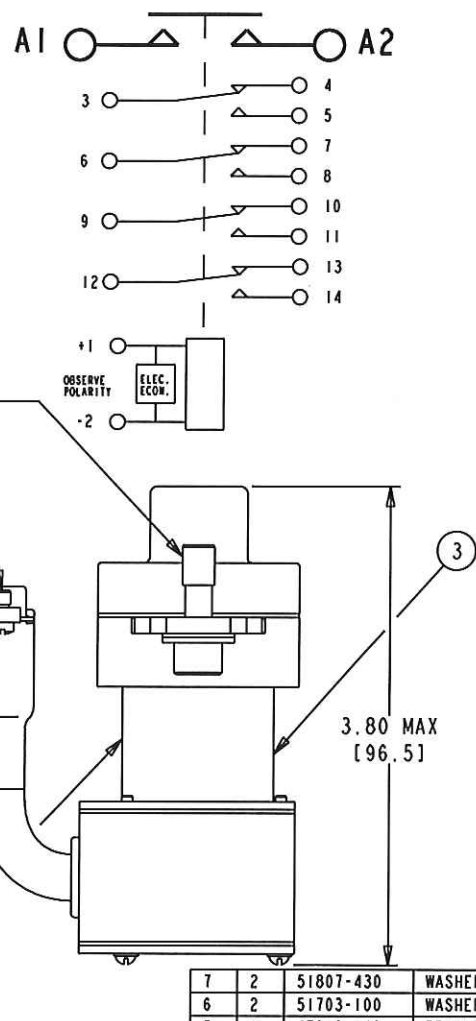
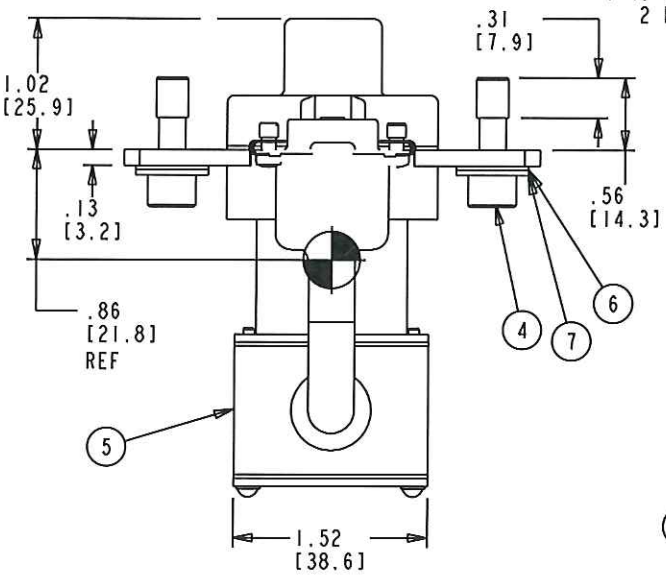
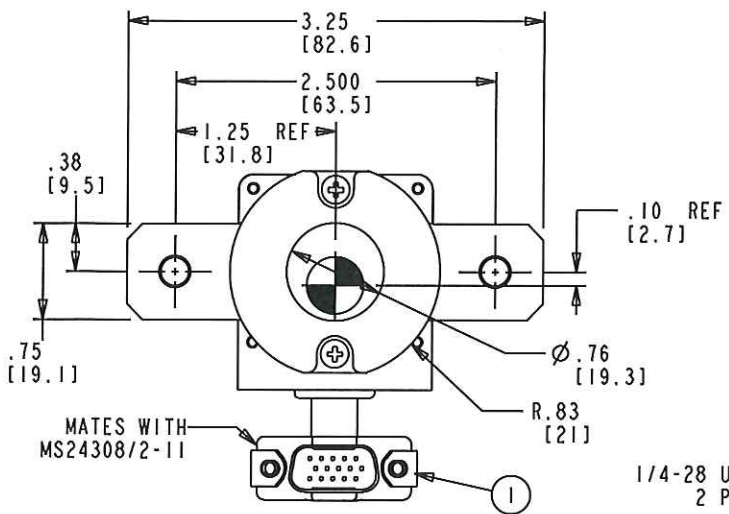


REVISIONS		RELEASED	
REV.	DESCRIPTION	DATE	APPROVED
A	RELEASED TO PROD. FROM REV 5	17APR2015	RSS



CONSTRUCTION
MAIN CONTACTS
 CONFIGURATION SPST N.O. (DOUBLE BREAK)
 VOLTAGE 28 VDC
 CURRENT 400 AMPS
 RESISTIVE OVERLOAD 450 AMPS FOR 5 MIN.
 1000 AMPS FOR 10 SEC.
 INRUSH RUPTURE MOTOR 1500 AMPS
 4000 AMPS
 1875 AMPS FOR 0 TO 5 SEC.
 1700 AMPS FOR 5 TO 10 SEC.
 1500 AMPS FOR 10 TO 15 SEC.
 1200 AMPS FOR 15 TO 20 SEC.
 1000 AMPS FOR 20 TO 25 SEC.
 750 AMPS FOR 25 TO 30 SEC.
 500 AMPS FOR 30 TO 90 SEC.
 VOLTAGE DROP BOUNCE 150 mV MAX
 5 mS AT 28 VDC 25°C

AUXILIARY CONTACTS
 CONFIGURATION 4PDT
 VOLTAGE 28 VDC
 CURRENT 5 AMPS
 RESISTIVE INDUCTIVE 1 AMP
 BOUNCE 5 mS AT 28 VDC 25°C
 SIMULTANEOUS 10 mS AT 28 VDC 25°C
 DIELECTRIC WITHSTAND 1000 Vrms

COIL DATA
 DUTY CYCLE CONTINUOUS (ELECTRONIC ECONOMIZED)
 MAX OPERATE VOLTAGE 32 VDC
 MAX PICKUP VOLTAGE 18 VDC MAX
 DROP OUT VOLTAGE 9 VDC MAX
 COIL CURRENT 6 AMP MAX AT 28 VDC FOR APPROX. 100 mS
 INRUSH HOLD 400 mA MAX AT 28 VDC
 PICKUP TIME 25 mS AT 28 VDC 25°C
 DROP OUT TIME 15 mS AT 28 VDC 25°C
 SUPPRESSION ±42 VOLTS

ENVIRONMENTAL DATA
 GROUND SURVIVABILITY TEMPERATURE -55 TO 85°C
 NOMINAL OPERATE TEMP -55 TO +70°C
 ALTITUDE 55,000 FT
 DECOMPRESSION 55,000 FT

LIFE ELECTRICAL 50,000 CYCLE MIN.
LIFE MECHANICAL 100,000 CYCLES MIN.
WEIGHT MAX .70 LBS

FIND NO	QTY	PART OR IDENTIFYING NO	NOMENCLATURE OR DESCRIPTION	DRAWING OR SPECIFICATION	FSC#	TE PART NO	MATERIAL OR NOTE
7	2	51807-430	WASHER, BELLEVILLE 1/4				6-1616949-6
6	2	51703-100	WASHER 17/64 ID X 9/16 OD				4-1616945-7
5	1	47619-140	PRIMARY ASSEMBLY				7-1616986-8
4	2	47362-001	SOCKET CAP TERMINAL SCREW				7-1616922-4
3	1	44900-022	SCHEMATIC DIAGRAM				8-1616986-9
2	1	44899-040	NAME PLATE				8-1616986-8
1	2	211883-5	SCREW-LOCK ASSEMBLY, MALE, KIT				211883-5

- NOTES:**
- INSTALLATION TORQUE 1/4-28 UNF-2A - 56 IN-LBS
 - INSTALLATION TORQUE 4-40 UNC-2A - 4 IN-LBS
 - STATIONARY BUS BARS ARE SILVER PLATED, ASTM B700, TYPE II, GRADE D SEMI BRIGHT CLASS N
 - LEAD LENGTH: FROM CENTER OF GROMMET TO FACE OF CONNECTOR TO BE 7.00" ±0.50.
 - CONNECTOR FINISH TO BE ZINC PLATE, YELLOW CHROMATE

DIMENSIONS: INCHES [mm]
 TOLERANCES UNLESS OTHERWISE SPECIFIED

2 PL DEC., 3 PL DEC., ANGLES
 ±.06 ±.010 ± 1°

DR BY	RSS	11-12-01
CHK BY	MDM	15-04-28
ENGR	RSS	11-12-01
MFG	DWA	15-04-30
SIZE	CODE IDENT	
A	74063	

SCALE NONE SHEET 1 OF 1

Harmon™ Division 175 N. DIAMOND STREET MANSFIELD, OHIO 44902

CONTACTOR SPST N.O. DB
 400 AMP, 28 VDC

DWG NO. **K4001B8C2**

REF TE PN 5-1616986-8