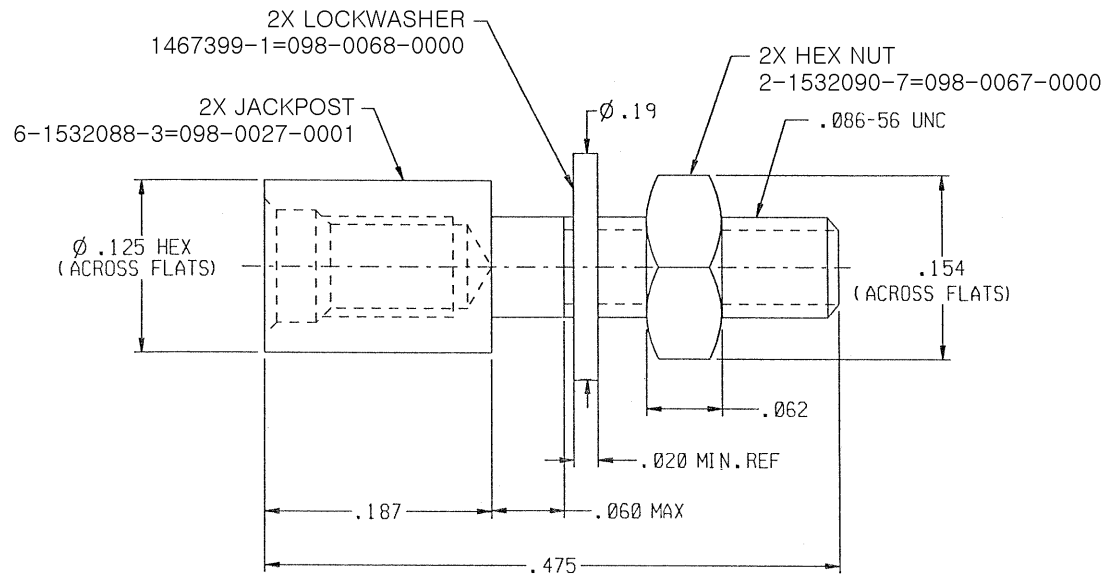


THIS DRAWING IS UNPUBLISHED. RELEASED FOR PUBLICATION
 © COPYRIGHT - By - ALL RIGHTS RESERVED.

LOC	DIST	REVISIONS			
P	LTR	DESCRIPTION	DATE	DWN	APVD
	A	DRAWING RELEASE	07DEC2011	CEP	CEP



NOTES:

- PARTS TO BE PACKAGED LOOSE AND NOT ASSEMBLED.

THIS DRAWING IS A CONTROLLED DOCUMENT.		DWN CRAIG PREVOST 06DEC2011	TE Connectivity																			
DIMENSIONS: INCHES		CHR CRAIG PREVOST 07DEC2011																				
TOLERANCES UNLESS OTHERWISE SPECIFIED:		APVD CRAIG PREVOST 07DEC2011	NAME M83513/05-07 HARDWARE KIT (2-56 UNC) JACKPOST ASSEMBLY S96-0002-0009 (P)																			
<table border="1"> <tr><td>0 PLC</td><td>±</td><td>-</td></tr> <tr><td>1 PLC</td><td>±</td><td>-</td></tr> <tr><td>2 PLC</td><td>±</td><td>-</td></tr> <tr><td>3 PLC</td><td>±</td><td>-</td></tr> <tr><td>4 PLC</td><td>±</td><td>-</td></tr> <tr><td>ANGLES</td><td>±</td><td>-</td></tr> </table>		0 PLC	±	-	1 PLC	±	-	2 PLC	±	-	3 PLC	±	-	4 PLC	±	-	ANGLES	±	-	PRODUCT SPEC -	RESTRICTED TO -	
0 PLC	±	-																				
1 PLC	±	-																				
2 PLC	±	-																				
3 PLC	±	-																				
4 PLC	±	-																				
ANGLES	±	-																				
MATERIAL -		FINISH -	APPLICATION SPEC -	SIZE A3																		
		WEIGHT -	CAGE CODE 98278	DRAWING NO 5-1532137-9																		
CUSTOMER DRAWING			SCALE N/A	SHEET 1 of 1																		
			REV A																			