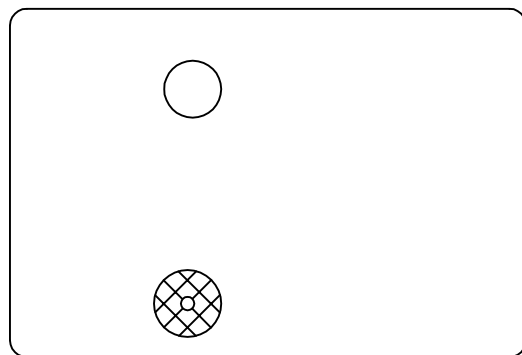


P	LTR	DESCRIPTION	DATE	DWN	APVD
B1		1.CHANGE TE LOGO 2.ADD LINE IDENTIFICATION 3.PN OBSOLETE 4.TERMINALS TOLERANCE CLARIFICATION	ECO-11-018618	25-AUG-12	S.P BH.Y



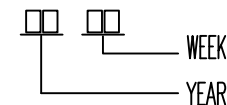
ⓑ1

GENERAL TOLERANCE

Diagram dimension	Tolerance
0.99mm max.	±0.1mm
1 - 2.99mm	±0.2mm
3mm min.	±0.3mm

NOTE:

1.LOT NO. SYSTEM AS FOLLOWING:

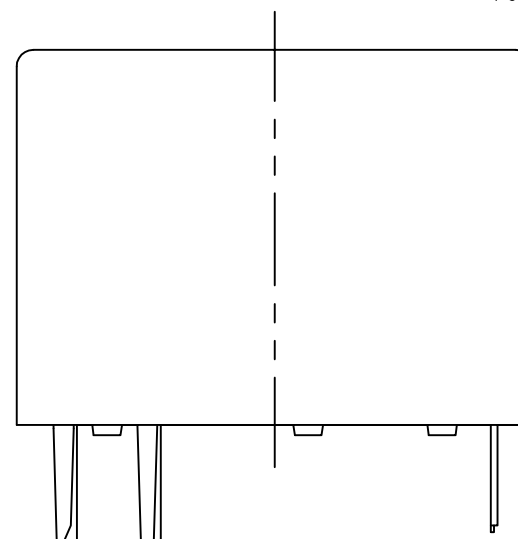
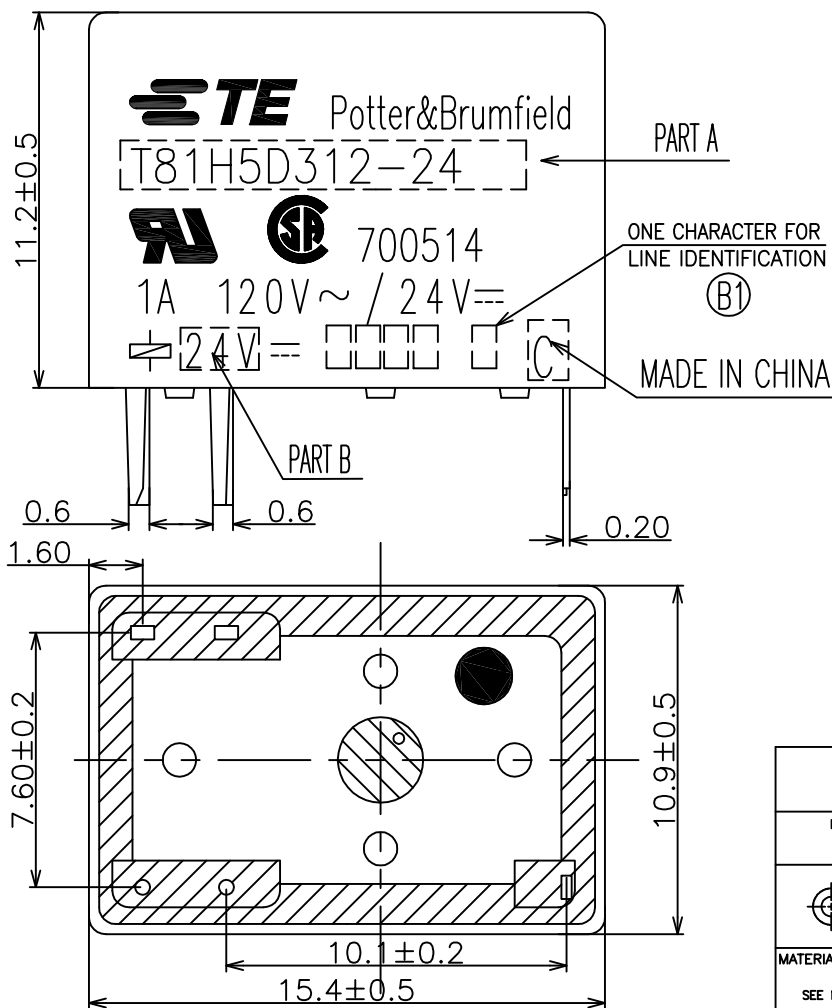


ⓑ1

2.TERMINAL DIMENSIONS BEFORE SOLDER DIP

ⓑ1

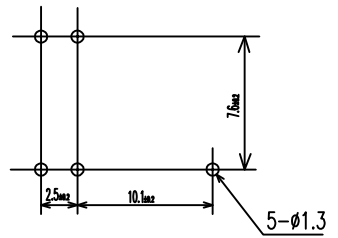
3.FOR THE TIN-PLATING OF THE PINS:  
+0.1mm FOR WIDTH, THICKNESS AND DIAMETER  
+0.5mm FOR LENGTH



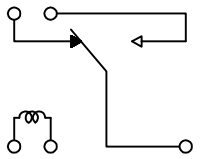
DWN ZHUAN,ZHOU		<b>STE</b> TE Connectivity	
CHK BANGHUA,YU			
APVD SUYUN ZHANG		T81 H/N SPECIAL CUSTOMER DRAWING	
PRODUCT SPEC		APPLICATION SPEC	
MATERIAL		SIZE A3	RESTRICTED TO
FINISH		GAGE CODE	DRAWING NO. 5-1393779-8
SEE MATERIAL TABLE		SCALE 4:1	SHEET 1 OF 2
CUSTOMER DRAWING		REV B1	

LOC HB	DIST	REVISIONS						
		P	LTR	DESCRIPTION	ECN	DATE	DWN	APVD

PC Board Layout(Bottom View)




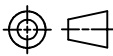
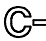
WIRING DIAGRAM (BOTTOM VIEW)



ACTIVE	7-1393779-2	24V	T81N5D312-24	h
ACTIVE	7-1393779-1	12V	T81N5D312-12	g
OBSOLETE	7-1393779-0	9V	T81N5D312-09	f
ACTIVE	5-1393779-9	24V	T81H5D312-24	e
ACTIVE	5-1393779-8	12V	T81H5D312-12	d
OBSOLETE	5-1393779-7	9V	T81H5D312-09	c
OBSOLETE	5-1393779-6	6V	T81H5D312-06	b
ACTIVE	5-1393779-5	5V	T81H5D312-05	a
STATUS	PART NO	PART B	PART A	ITEM

(B1)

		UV	SEAL (FOR VENT TYPE )	15
		SEAL GLUE	SEAL (CASE & BASE)	14
		3UEW	MAGNETIC WIRE	13
		HCP WIRE	COIL TERMINAL	12
		Aq ALLOY	B CONTACT	11
		Aq ALLOY	M CONTACT	10
		Aq ALLOY	MOVABLE CONTACT	9
		Cu ALLOY	B TERMINAL	8
		Cu ALLOY	M TERMINAL	7
		Cu ALLOY	MOVABLE SPRING	6
UL94V-0		PBT	BOBBIN	5
UL94V-0		PBT	CASE	4
		CSC C	CORE	3
	CuNi PLATING	SPCC	ARMATURE	2
	CuNi PLATING	SPCC	YOKE	1
INCOMBUSTIBILITY	TREATMENT	MATERIAL	DESCRIPTION	ITEM

DIMENSIONS: mm	TOLERANCES UNLESS OTHERWISE SPECIFIED:	DWN	ZHUAN,ZHOU	 TE Connectivity
		CHK	BANGHUA,YU	
	0 PLC ± 1 PLC ± 2 PLC ± 3 PLC ± 4 PLC ±	APVD	SUUNY ZHANG	
		PRODUCT SPEC		
MATERIAL	FINISH	APPLICATION SPEC		
SEE MATERIAL TABLE		WEIGHT		
		SIZE	A3	DRAWING NO  5-1393779-8
		RESTRICTED TO		
CUSTOMER DRAWING			SCALE	4:1
			SHEET	2 OF 2
			REV	B1