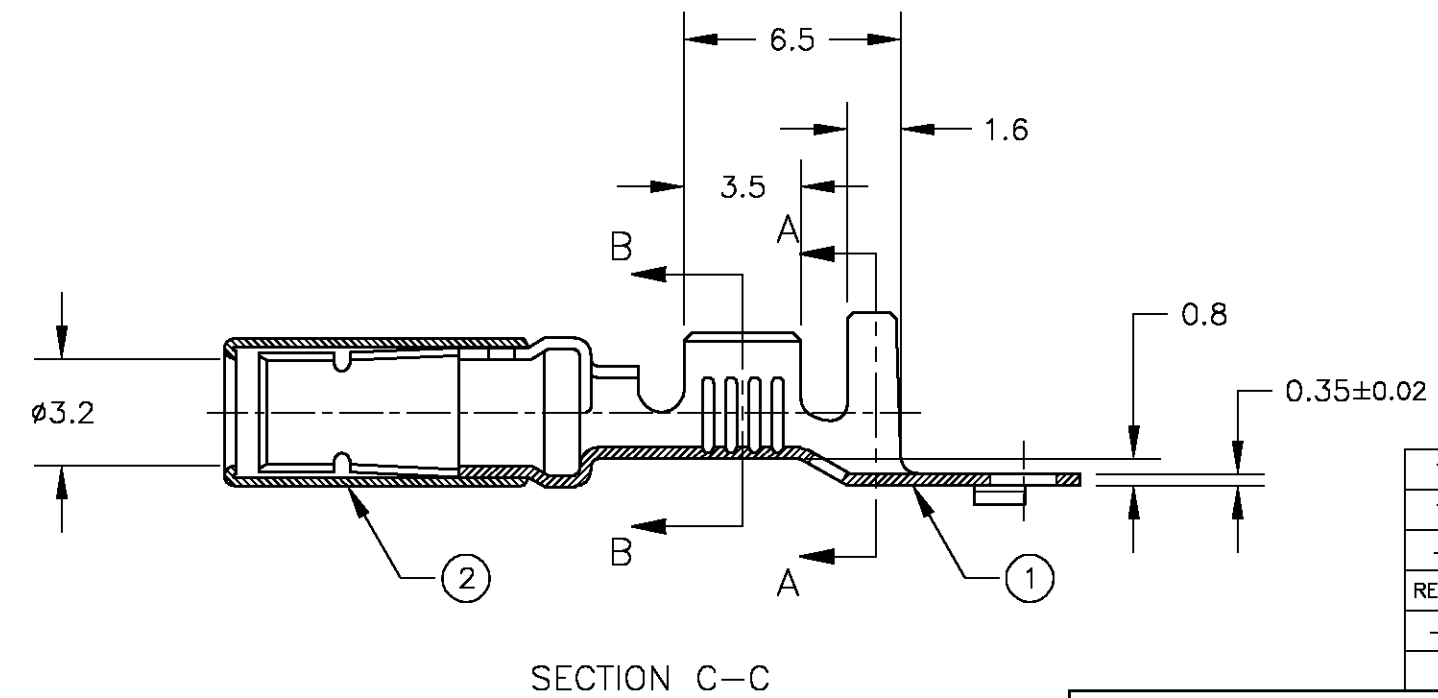
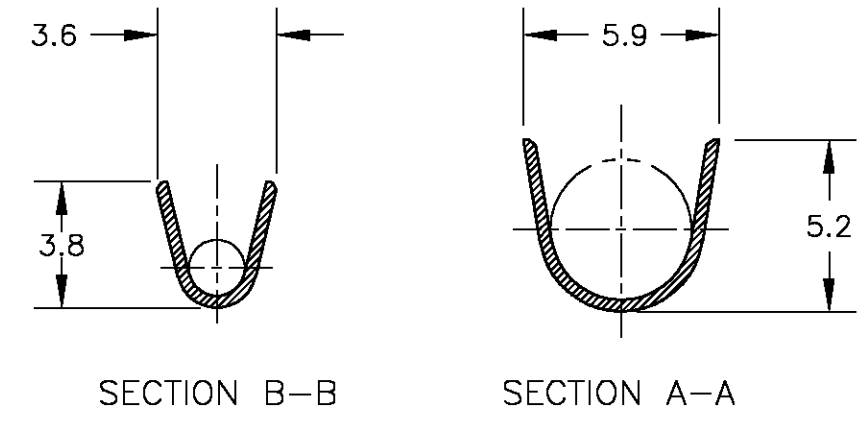
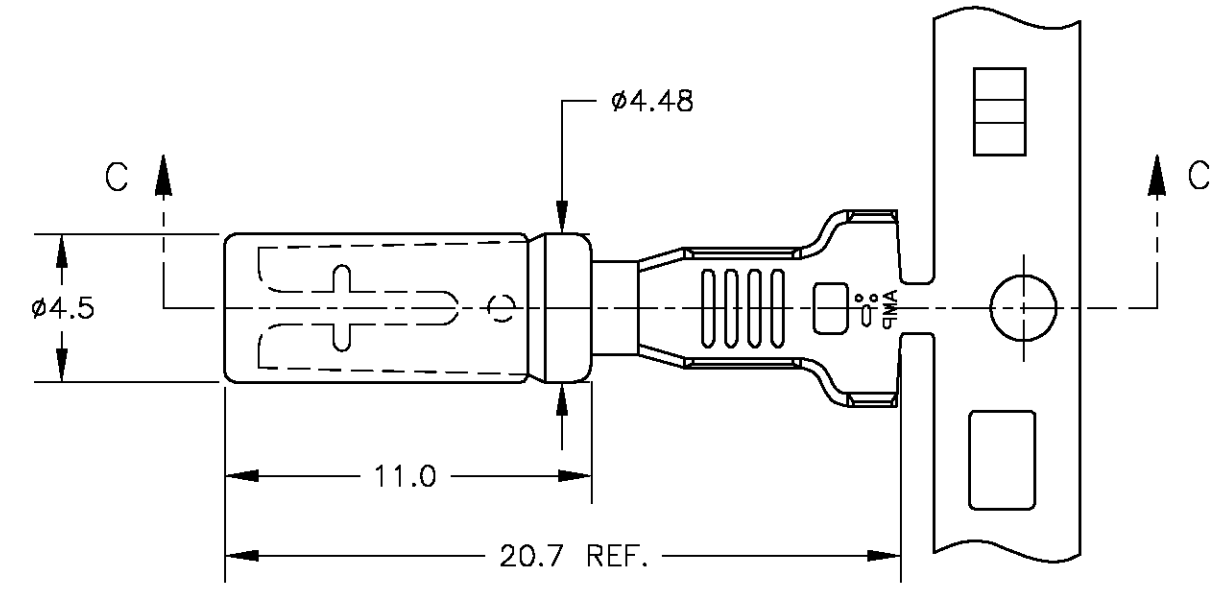


THIS DRAWING IS UNPUBLISHED. RELEASED FOR PUBLICATION
 © COPYRIGHT - BY TYCO ELECTRONICS CORPORATION. ALL RIGHTS RESERVED.

CAD
 AutoCAD
 DO NOT REVISE
 EXCEPT BY CAD

LOC	DIST	REVISIONS				
P	LYR	LT	DESCRIPTION	DATE	DMN	APVD
			REVISÃO	DATA	DES	APR
AP	-/-	A	REVISED BY ECL10-0042/05	09FEB05	AP	PLF
		A1	REVISED BY ECO-08-0181145	05AUG08	EGS	MBC



1 - BOBINAR COM PAPEL INTERCALADO.
 1 - REELING WITH PAPER INTERLEAVE.

REQ. PER ASSY	ITEM No	DESCRIPTION	MATERIAL	FINISH
1	1	SLEEVE	LATÃO / BRASS	---/---
1	-	TERMINAL ROUND Ø2,8	PHOSP. BRONZE	PRÉ ESTANHADO / PRE TIN
-	1	TERMINAL ROUND Ø2,8	LATÃO / BRASS	PRÉ ESTANHADO / PRE TIN
-2	-1			
493164				

THIS DRAWING IS A CONTROLLED DOCUMENT.

DIMENSIONS: DIMENSÕES mm	TOLERANCES UNLESS OTHERWISE SPECIFIED: TOLERÂNCIA NÃO ESPECIFICADAS	DRW/DES: A.PERUSSI 09FEB2005	Tyco Electronics Corporation Sao Paulo, Brazil	
		CHK/CH: P.L.FARIA 09FEB2005	Tyco Electronics	
		APVD/APR: N.M.SANTOS 09FEB2005	NAME/DESCRIÇÃO: TERMINAL ROUND Ø 2,8 ASSY	
		PRODUCT SPEC		
		APPLICATION SPEC		
		WEIGHT: -/-	SIZE: A3	CAGE CODE: 00779
			DRAWING NO/DESENHO NO: C-493164	RESTRICTED TO: -/-
		CUSTOMER DRAWING/DESENHO DE CLIENTE	SCALE/ESCALA: 5:1	SHEET/FOLHA: 1 DE 1
				REV: A1

WIRE RANGE	1,5-2,5mm ²
INSUL RANGE	Ø4,25mm
MATERIAL	SEE TABLE
FINISH ACABAMENTO	SEE TABLE