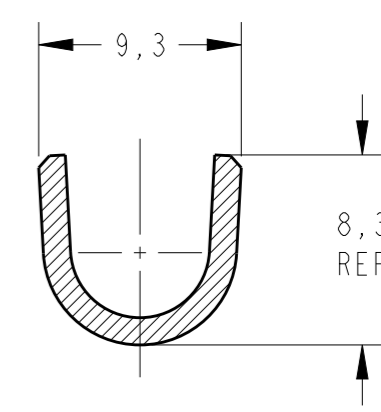
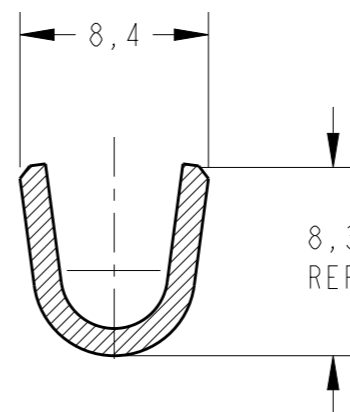
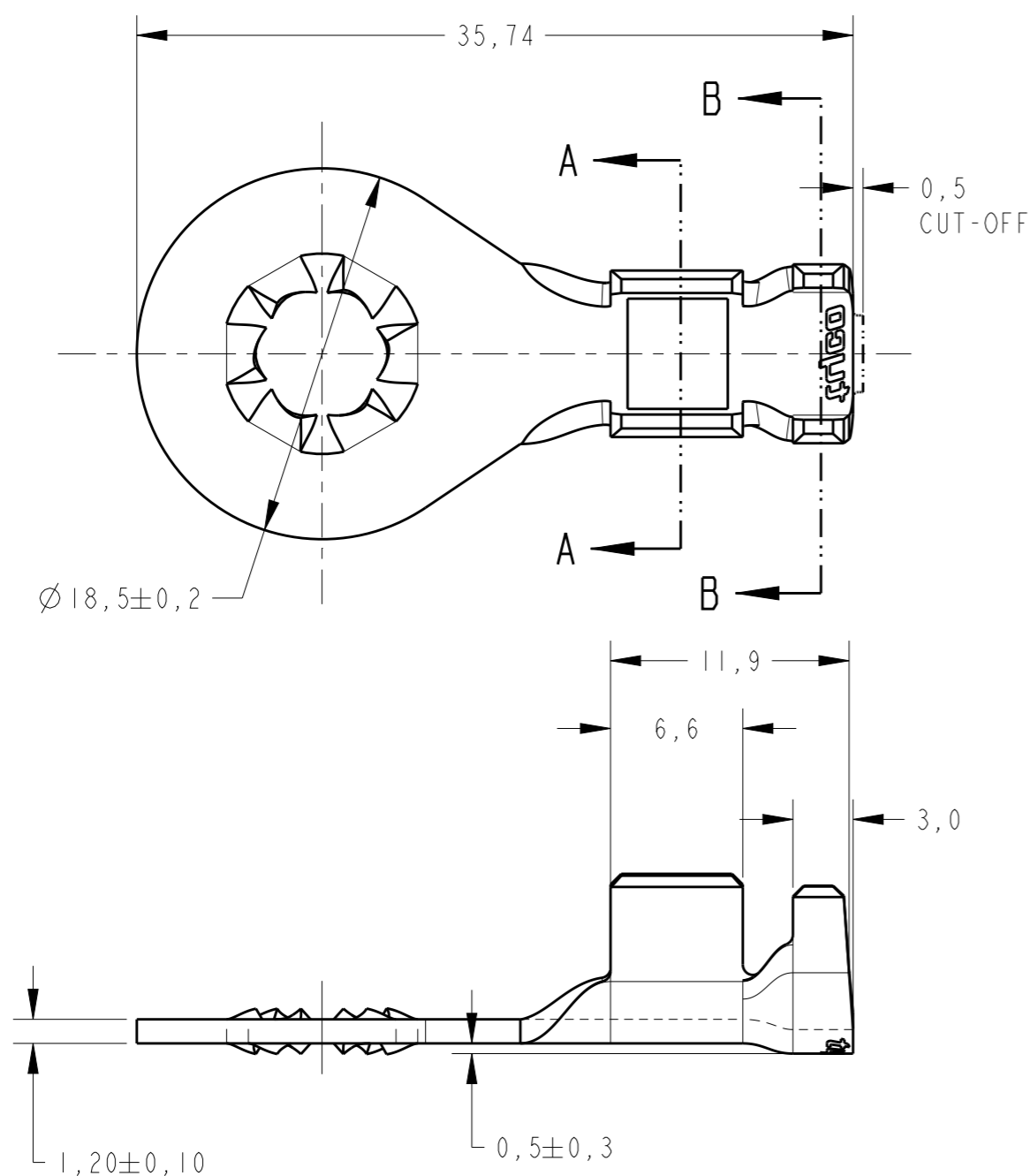


LOC AP DIST -

REVISIONS

P	LTR	DESCRIPTION	DATE	DWN	APVD
	B	REDRAW BY CAD ECO-16-001981	12FEB2016	NCL	DAO

**creo**  
Creo Parametric 2.0  
**DO NOT REVISE EXCEPT BY CAD**



4,0-6,6 mm	6,0-10,0 mm <sup>2</sup>	NÚ / PLAIN	BRONZE FOSF./PHOSF.BRONZE	493072 -2
4,0-6,6 mm	6,0-10,0 mm <sup>2</sup>	ESTANHADO/TIN PLATED	BRONZE FOSF./PHOSF.BRONZE	493072 -1
INS.DIA.RANGE	WIRE RANGE	FINISH	MATERIAL	PART NUMBER

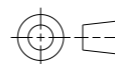
THIS DRAWING IS A CONTROLLED DOCUMENT.

DWN NCLAPRESA 06SEP2013  
CHK JRGOLDSCHMIDT 06SEP2013  
APVD GBONUCCI 06SEP2013

**STE** TE Connectivity

DIMENSIONS: mm

TOLERANCES UNLESS OTHERWISE SPECIFIED:



- 0 PLC ±-
- 1 PLC ±0,3
- 2 PLC ±-
- 3 PLC ±-
- 4 PLC ±-
- ANGLES ±1°

MATERIAL SEE TABLE

FINISH SEE TABLE

WEIGHT -

NAME TERMINAL RING TONGUE ANTIROTATIONAL

SIZE A3 CAGE CODE - DRAWING NO C-493072 RESTRICTED TO -

CUSTOMER DRAWING

SCALE 2:1 SHEET 1 OF 1 REV B

PERSPECTIVE VIEW  
SCALE 1:1

