

REVISIONS				
P.	LTN	DESCRIPTION	DATE	APVD
AS		REVISED PER ECR-19-011518	28AUG2019	BDA SF

- MATES WITH APPROPRIATE UNIVERSAL MATE-N-LOCK™ CAP OR HEADER.
 - SMALL NICKS ARE PERMITTED ON THE CIRCUIT TOWER WHICH COULD INCREASE THE INITIAL HOUSING MATING FORCE BY UP TO 4.4 NEWTONS (1.0 LBS.). NO INDIVIDUAL NICKED TOWER SHALL INCREASE THIS FORCE BY OVER 2.2 NEWTONS (.5 LBS).
 - DIMENSIONS SHOWN REPRESENT PRODUCT IN DRY, AS MOLDED, CONDITION. ADDITIONAL 2% GROWTH DUE TO SUBSEQUENT MOISTURE ABSORPTION MAY OCCUR AND SHOULD BE ACCOUNTED FOR.
- 4 FOUR RIBS EQUALLY SPACED, NO SPECIFIC ORIENTATION. NO RIBS OR SIX RIBS EQUALLY SPACED, NO SPECIFIC ORIENTATION, OPTIONAL.
 5 UNDERWRITERS RECOGNIZED COMPONENT LOGO AND CSA CERTIFICATION LOGO TO BE LOCATED ONCE ON ANY SIDE OF HOUSING.
 6 SHOWN FOR CONVENIENCE: AMP OR TE LOGO MAY BE ON ANY EXTERNAL SURFACE.

BLACK	1-480700-9
GRAY	1-480700-8
BLUE	1-480700-6
GREEN	1-480700-5
YELLOW	1-480700-4
ORANGE	1-480700-3
RED	1-480700-2
BROWN	1-480700-1
NATURAL	1-480700-0
COLOR	PART NUMBER

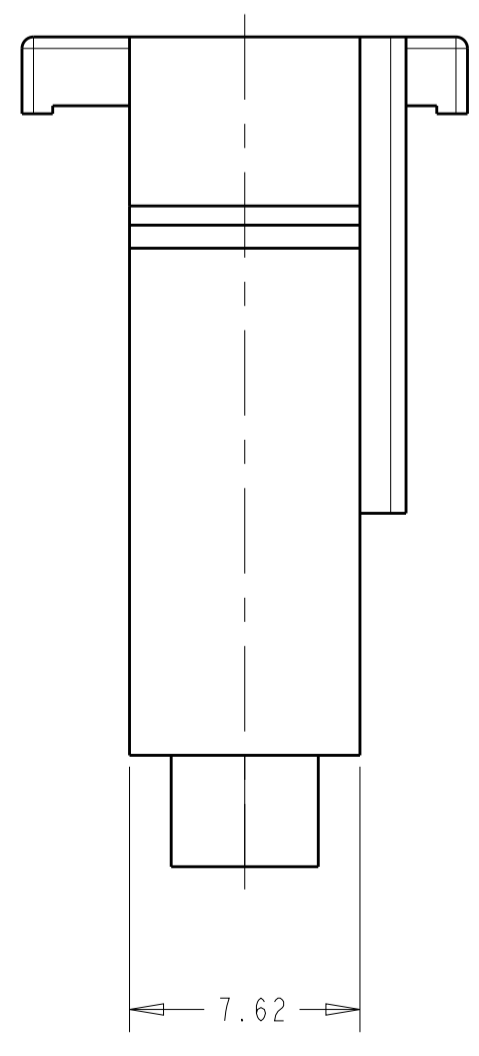
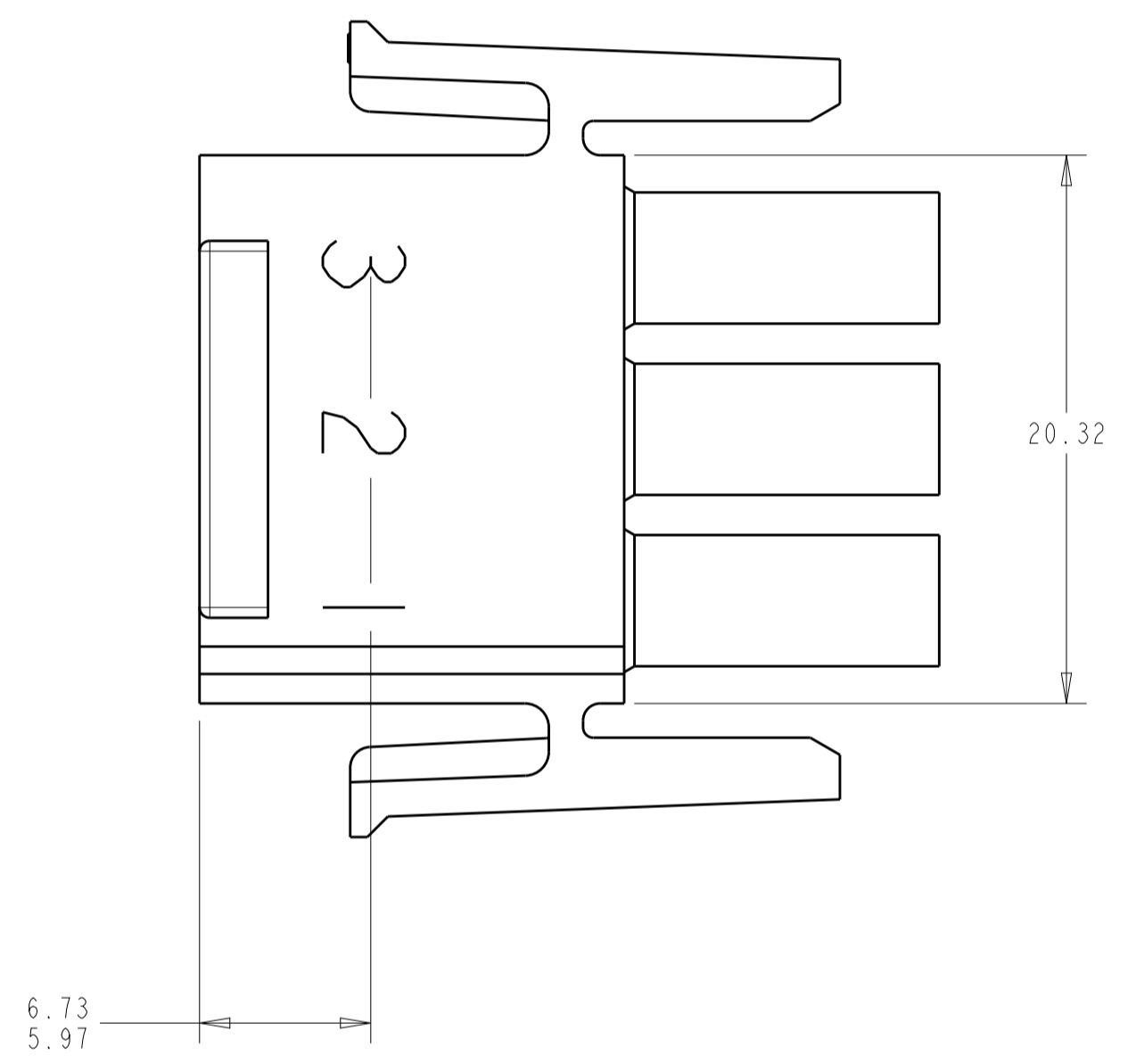
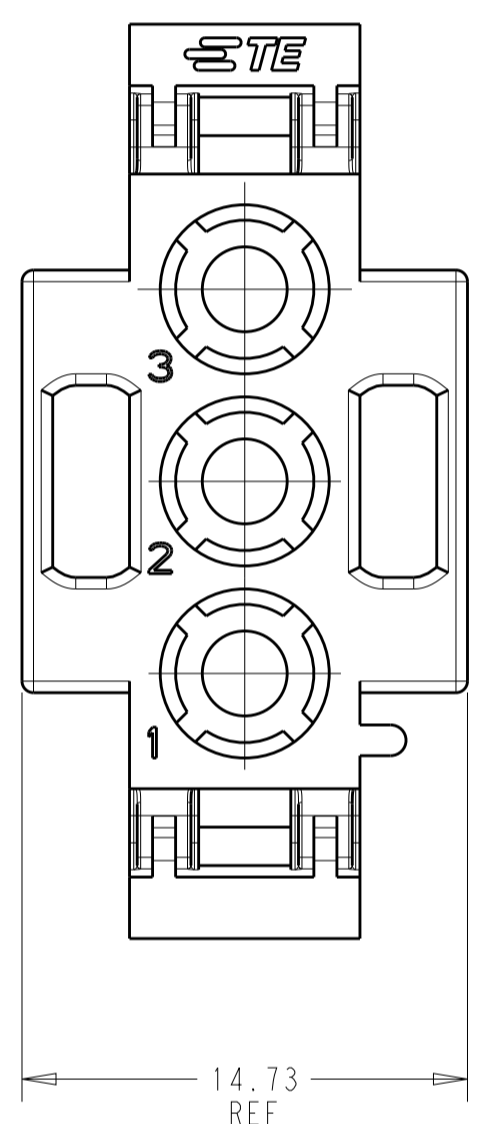
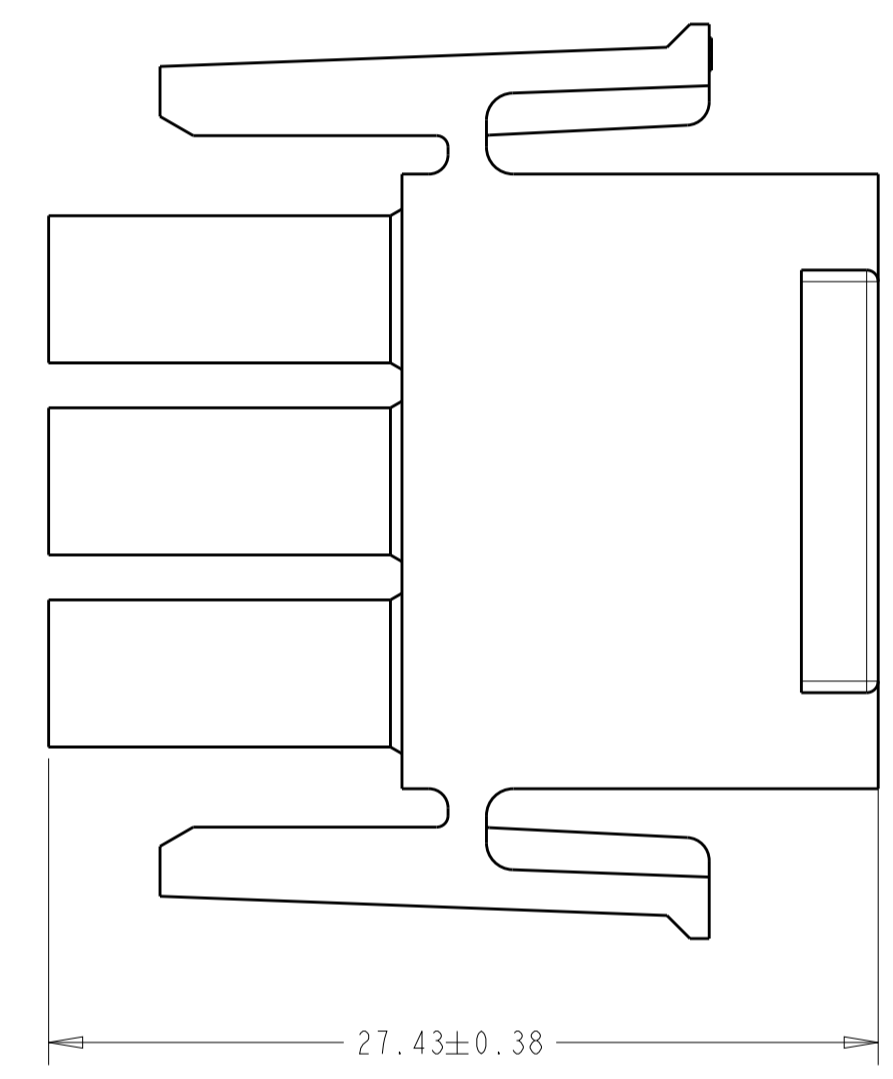
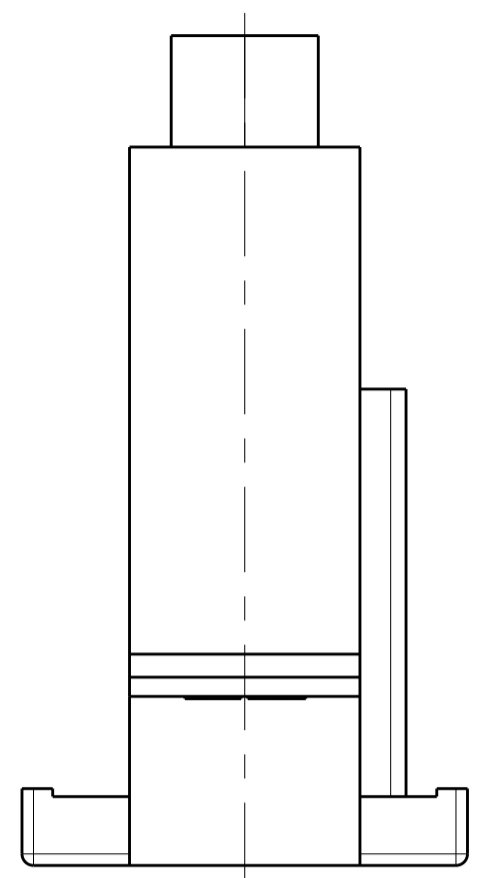
THIS DRAWING IS A CONTROLLED DOCUMENT.

DIMENSIONS:	TOLERANCES UNLESS OTHERWISE SPECIFIED:	OWN: B. WEAVER 08MAY2019	CHK: S. FERNANDES 08MAY2019	APVD: T. BENCHOFF 08MAY2019	NAME: PLUG, 3 CIRCUIT, UNIVERSAL MATE-N-LOCK
mm	0 PLC ± 2 PLC ±0.13 3 PLC ± 4 PLC ±	APVD: T. BENCHOFF 08MAY2019	PRODUCT SPEC	APPLICATION SPEC	SIZE: A 00779 C=480700
	ANGLES ±40°/30°	FINISH	WEIGHT	CUSTOMER DRAWING	RESTRICTED TO
MATERIAL: NYLON UL 94V-2					SCALE: 4:1 SHEET 1 OF 2 REV: AS

STC TE Connectivity

REVISIONS				
P.	LTN	DESCRIPTION	DATE	APVD
-	-	SEE SHEET 1	-	-

1. STAMP NUMBERS 3.18 HIGH AT WIRE END OF HOUSING (12 POINT DAVID TYPE).
2. CHARACTERS TO BE STAMPED ON HOUSING IN A MANNER AS TO BE READ FROM WIRE END ONLY.
3. VIOLET, BLACK, BROWN, AND BLUE COLORED BLOCKS TO BE STAMPED WITH WHITE CHARACTERS. ALL OTHER COLORED BLOCKS TO BE STAMPED WITH BLACK CHARACTERS.



NATURAL	2-480700-0
COLOR	PART NUMBER

THIS DRAWING IS A CONTROLLED DOCUMENT.		DWN B. WEAVER 08MAY2019 CHK S. FERNANDES 08MAY2019 APVD T. BENCHOFF 08MAY2019		
DIMENSIONS: mm 	TOLERANCES UNLESS OTHERWISE SPECIFIED: 0 PLC ± 1 PLC ± 2 PLC ±0.13 3 PLC ± 4 PLC ± ANGLES ±40°30'	PRODUCT SPEC APPLICATION SPEC WEIGHT	NAME PLUG, 3 CIRCUIT, UNIVERSAL MATE-N-LOCK SIZE CAGE CODE DRAWING NO. 00779 C=480700 RESTRICTED TO	
MATERIAL NYLON UL 94V-2		CUSTOMER DRAWING	SCALE 4:1	SHEET 2 OF 2