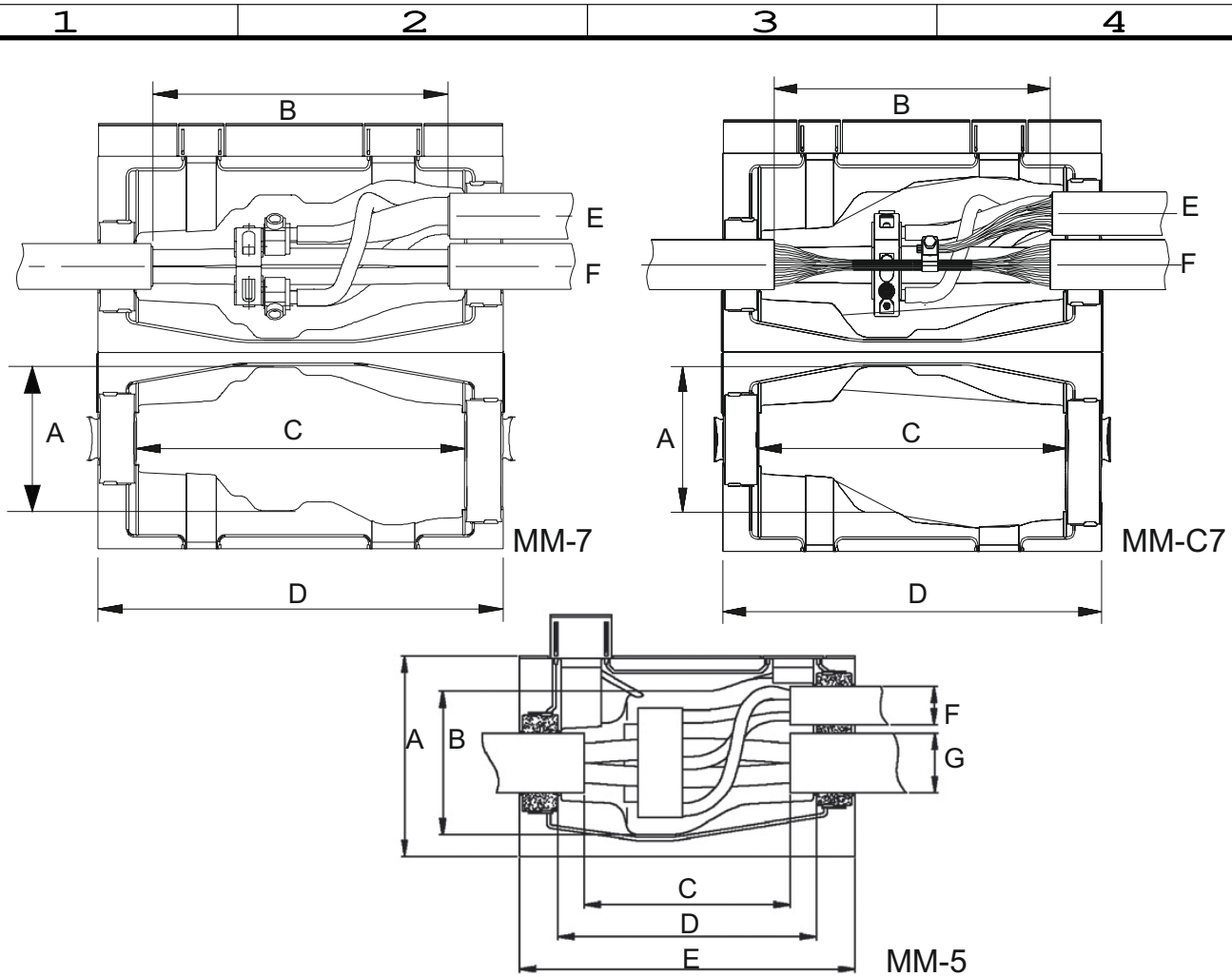


Copying of the document and giving it to other and the use or communication of the contents thereof, are forbidden without express authority. Offenders are liable to the payment of damages. All rights are reserved in the event of the grant of a patent or the registration of a utility model or design.



| PRODUCT DIMENSIONS | | | |
|--------------------|-----------|---------|----------|
| | MM-5 | MM-7 | MM-C7 |
| A | 175 | Ø 170 | Ø 170 |
| B | 125 | 330 | max. 350 |
| C | 150 - 180 | 390 | 390 |
| D | 225 | 480 | 480 |
| E | 295 | 25 - 58 | 25 - 58 |
| F | 18 - 36 | 36 - 62 | 36 - 62 |
| G | 27 - 55 | - | - |

Dimensions in mm

| | | | | | | | |
|-------------------------|--------------|------|----|---------------------------|--------|---|------------------|
| Customer Drawing | | | | | | | |
| | | | | 2020 | DATE | NAME | MM-Joints |
| | | | | DRAWN | 21.01. | Beckmann | |
| | | | | CHECKED | | | |
| | | | | TE connectivity | | Tyco Electronics Raychem GmbH Werk Berlin | |
| | | | | CD-MM-JOINTS | | | |
| | | | | DRAWING NO.: | | | |
| | | | | REPLACEMENT FOR: | | | |
| REV. | MODIFICATION | DATE | N. | CAD NO.: | | | |