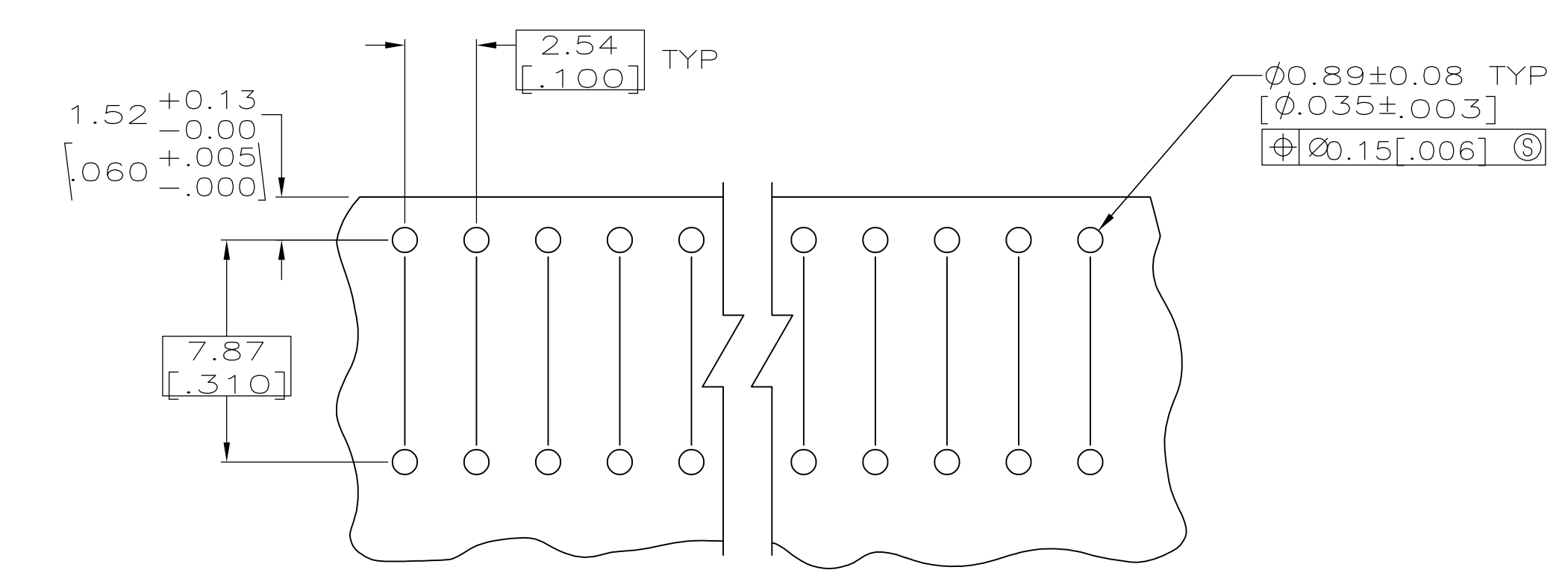
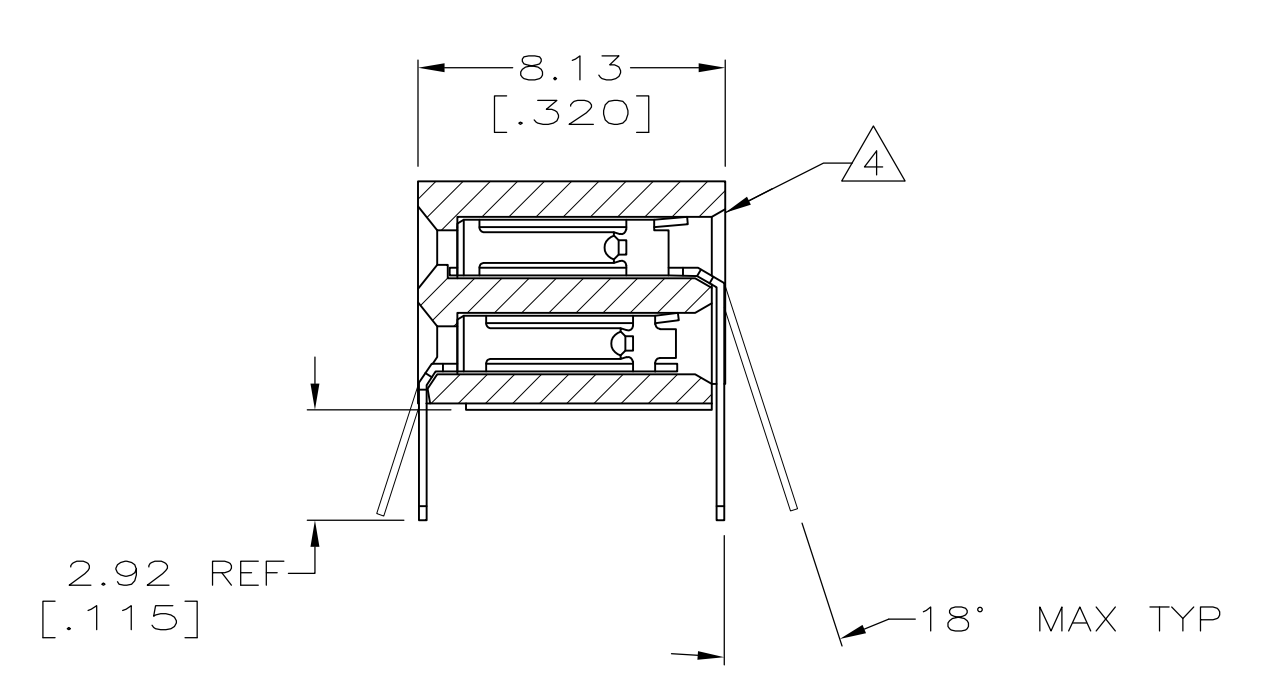
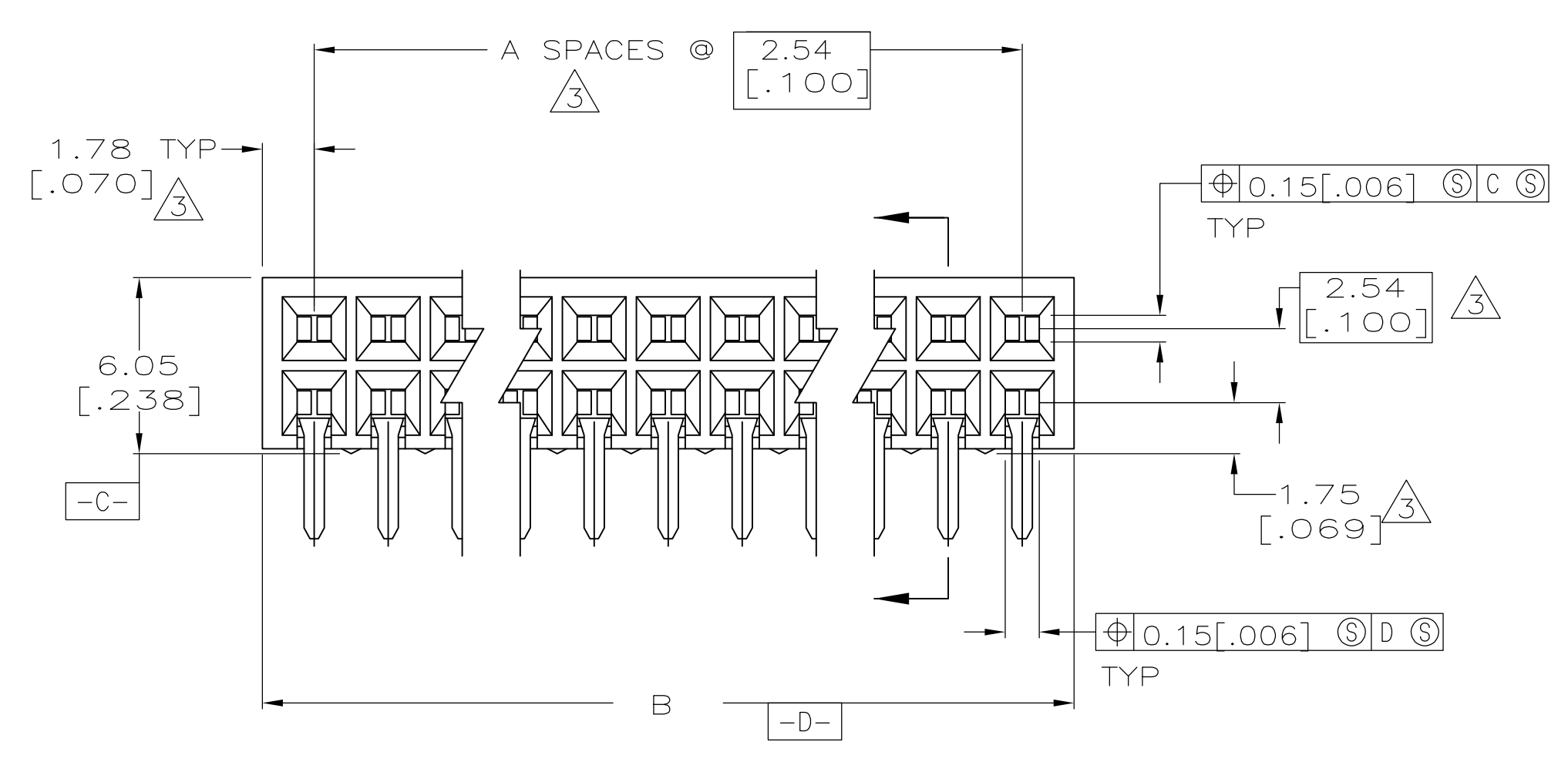
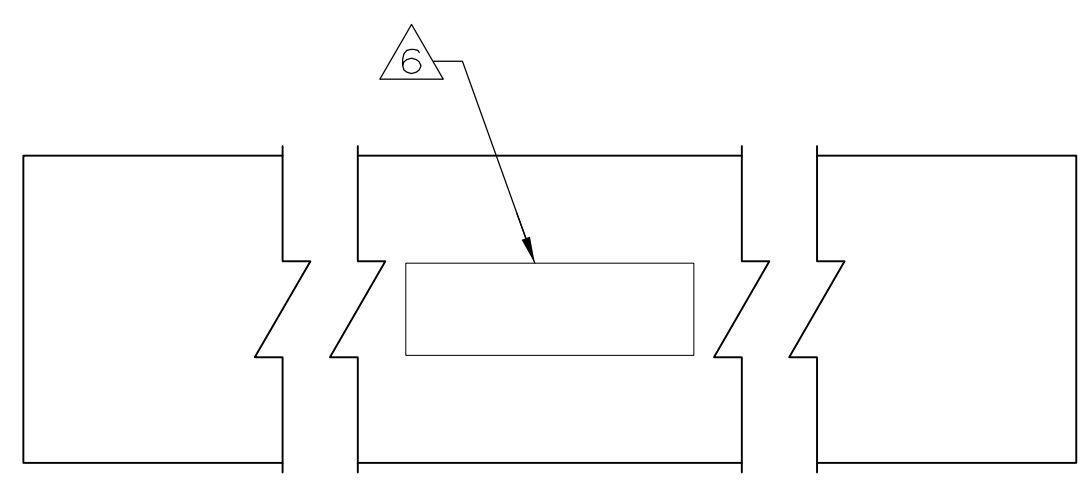


1. QUALITY CONFORMANCE INSPECTION PER MIL-C-55302 (GROUP A, B & C).
2. PACKAGED PER MIL-C-55302
3. THESE DIMENSIONS PERTAIN TO CAVITY CENTERLINES ONLY, NOT TO CONTACT LOCATIONS.
4. SLOT OPTIONAL AT INDICATED AREA OF HOUSING.
5. CONTACTS: 0.00127[.000050] GOLD OVER 0.00076 TO 0.00381 [.000030 TO .000150] NICKEL ENTIRE CONTACT.
6. MARKED IN APPROXIMATE AREA SHOWN. EXAMPLE: AMP, DATE CODE AND PART NUMBER.
7. "CSA" LOGO MARKED ON HOUSING.



RECOMMENDED PC BOARD HOLE LAYOUT

3.540	34	70	449687-2
2.840	27	56	449687-1
B	A	NO OF POSN	PART NUMBER

THIS DRAWING IS A CONTROLLED DOCUMENT.

DIMENSIONS: INCHES	TOLERANCES UNLESS OTHERWISE SPECIFIED:	DIN T. ALEXANDER 9-10-93	CHK D. MILLER 9-13-93	APVD	NAME
0. PLC ± -	1. PLC ± -	2. PLC ± -	3. PLC ± 0.25(.010)	4. PLC ± -	ANGLES ± -
MATERIAL: HOUSING:	FINISH: 5	WEIGHT: -	SIZE: A1	CAGE CODE: 00779	DRAWING NO: 449687
CUSTOMER DRAWING			SCALE: 5:1	SHEET: 1 OF 1	REV: D

**STE** TE Connectivity

HOUSING ASSEMBLY, MOD II, DOUBLE ROW, IN LINE 2.54[.100]