

REVISIONS				
P	LTR	DESCRIPTION	DATE	APVD
	B	REV PER ECO 19-015129	10-4-19	CT RL


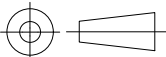
- 1 . ITEMS PACKAGED IN POLY BAG & LABELED WITH AMP PART NUMBER AND DATE CODE.
- 2 KEYING POST
 MAT'L: ZINC ALLOY PER ASTM B 86
 FINISH: ELECTROLESS NICKEL PER MIL-C-26074
- KEYING PLATE
 MAT'L: ALUMINUM ALLOY PER AMS-QQ-A-250
 FINISH: BLUE ANODIZED PER MIL-A-8625
- KEYING SCREWS
 MAT'L: PASSIVATED STAINLESS STEEL

THIS DRAWING IS UNPUBLISHED.

ALL RIGHTS RESERVED.

© COPYRIGHT - TE Connectivity Ltd.

448012-1
 PART NUMBER

DIMENSIONS: INCHES	DWN	W.P.LEUFERT	7-23-91	MATERIAL	-	FINISH	-				
	CHK	S.E.WRIGHT	7-24-91	 TE Connectivity							
TOLERANCES UNLESS OTHERWISE SPECIFIED:	APVD	S.E.WRIGHT	7-24-91								
0 PLC ± -	PRODUCT SPEC			NAME							
1 PLC ± -	-			KEYING KIT, ARINC 600, PLUG							
2 PLC ± -	APPLICATION SPEC			-							
3 PLC ± -	SIZE	CAGE CODE	DRAWING NO	RESTRICTED TO							
4 PLC ± -	A4	00779	C-448012	-							
ANGLES ± -	WEIGHT			0.000000							
				CUSTOMER DRAWING		SCALE	1:1	SHEET	1 OF 1	REV	B