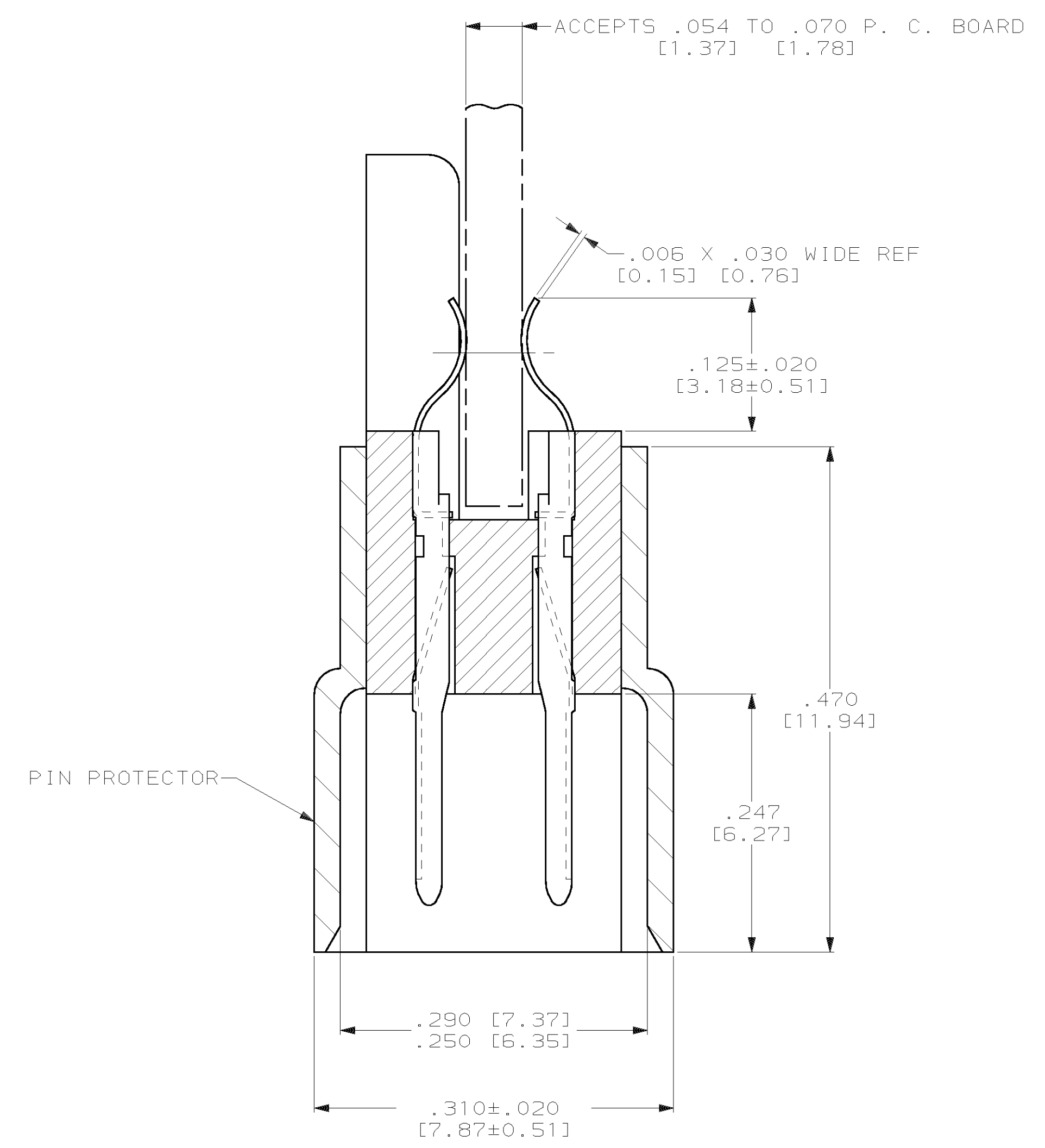
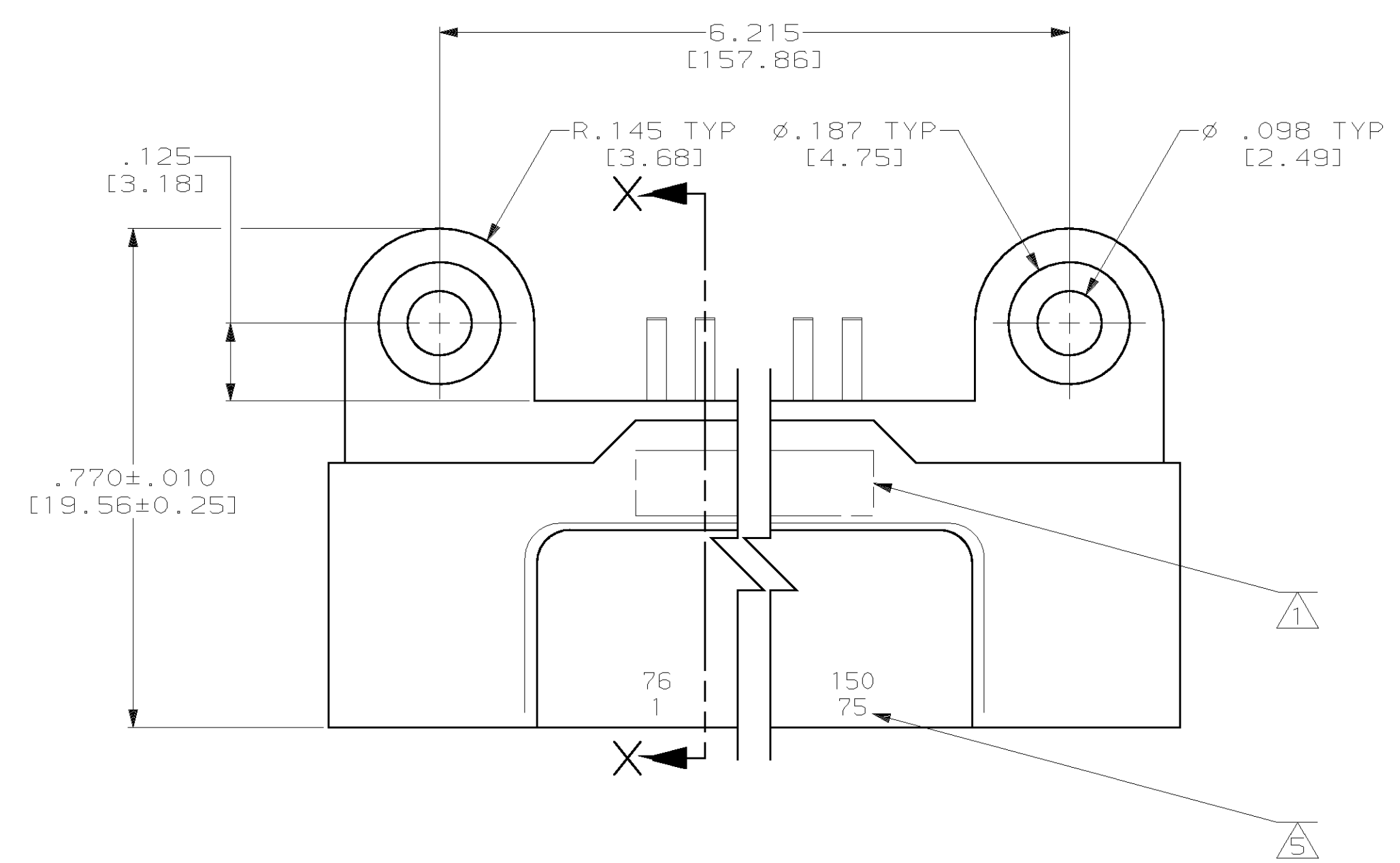
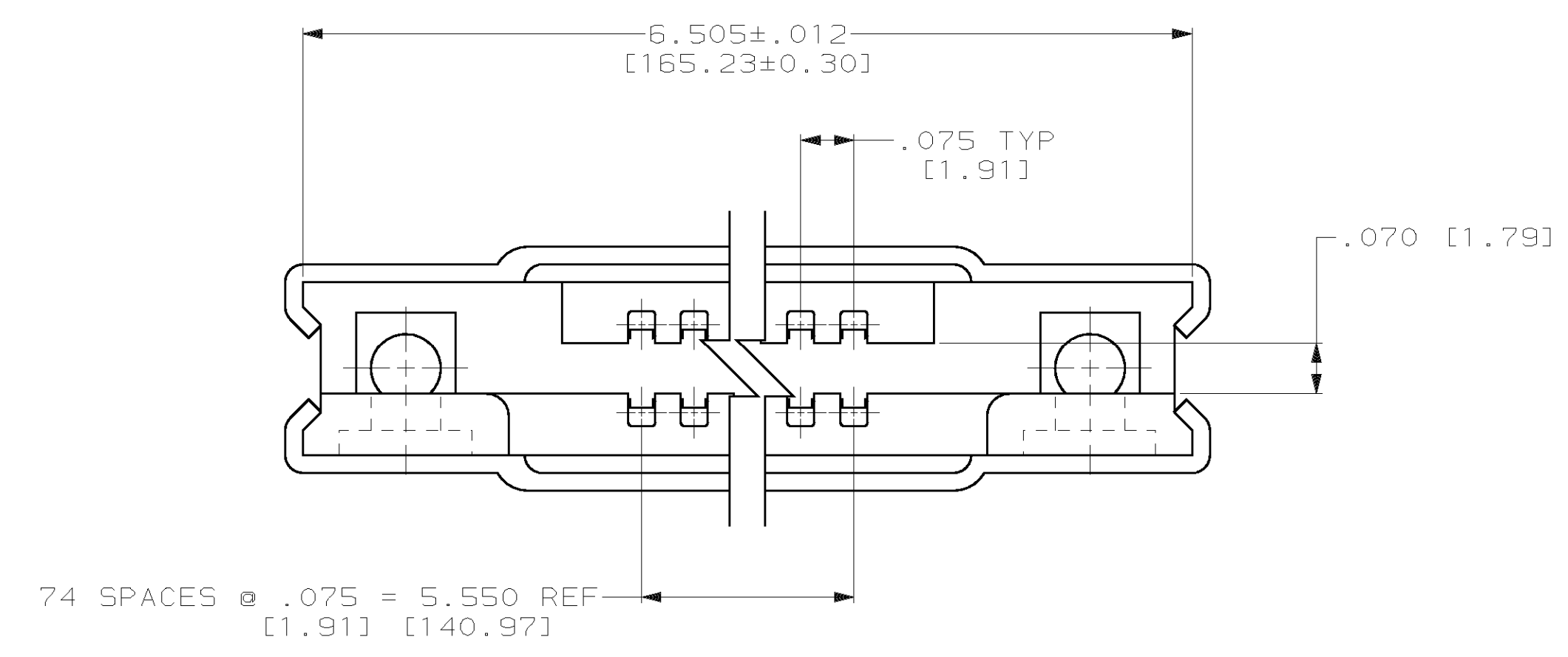
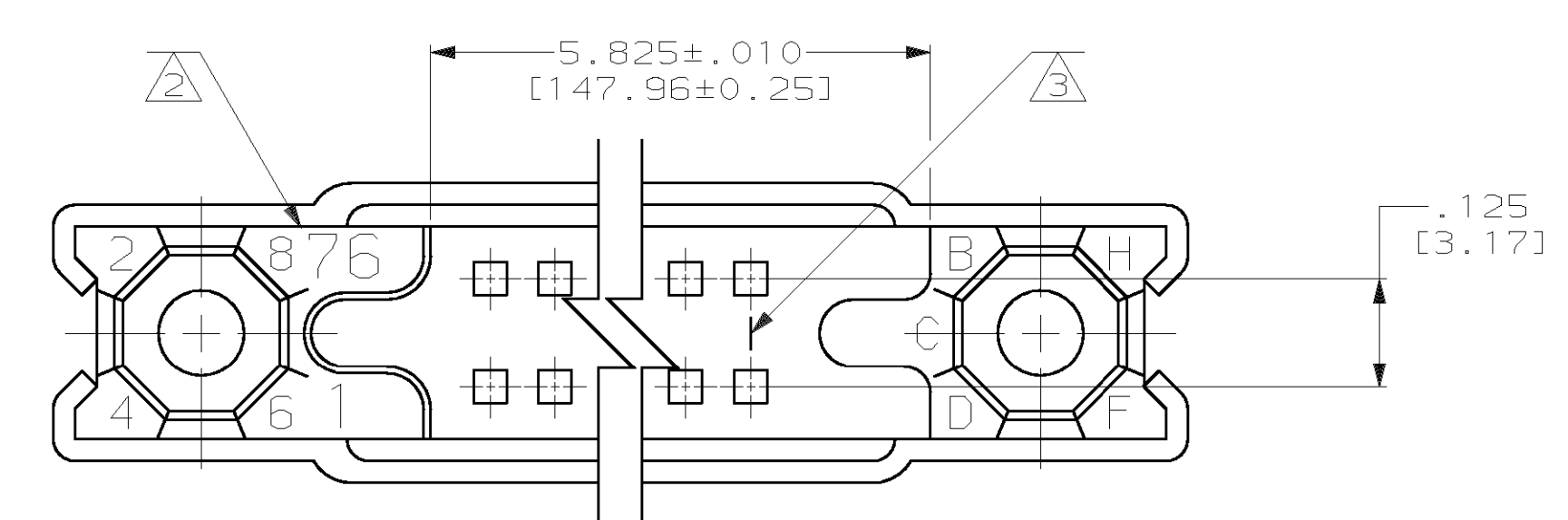


LOC		DIST		P		ZONE		LTR		REVISIONS		DATE	APPD	
DF	FO	P	F							DESCRIPTION				
										B	ADD -2 PER 063D-0057-00	CT	2-00	DM



SECTION X-X  
SCALE 10:1



- △ MARKED WITH CUSTOMER PART NUMBER (IF REQUIRED), 00779, DATE CODE, AMP PART NUMBER AND AMP IN AREA SHOWN.
- △ END CAVITIES MOLDED OR MARKED AS SHOWN
- △ LINES INDICATING EVERY FIVE CAVITIES MOLDED OR MARKED ON MATING FACE AS SHOWN.
- △ MEETS REQUIREMENTS OF GE DRAWING 2629931.
- △ NUMBER INDICATING EVERY FIVE CAVITIES MOLDED OR MARKED ON SIDE AS SHOWN.

REMARKS	CUSTOMER PART NUMBER	CAVITY IDENTIFICATION	PART NUMBER
		76, 1	447873-2
△	2629931-18	76, 1	447873-1

DO NOT SCALE PRINT. UNLESS SPECIFIED DIMENSIONS IN INCHES [mm] TOLERANCES ON: 2 PLC DEC ± — 3 PLC DEC ± .005 [0.13] ANGLES ± —		DR 5-31-91 T. SHUEY CHK 6-25-91 G. GRIFFITH APPD 6-25-91 G. GRIFFITH		AMP Incorporated Harrisburg, PA 17105-3508	
MATERIAL —		NAME			
FINISH —		PRODUCT SPEC —		PIN HEADER ASSEMBLY, 750 SERIES BOX, CARD EXTENDER, WITH PIN PROTECTORS	
APPLICATION SPEC —		SIZE D	CAGE CODE 00779	DRAWING NO 447873	
WEIGHT —		SCALE 5:1	SHEET 1 OF 1		