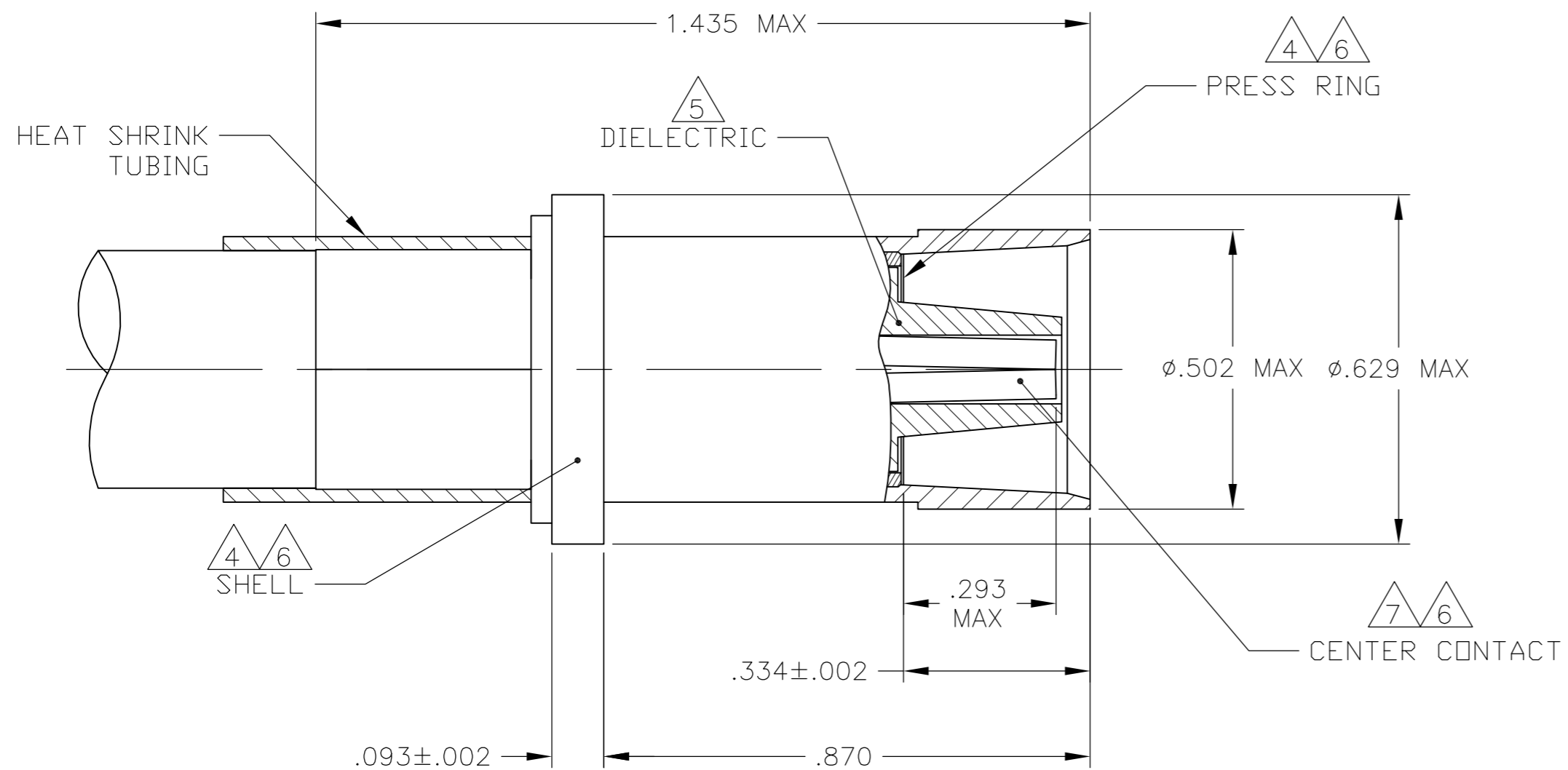


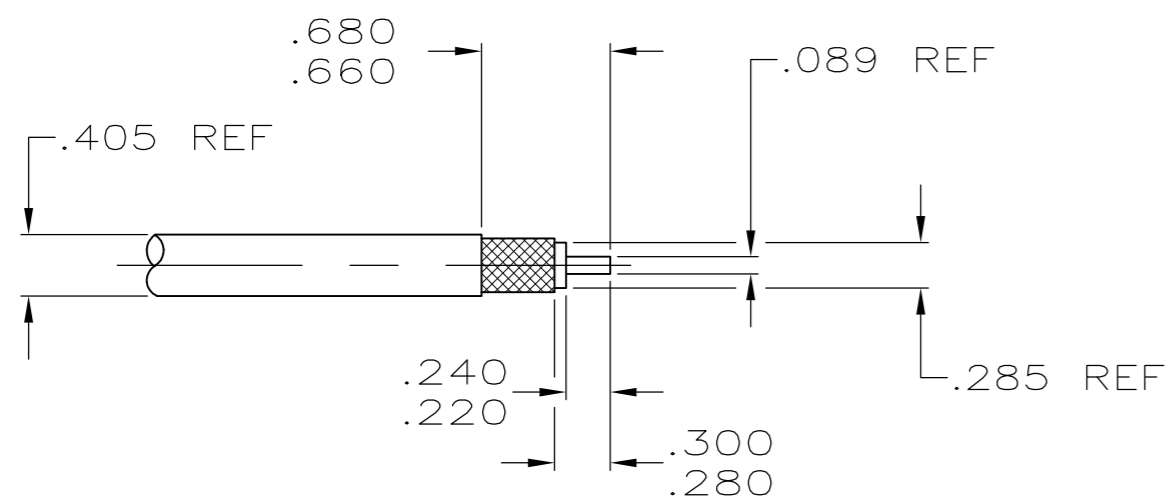
THIS DRAWING IS UNPUBLISHED. RELEASED FOR PUBLICATION  
 © COPYRIGHT - By - ALL RIGHTS RESERVED.

LOC		DIST		REVISIONS			
P	LTR	DESCRIPTION		DATE	DWN	APVD	
-	-	RELEASED		8-20-15	CT	CT	



- FOR USE WITH EMTEQ PFLX340-500 CABLE.
- BRAID CRIMP: USE MILITARY TOOL M22520/5-01, WITH DIE SET M22520/5-25, CAVITY A OR EQUIVALENT
- CENTER CONTACT CRIMP: USE MILITARY TOOL M22520/5-01, WITH DIE SET M22520/5-25, CAVITY B OR EQUIVALENT

- 4 BRASS PER QQ-B-626
- 5 TEFLON PER MIL-P-19468
- 6 GOLD PLATED PER ASTM-B-288
- 7 BERYLLIUM COPPER PER ASTM-B-196



RECOMMENDED STRIP LENGTH  
SCALE 1:1

447087-6  
PART NUMBER

THIS DRAWING IS A CONTROLLED DOCUMENT.		DWN C.C.THOMAS 8-20-15																				
DIMENSIONS: INCHES		CHK W.MOYER 8-23-15																				
TOLERANCES UNLESS OTHERWISE SPECIFIED:		APVD W.MOYER 8-23-15	NAME COAXIAL CONTACT, SOCKET, SIZE 1																			
<table border="0"> <tr><td>0 PLC</td><td>±</td><td>-</td></tr> <tr><td>1 PLC</td><td>±</td><td>-</td></tr> <tr><td>2 PLC</td><td>±</td><td>-</td></tr> <tr><td>3 PLC</td><td>±</td><td>.005</td></tr> <tr><td>4 PLC</td><td>±</td><td>-</td></tr> <tr><td>ANGLES</td><td>±</td><td>-</td></tr> </table>		0 PLC	±	-	1 PLC	±	-	2 PLC	±	-	3 PLC	±	.005	4 PLC	±	-	ANGLES	±	-	PRODUCT SPEC -	SIZE A2	CAGE CODE 00779
0 PLC	±	-																				
1 PLC	±	-																				
2 PLC	±	-																				
3 PLC	±	.005																				
4 PLC	±	-																				
ANGLES	±	-																				
MATERIAL -	FINISH -	APPLICATION SPEC -	DRAWING NO C=447087-6	RESTRICTED TO -																		
CUSTOMER DRAWING		WEIGHT -	SCALE 4:1	SHEET 1 of 1																		