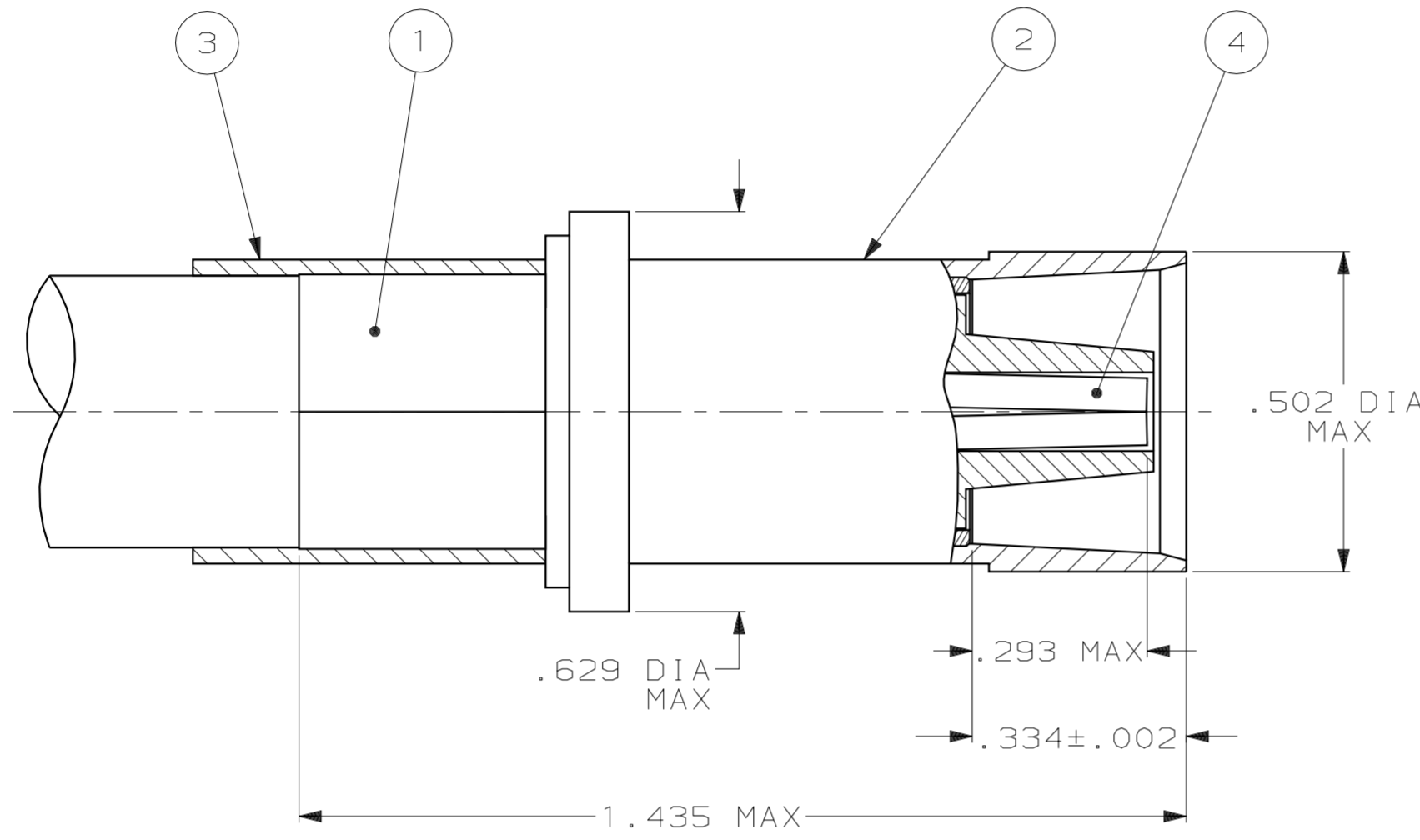
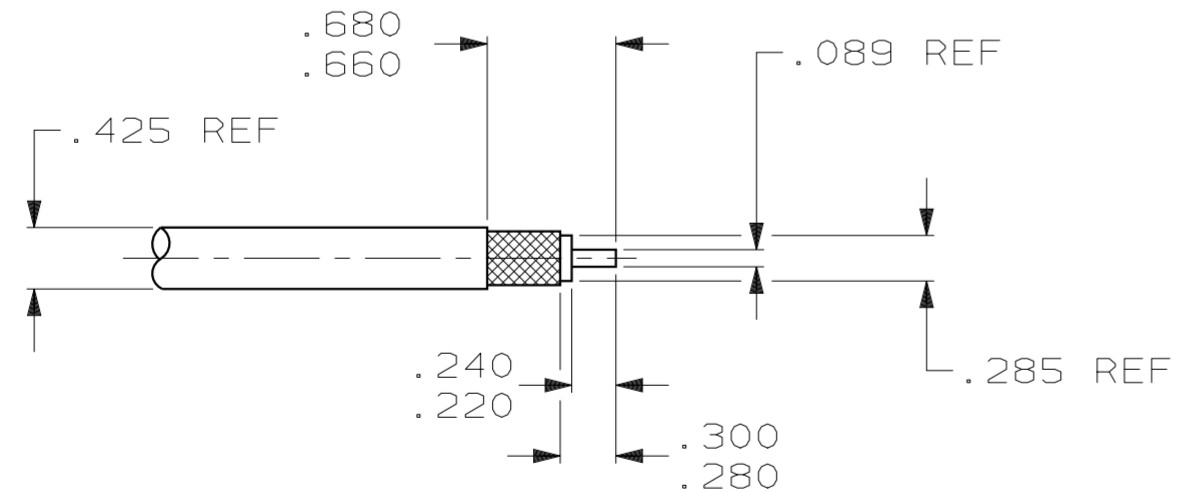


THIS DRAWING IS UNPUBLISHED. RELEASED FOR PUBLICATION ,19 .
 © COPYRIGHT 19 BY AMP INCORPORATED. ALL INTERNATIONAL RIGHTS RESERVED.

LOC	DIST	P	F	ZONE	LTR	DESCRIPTION	DATE	APPD
DF	XO				0	RELEASED NPR 90-0064	3-5-90	PY



- FOR USE WITH RG-214/U
- BRAID CRIMP: USE MILITARY TOOL M22520/5-01, WITH DIE SET M22520/5-25, CAVITY A OR EQUIVALENT
- CENTER CONTACT CRIMP: USE MILITARY TOOL M22520/5-01, WITH DIE SET M22520/5-25, CAVITY B OR EQUIVALENT



RECOMMENDED STRIP LENGTH
SCALE 1:1

QTY	PART NO	DESCRIPTION	ITEM NO
1	447091-3	CONTACT, FEMALE	4
1	228143-4	HEAT SHRINK TUBING	3
1	447101-1	SOCKET ASSEMBLY	2
1	446556-9	FERRULE	1

DO NOT SCALE PRINT. UNLESS SPECIFIED DIMENSIONS IN INCHES TOLERANCES ON : 2 PLC DEC ± - 3 PLC DEC ± .005 ANGLES ± -		DR P. YEAGER 2-13-90	AMP INCORPORATED Harrisburg, Pa. 17105	
MATERIAL -		CHK J. CABARLO 2-26-90		
FINISH -		APPD R. HOSLER 2-28-90	NAME COAXIAL CONTACT, SOCKET, SIZE 1	
-		APPD *		
-		PRODUCT SPEC -	SIZE C	FSCM NO 00779
-		APPLICATION SPEC -	DRAWING NO 447087-1	
-		WEIGHT -	SCALE 4:1	SHEET 1 OF 1