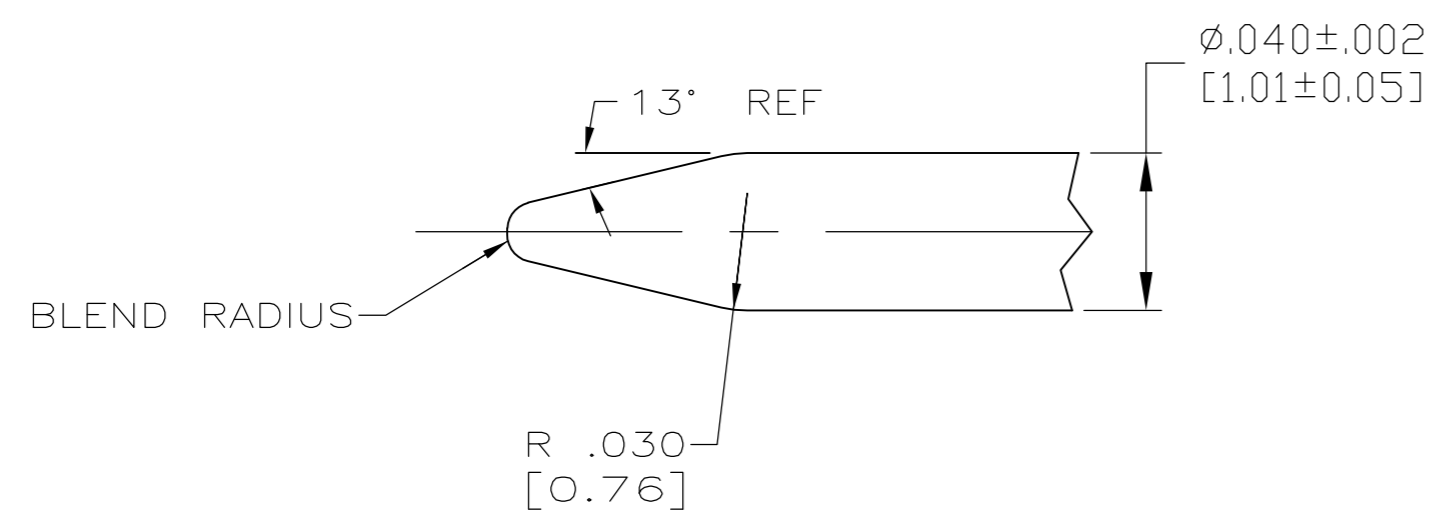
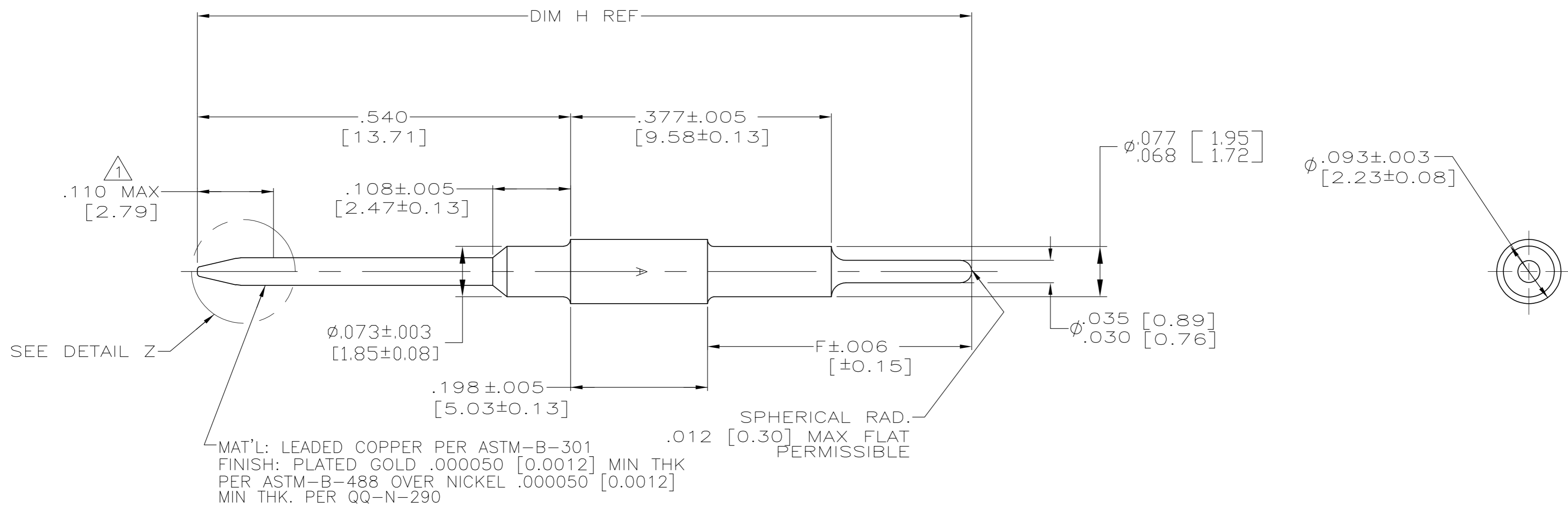


THIS DRAWING IS UNPUBLISHED. RELEASED FOR PUBLICATION
 © COPYRIGHT BY TYCO ELECTRONICS CORPORATION. ALL INTERNATIONAL RIGHTS RESERVED.

LOC		DIST		REVISIONS			
P	LTR	DESCRIPTION	DATE	DWN	APVD		
E		REV PER ECO 09-009734	4-23-09	CT	KT		

1 ELECTRICAL ENGAGEMENT POINT.



DETAIL Z
SCALE 20:1

1.210 [30.73]	.472 [11.99]	446546-5
1.255 [31.88]	.517 [13.13]	446546-3
1.120 [28.45]	.382 [9.70]	446546-1
DIM H REF	DIM F	PART NUMBER

THIS DRAWING IS A CONTROLLED DOCUMENT.		DWN C.C.THOMAS 3-5-90	Tyco Electronics Corporation Harrisburg, PA 17105-3608	
DIMENSIONS: INCHES [mm]		CHK S.WRIGHT 3-7-90	NAME PIN CONTACT, SIZE 20, ARINC 600	
TOLERANCES UNLESS OTHERWISE SPECIFIED:		APVD S.WRIGHT 3-7-90	PRODUCT SPEC	
0 PLC ± -		APPLICATION SPEC		
1 PLC ± -		SIZE A2		
2 PLC ± -		CAGE CODE 00779		
3 PLC ± .010 [0.25]		DRAWING NO C=446546		
4 PLC ± -		RESTRICTED TO		
ANGLES ± -		SCALE 8:1		
FINISH SEE CALLOUT		SHEET 1 of 1		
MATERIAL SEE CALLOUT		REV E		
SEE CALLOUT		CUSTOMER DRAWING		