

4

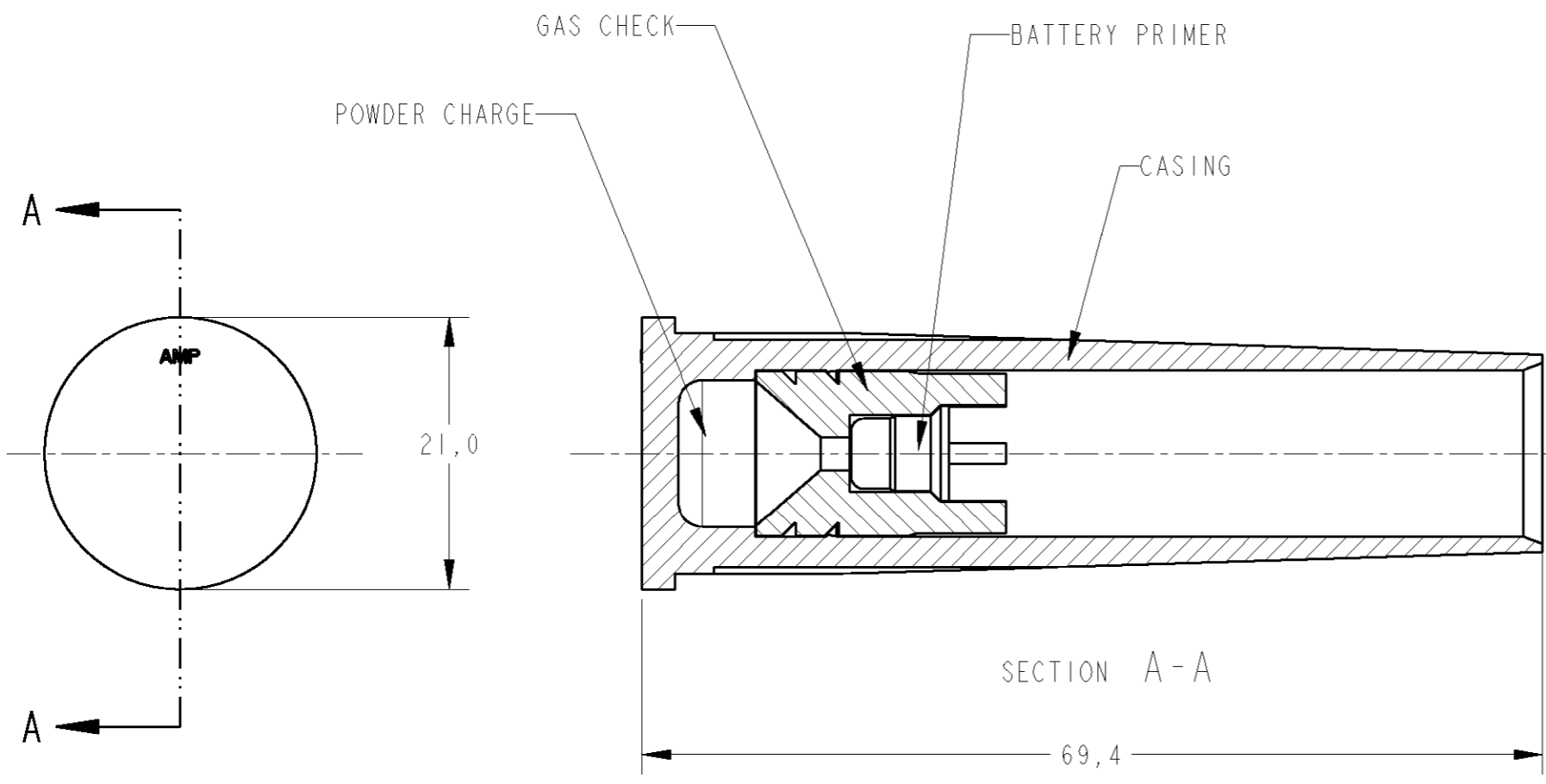
3

2

1

THIS DRAWING IS UNPUBLISHED. RELEASED FOR PUBLICATION .19 .  
 © COPYRIGHT 19 BY AMP INCORPORATED. ALL RIGHTS RESERVED.

LOC	DIST	REVISIONS					
		P	LTR	DESCRIPTION	DATE	DWN	APVD
AP	-		0	RELEASED	05JUN1997	CAF	JLS
			A	REVISED BY EC LB00 0136/02	23MAY2002	VF	JAL
			B	REVISED BY EC LB00 0164/02	24JUN2002	VF	JAL



1 THE CARTRIDGE ARE SUPPLIED IN 25 UNITS PACKAGING.  
 1 OS CARTUCHOS SÃO FORNECIDOS EM EMBALAGEM COM 25 UNIDADES.

WHITE/BRANCO	444504-5
YELLOW/AMARELO	444504-4
RED/VERMELHO	444504-2
GREEN/VERDE	444504-3
BLUE/AZUL	444504-1
COLOUR	PART NUMBER

<small>THIS DRAWING IS A CONTROLLED DOCUMENT FOR AMP INCORPORATED. IT IS SUBJECT TO CHANGE AND THE CONTROLLING ENGINEERING ORGANIZATION SHOULD BE CONTACTED FOR THE LATEST REVISION.</small>		DWN <b>C.A. FERNANDES</b> 05JUN97 CHK <b>W. BELLINI Jr.</b> 05JUN97 APVD <b>J.A.I.A. SALVIA</b> 05JUN97	<b>AMP</b> AMP do Brasil LTDA. São Paulo, Brasil
DIMENSIONS: mm 	TOLERANCES UNLESS OTHERWISE SPECIFIED: 0 PLC ±- 1 PLC ±1,5 2 PLC ±- 3 PLC ±- 4 PLC ±- ANGLES ±-	PRODUCT SPEC - APPLICATION SPEC - WEIGHT -	NAME <b>AMPACT CARTRIDGE ASS'Y</b>
MATERIAL -	FINISH -	CUSTOMER DRAWING	SIZE <b>A3</b> CAGE CODE <b>00779</b> DRAWING NO <b>444504</b>
		SCALE <b>2:1</b>	SHEET <b>1</b> OF <b>1</b> REV <b>B</b>