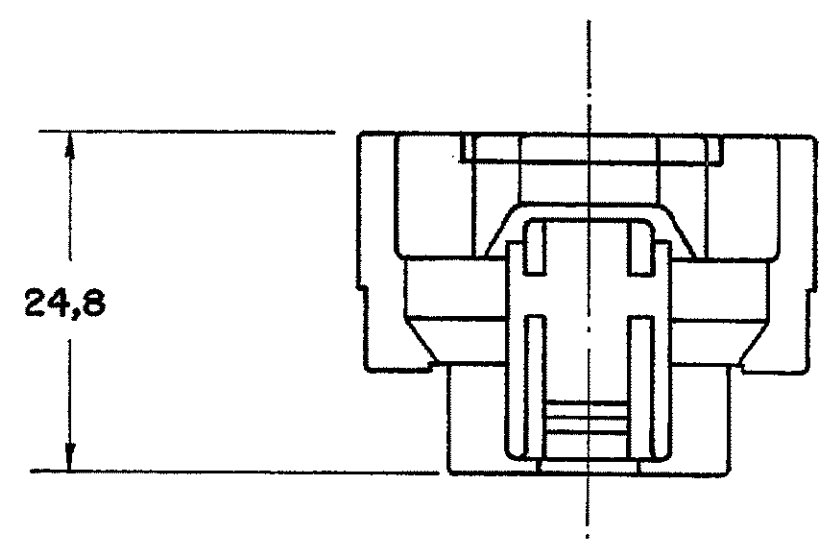
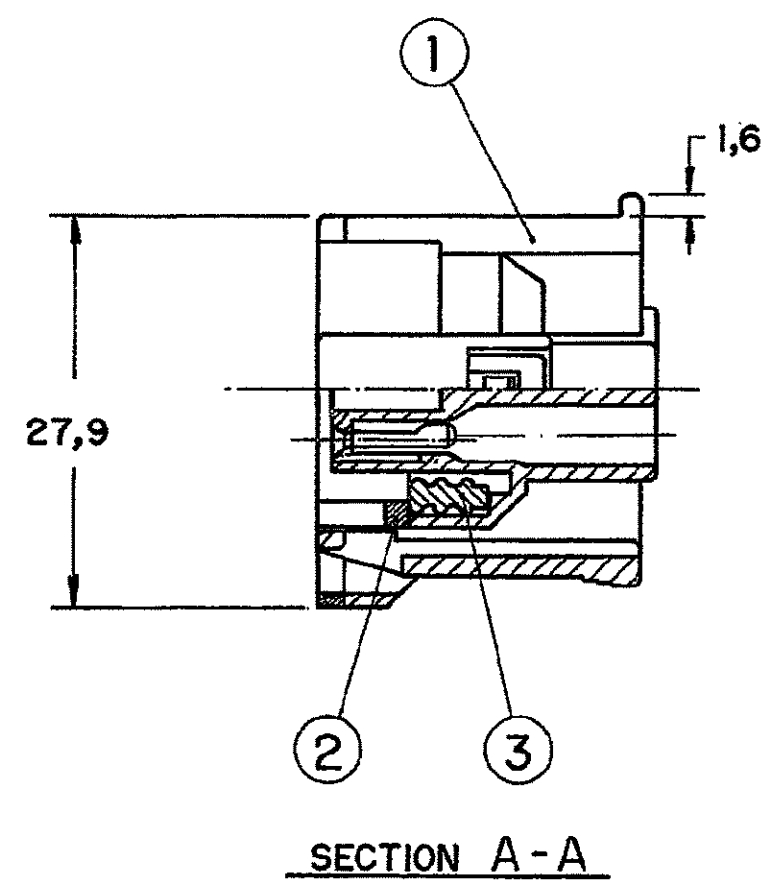
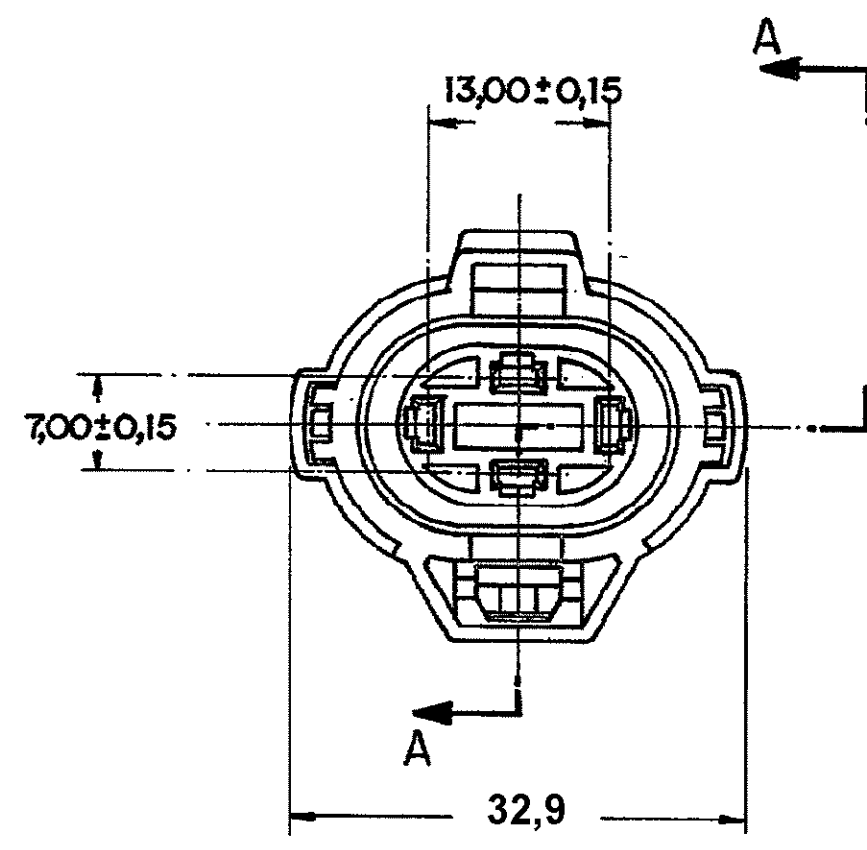


SHEET 1 of 1
C444407

DWG NO. 444407		DO NOT SCALE		METRIC		3rd ANGLE PROJECTION	
		DIMENSIONS IN mm.					
REQ. PER ASSY	ITEM	DESCRIPTION	MATERIAL	FINISH			
1	1	HSG. 4 POSN. 2,8S. FASTIN-ON RCPT.	P.A. 6.6	NATURAL			
1	2	LOCKING	P.A. 6.6	NATURAL			
1	3	CONNECTOR SEAL	SILICONE	VERDE (GREEN)			
1	1	HSG. 4 POSN. 2,8S. FASTIN-ON RCPT.	P.A. 6.6	PRETO (BLACK)			
1	2	LOCKING	P.A. 6.6	PRETO (BLACK)			
1	3	CONNECTOR SEAL	SILICONE	VERDE (GREEN)			



-DEVERÃO CONSTAR GRAVAÇÕES:
 MARCA REGISTRADA TE
 NÚMERO DA PEÇA TE
 PAÍS PRODUTOR.
 CÓDIGO DO PAÍS PRODUTOR.
 NÚMERO DA CAVIDADE.

- STAMP THAT MUST BE EVIDENT :
 TE TRADEMARK.
 TE PART NUMBER.
 MANUFACTURER COUNTRY.
 MANUFACTURER COUNTRY CODE.
 CAVITY NUMBER.

FINISH		MATERIAL		PART NUMBER	
CUSTOMER DWG for REFERENCE ONLY					
<small>THIS DRAWING IS UNPUBLISHED. RELEASED FOR PUBLICATION.</small>					
<small>© COPYRIGHTS BY AMP DO BRASIL LTDA S.P. ALL INTERNATIONAL RIGHTS RESERVED. AMP PRODUCTS MAY BE COVERED BY U.S. AND FOREIGN PATENTS AND/OR PATENTS PENDING.</small>					
TOLERANCES UNLESS OTHERWISE STATED		INS. DIA RANGE		WIRE RANGE SCALE	
DEC. ± 0,3					
ANGLES ± 1°					
DR. M.L. OGAWA		Tyco Electronics		TYCO ELECTRONICS Brasil LTDA. Sao Paulo, Brasil	
REV. BY ECO-0900205		CHK. J.R. GOLDSCHMIDT		DESCRIPTION HSG. ASSY, 4 POSN., 2,8S FASTIN-ON RCPT.	
REVISOR		DATE		DWG NO	
E.A. SFEIR		9 DEC 94		A2	
REVISION RECORD		ECN		SHEET 1 OF 1	