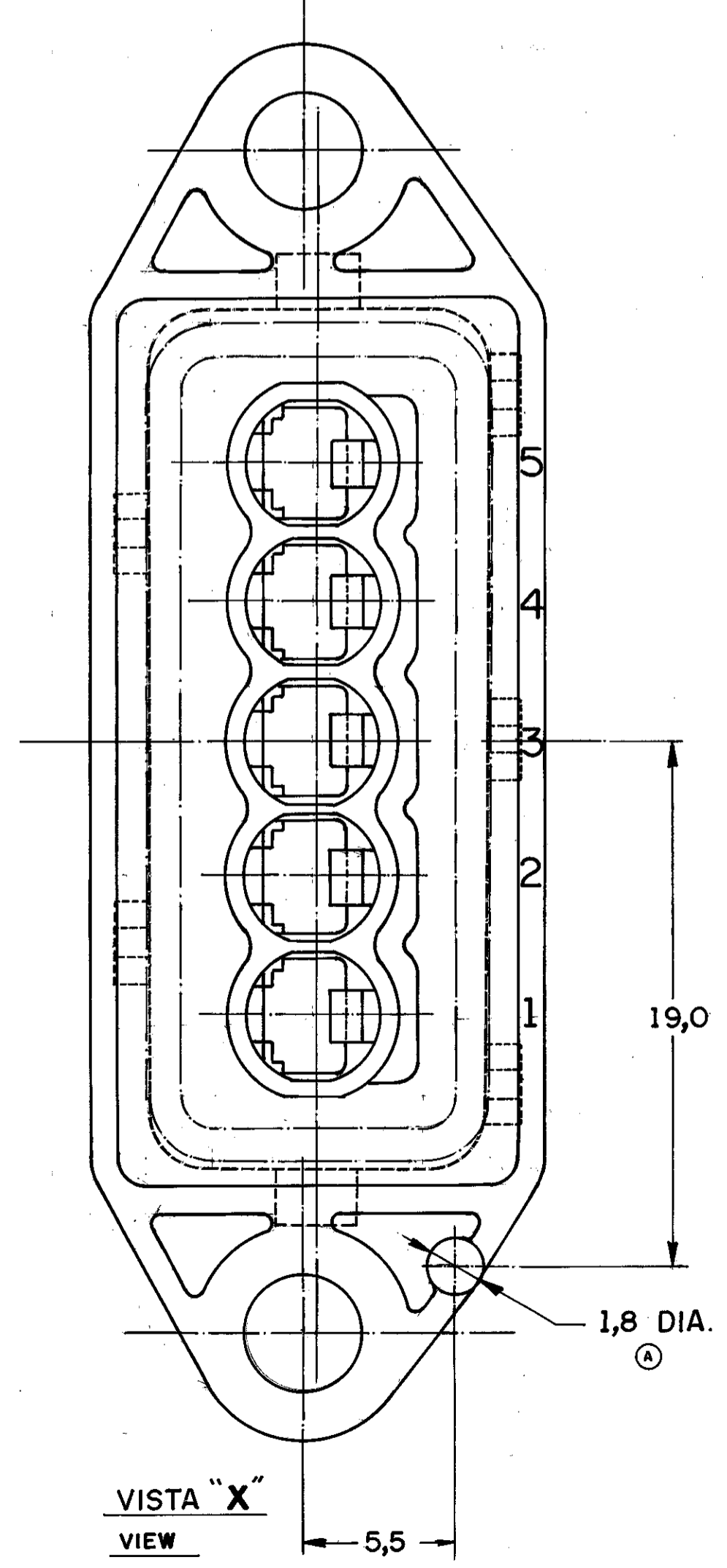
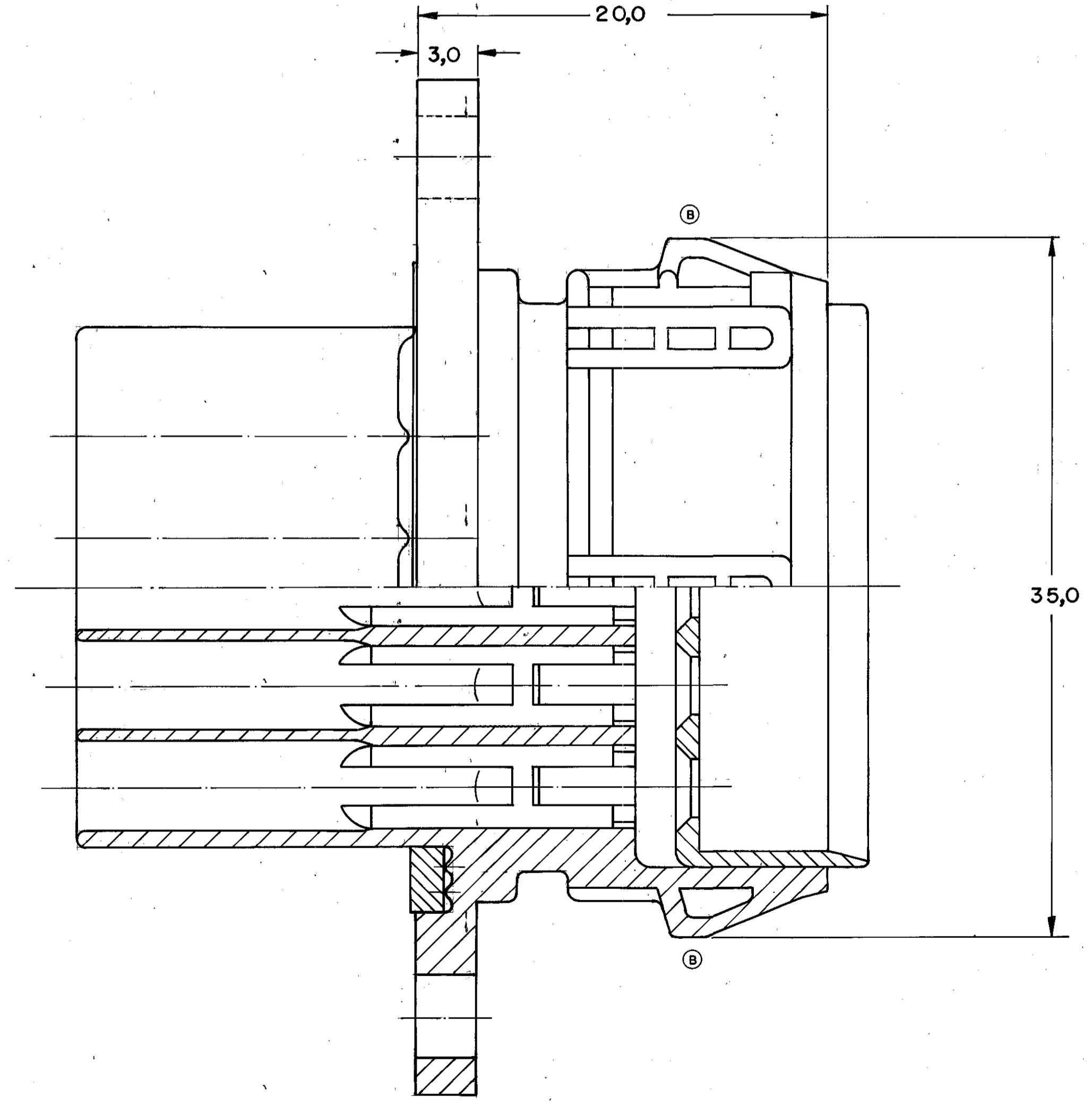
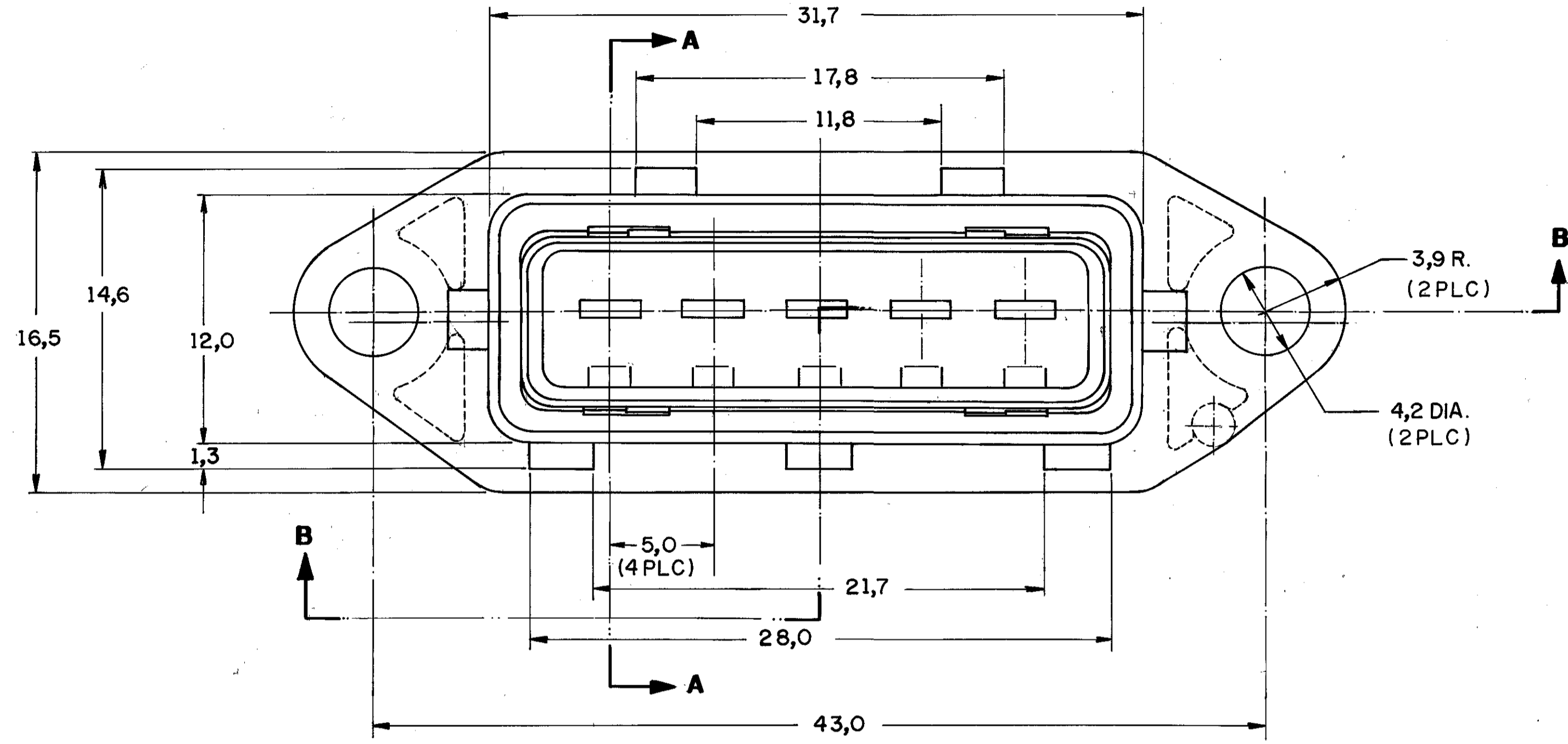
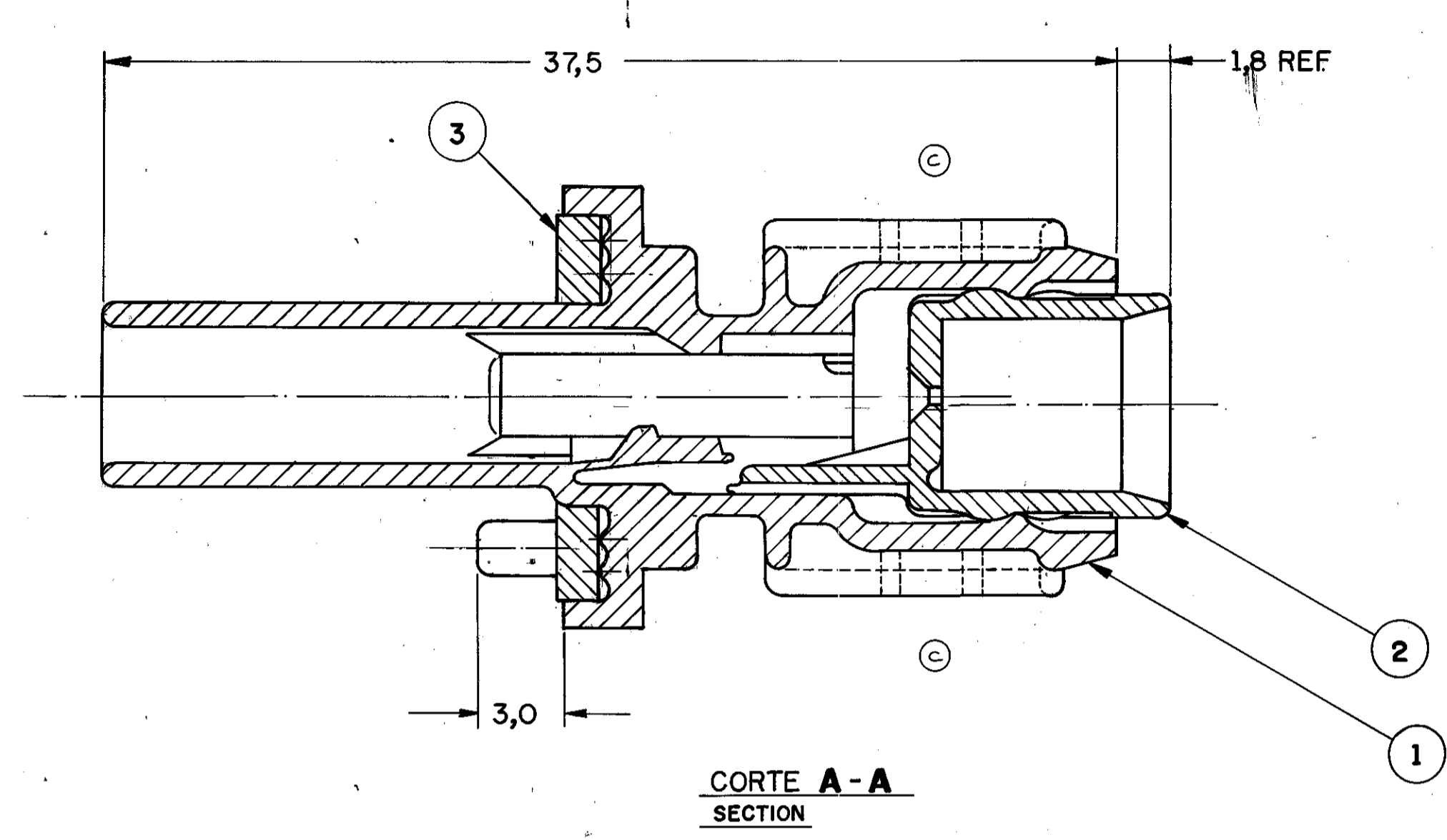


C444343 1:1

444343		DO NOT SCALE		METRIC		3rd ANGLE PROJECTION	
		DIMENSIONS IN mm.					
REQ. PER ASSY	ITEM No	DESCRIPTION	MATERIAL	FINISH			
1	1	HOUSING, 5 POSN., JUNIOR POWER TIMER, TAB.	PA.6.6+30% FV.(GF)	PRETO (BLACK)			
1	2	SPACER, 5 POSN., JUNIOR POWER TIMER, TAB.	PA.6.6+30% FV.(GF)	AMARELO(YELLOW)			
1	3	RUBBER SEAL	SILICONE	LARANJA(ORANGE)			



- 1 - OS ITENS 1, 2 E 3 SÃO FORNECIDOS COMO MOSTRADOS.
- 2 - GRAVAÇÕES QUE DEVERÃO CONSTAR: MARCA REGISTRADA AMP, CÓDIGO DO PAÍS PRODUTOR, PAÍS PRODUTOR, NÚMERO DA PEÇA AMP, IDENTIFICAÇÃO DA CAVIDADE, IDENTIFICAÇÃO DE CIRCUITO E NOMENCLATURA DO MATERIAL.
- ITENS 1, 2 AND 3 ARE SUPPLIED AS SHOWN.
- STAMP THAT MUST BE EVIDENT: AMP TRADEMARK, MANUFACTURER COUNTRY CODE, MANUFACTURER COUNTRY, AMP PART NUMBER, CAVITY IDENTIFICATION, CIRCUIT IDENTIFICATION AND MATERIAL NOMENCLATURE.

OTHER TREATMENT	FINISH	MATERIAL	PART NUMBER
CUSTOMER DWG for REFERENCE ONLY			
THIS DRAWING IS UNPUBLISHED		RELEASED FOR PUBLICATION	
COPYRIGHT 1984 BY AMP DO BRASIL LTDA SP		ALL INTERNATIONAL RIGHTS RESERVED. AMP PRODUCTS ARE COVERED BY US AND FOREIGN PATENTS AND/OR PATENTS PENDING.	
TOLERANCES UNLESS OTHERWISE STATED	DEC. 20.3	ANGLES 2:1	SCALE 5:1
DR. 03-JUN-94	D.A. Rocha		
REVISED BY LE (03/06/94)	CHK. 06-07/94	DESCRIPTION HOUSING ASSY, 5 POSN., JUNIOR POWER TIMER, TAB.	
B CONFIG CHANGE EC591-06	PLF. 27-07/94	AMP do BRASIL LTDA	
A DIMENSION WAS 2,0	DE 28-08/94	São Paulo, Brasil	
O WAS 93-29152	DR. 28-JUN-94	Dwg No	
REV. REVISION RECORD	DR. CHK. DATE	APP. 03-JUN-94	
		A1 C 444343 1 of 1	

This information is confidential and is disclosed to you on condition that you will not disseminate it without the written authorization from AMP DO BRASIL S.P.