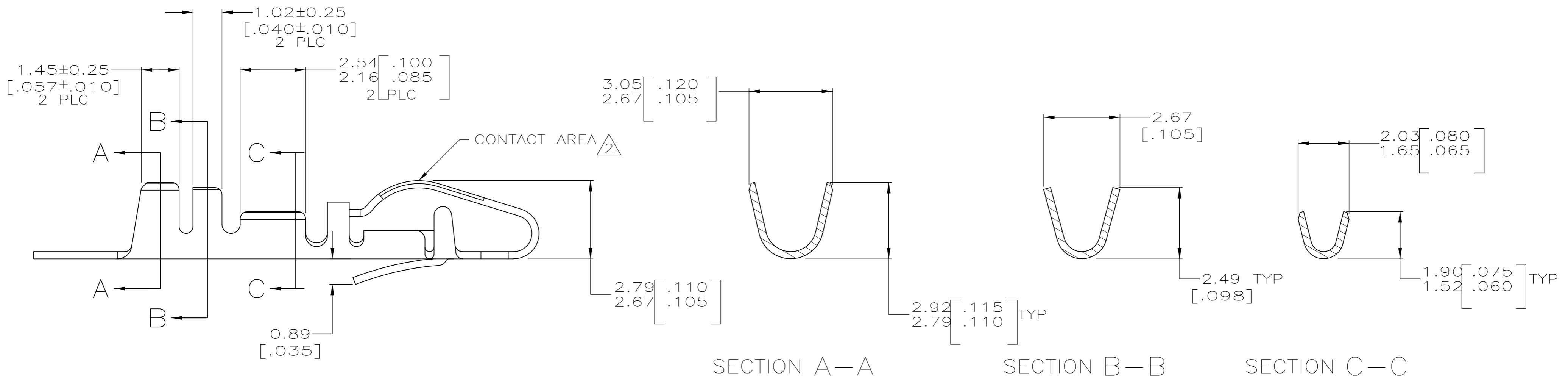
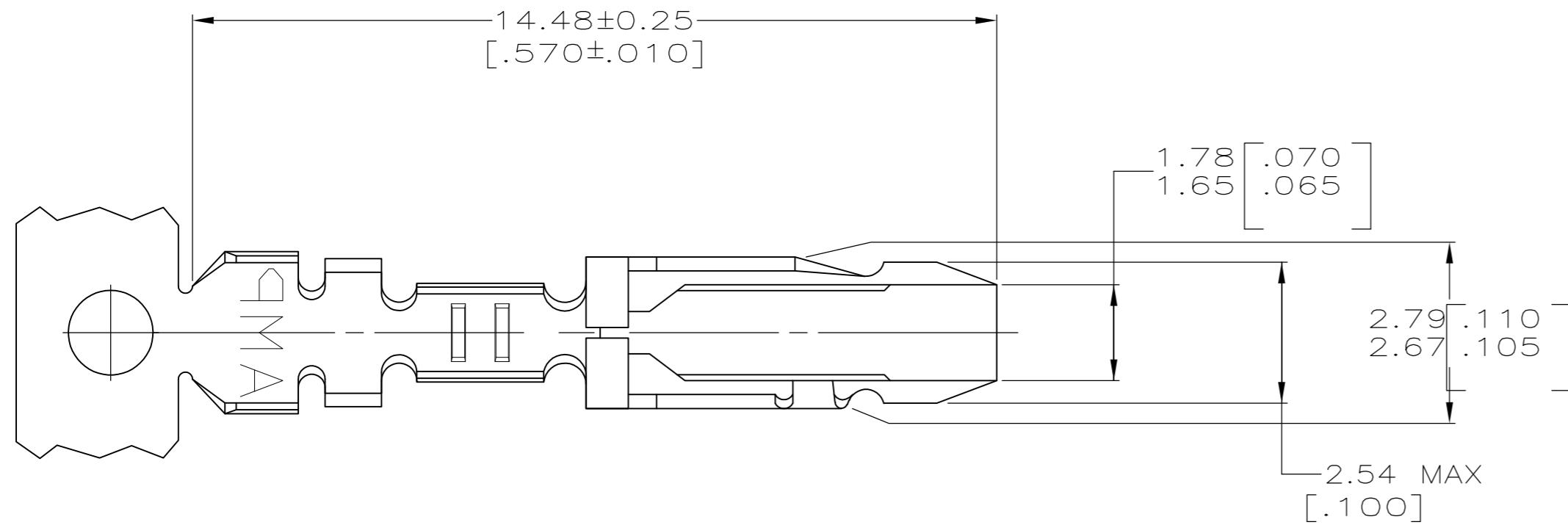


THIS DRAWING IS UNPUBLISHED. RELEASED FOR PUBLICATION
 © COPYRIGHT BY TYCO ELECTRONICS CORPORATION. ALL INTERNATIONAL RIGHTS RESERVED.

LOC	DIST	REVISIONS					
FT	22	P	LTR	DESCRIPTION	DATE	DWN	APVD
		AE		REVISED PER ECO-11-004875	11MAR11	HMR	MM



- 1 PHOSPHOR BRONZE.
- 2 0.76µm [.000030] MIN GOLD IN CONTACT AREA, GOLD FLASH ON REMAINDER OF CONTACT, BOTH OVER 1.27µm [.000050] MIN NICKEL.
- 3 STANDARD REELED (RIGHT TO LEFT FEED).
- 4 REVERSE REELED (LEFT TO RIGHT FEED), FOR MINI-APPLICATOR.
- 5 INSULATION RANGE: 1.27-1.63 [.050-.064] DIA.

4	583204-2
3	42702-3
REELING	PART NUMBER

THIS DRAWING IS A CONTROLLED DOCUMENT.		DWN	D.HARDY	28 AUG 97	Tyco Electronics Corporation Harrisburg, PA 17105-3608
DIMENSIONS: mm [INCHES]		CHK	R.STONE	04 SEP 97	
TOLERANCES UNLESS OTHERWISE SPECIFIED:		APVD	N.SCHROLL	05 SEP 97	
0 PLC ± - 1 PLC ± - 2 PLC ± 0.13 [.005] 3 PLC ± - 4 PLC ± - ANGLES ± -		PRODUCT SPEC	NAME		
MATERIAL 1		FINISH	2		CONTACT, 26-22 AWG, AMP-LEAF™
CUSTOMER DRAWING		WEIGHT	-	SCALE	10:1
		SIZE	A2	CAGE CODE	00779
		DRAWING NO	C=42702		RESTRICTED TO
		SHEET	1	OF 1	REV
		REV	AE		