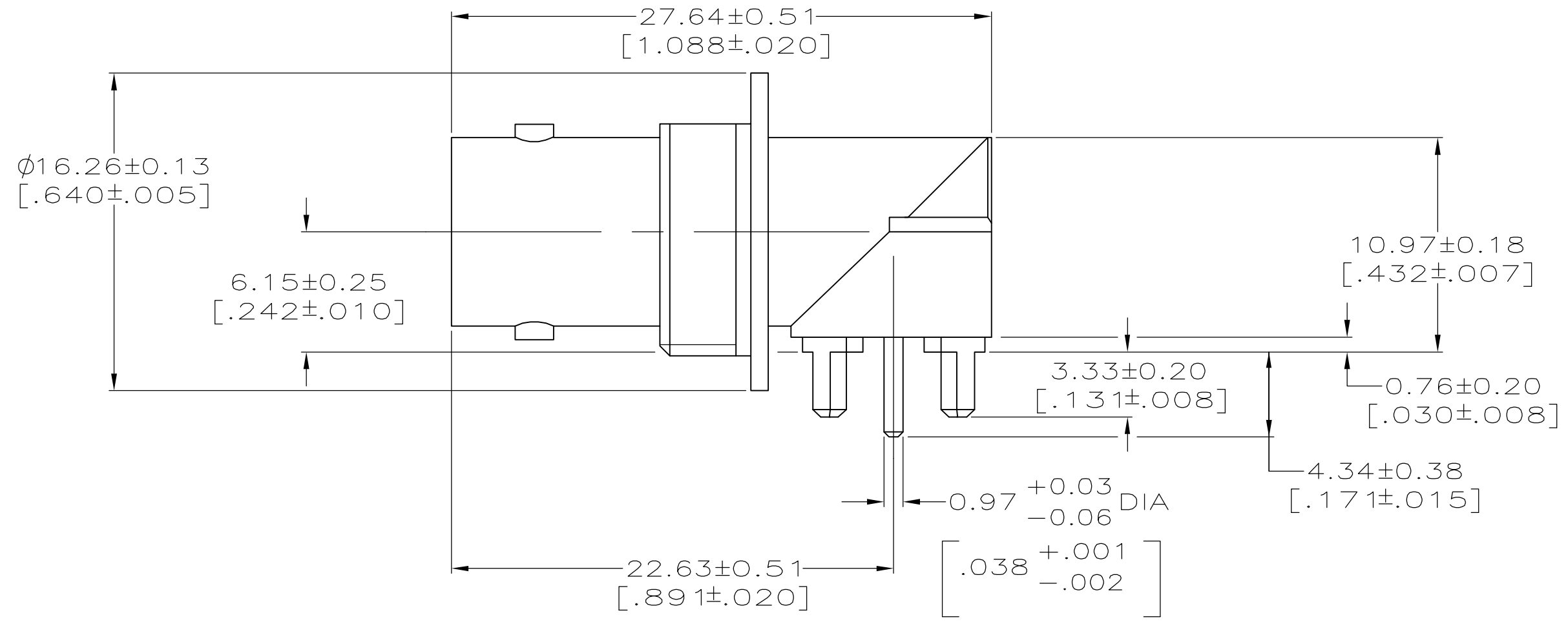
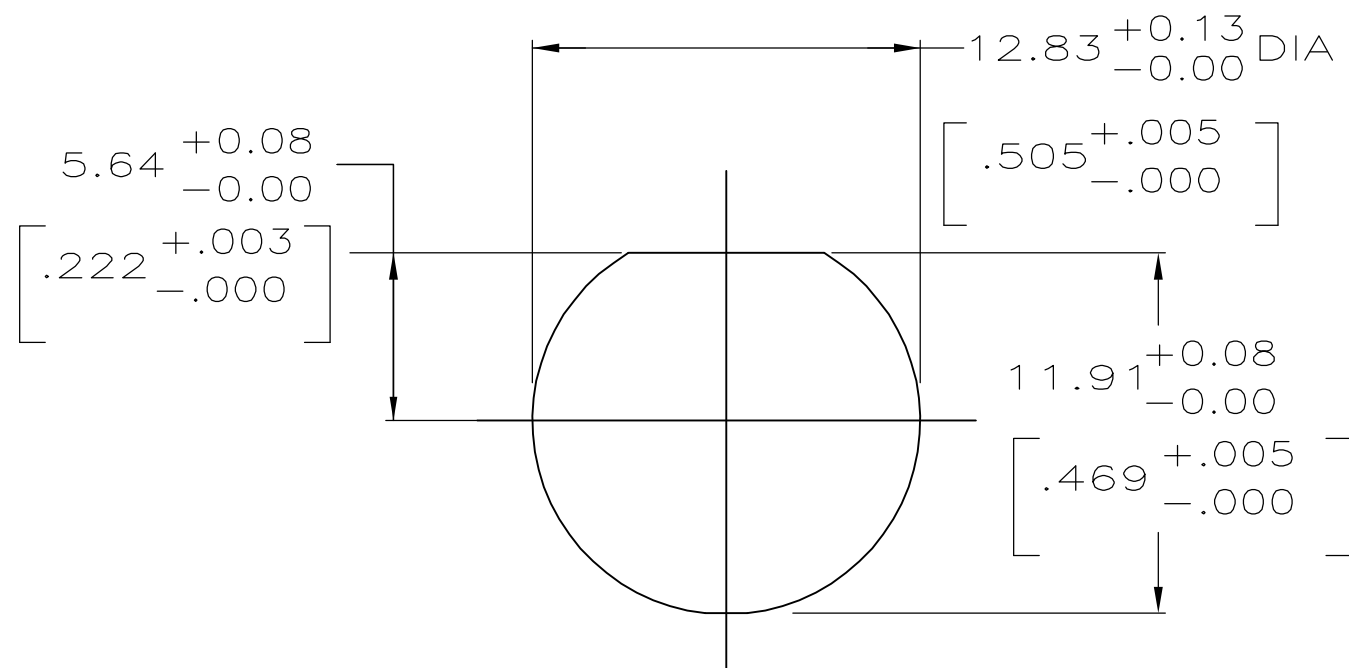
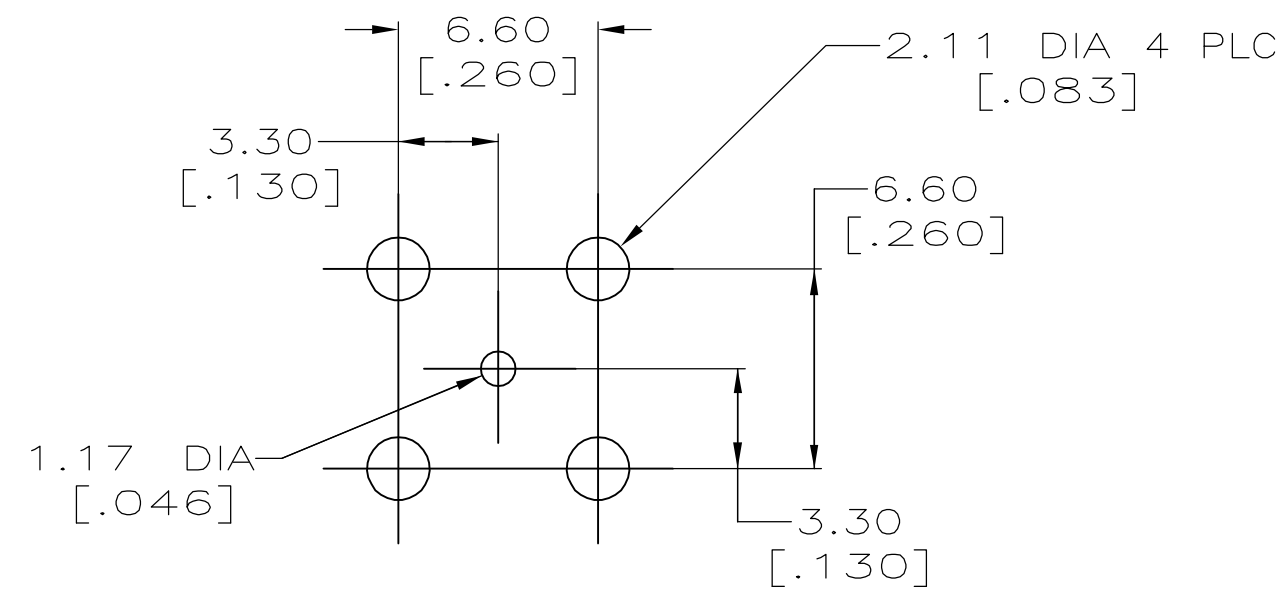
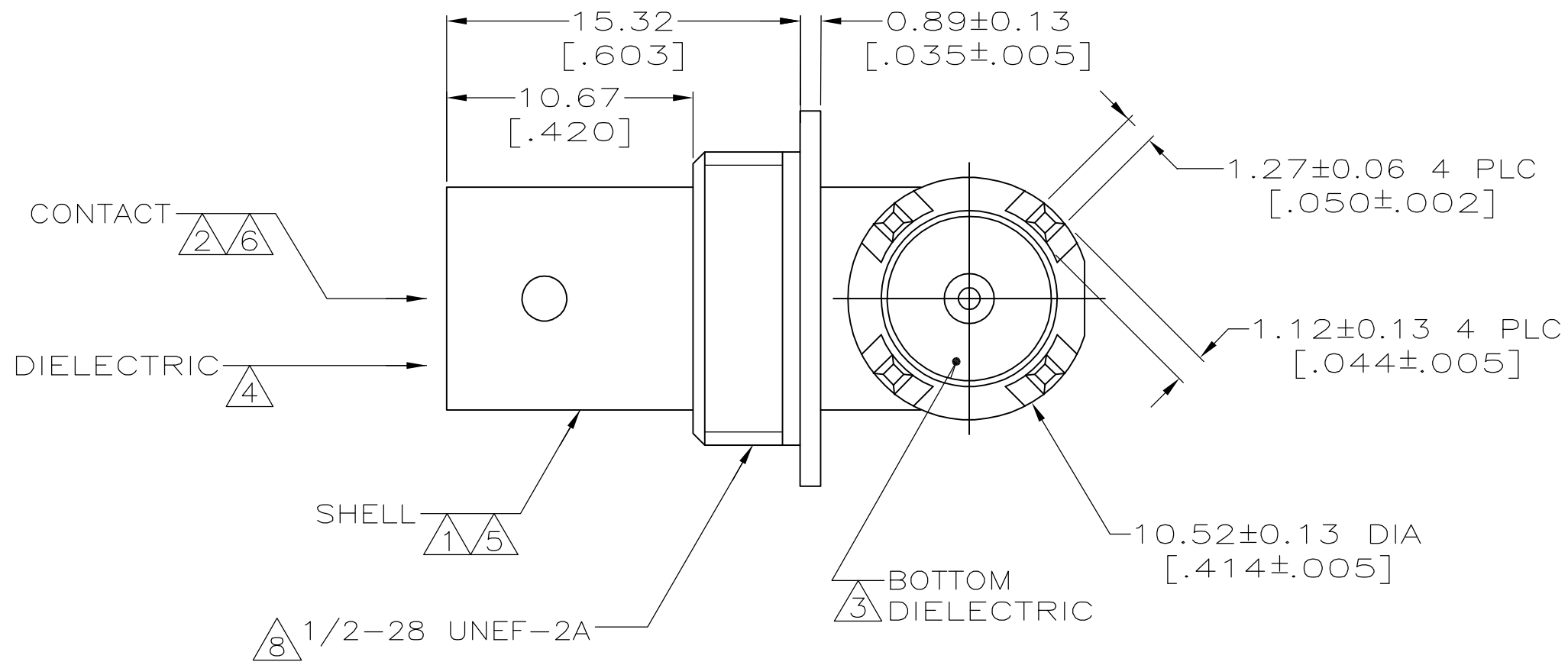


THIS DRAWING IS UNPUBLISHED. RELEASED FOR PUBLICATION
 © COPYRIGHT BY TYCO ELECTRONICS CORPORATION. ALL RIGHTS RESERVED.

| Loc | | DIST | | REVISIONS | | | |
|-----|-----|-------------|---------------------------|-----------|------|----|--|
| P | LTR | DESCRIPTION | DATE | DWN | APVD | | |
| AJ | 00 | C | REVISED PER ECO 06-024121 | 1/29/2007 | DW | JL | |



- ① ZINC PER QQ-Z-363
- ② BERYLLIUM COPPER PER ASTM-B-197
- ③ PTFE PER MIL-P-19468
- ④ POLYMETHYLPENTENE, GENERAL PURPOSE
- ⑤ TIN-LEAD PLATE PER ASTM B 545, 3.81 μ m [$.000150$] MIN THICK.
- ⑥ GOLD PLATE PER MIL-G-45204, 0.76 μ m [$.000030$] MINIMUM THICKNESS
- ⑦ INTERFACE PER MIL-C-39012
- ⑧ MODIFIED MAJOR DIAMETER TO 12.29 [$.484$]



RECOMMENDED PANEL CUTOUT

PCB CONFIGURATION

415373-1
 PART NUMBER

| | | | | | | | | | | | | | | | | | | | | | | | | | |
|---|---|---------------------------------------|---|--------------------|-------|---|---|-------|---|-------------|-------|---|---|-------|---|---|--------|---|---|--------|---|---|--------------|------------|--------------------|
| THIS DRAWING IS A CONTROLLED DOCUMENT. | | DWN MICHAEL E. COWHER 26APR96 | Tyco Electronics Corporation Harrisburg, PA 17105-3608 | | | | | | | | | | | | | | | | | | | | | | |
| DIMENSIONS: mm [INCHES] | | CHK MICHAEL J. TOMCHAK 26APR96 | NAME JACK, PCB, RIGHT ANGLE, 75 OHM, BNC | | | | | | | | | | | | | | | | | | | | | | |
| TOLERANCES UNLESS OTHERWISE SPECIFIED: | | APVD MICHAEL J. TOMCHAK 26APR96 | APPLICATION SPEC | | | | | | | | | | | | | | | | | | | | | | |
| <table border="1"> <tr><td>0 PLC</td><td>±</td><td>-</td></tr> <tr><td>1 PLC</td><td>±</td><td>-</td></tr> <tr><td>2 PLC</td><td>±</td><td>0.08 [.003]</td></tr> <tr><td>3 PLC</td><td>±</td><td>-</td></tr> <tr><td>4 PLC</td><td>±</td><td>-</td></tr> <tr><td>ANGLES</td><td>±</td><td>-</td></tr> <tr><td>FINISH</td><td>±</td><td>-</td></tr> </table> | | 0 PLC | ± | - | 1 PLC | ± | - | 2 PLC | ± | 0.08 [.003] | 3 PLC | ± | - | 4 PLC | ± | - | ANGLES | ± | - | FINISH | ± | - | PRODUCT SPEC | SIZE A2 | CAGE CODE 00779 |
| 0 PLC | ± | - | | | | | | | | | | | | | | | | | | | | | | | |
| 1 PLC | ± | - | | | | | | | | | | | | | | | | | | | | | | | |
| 2 PLC | ± | 0.08 [.003] | | | | | | | | | | | | | | | | | | | | | | | |
| 3 PLC | ± | - | | | | | | | | | | | | | | | | | | | | | | | |
| 4 PLC | ± | - | | | | | | | | | | | | | | | | | | | | | | | |
| ANGLES | ± | - | | | | | | | | | | | | | | | | | | | | | | | |
| FINISH | ± | - | | | | | | | | | | | | | | | | | | | | | | | |
| MATERIAL SEE NOTES | | WEIGHT - | DRAWING NO C=415373 | RESTRICTED TO - | | | | | | | | | | | | | | | | | | | | | |
| SEE NOTES | | CUSTOMER DRAWING | | SCALE 4:1 | | | | | | | | | | | | | | | | | | | | | |
| | | SHEET 1 of 1 | | REV C | | | | | | | | | | | | | | | | | | | | | |