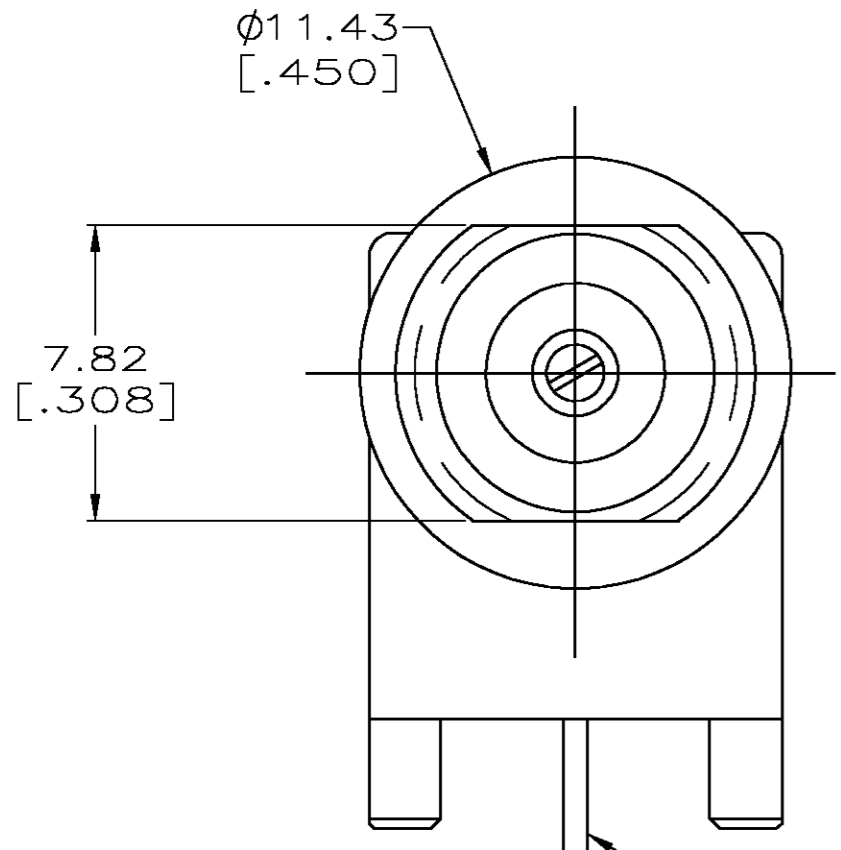
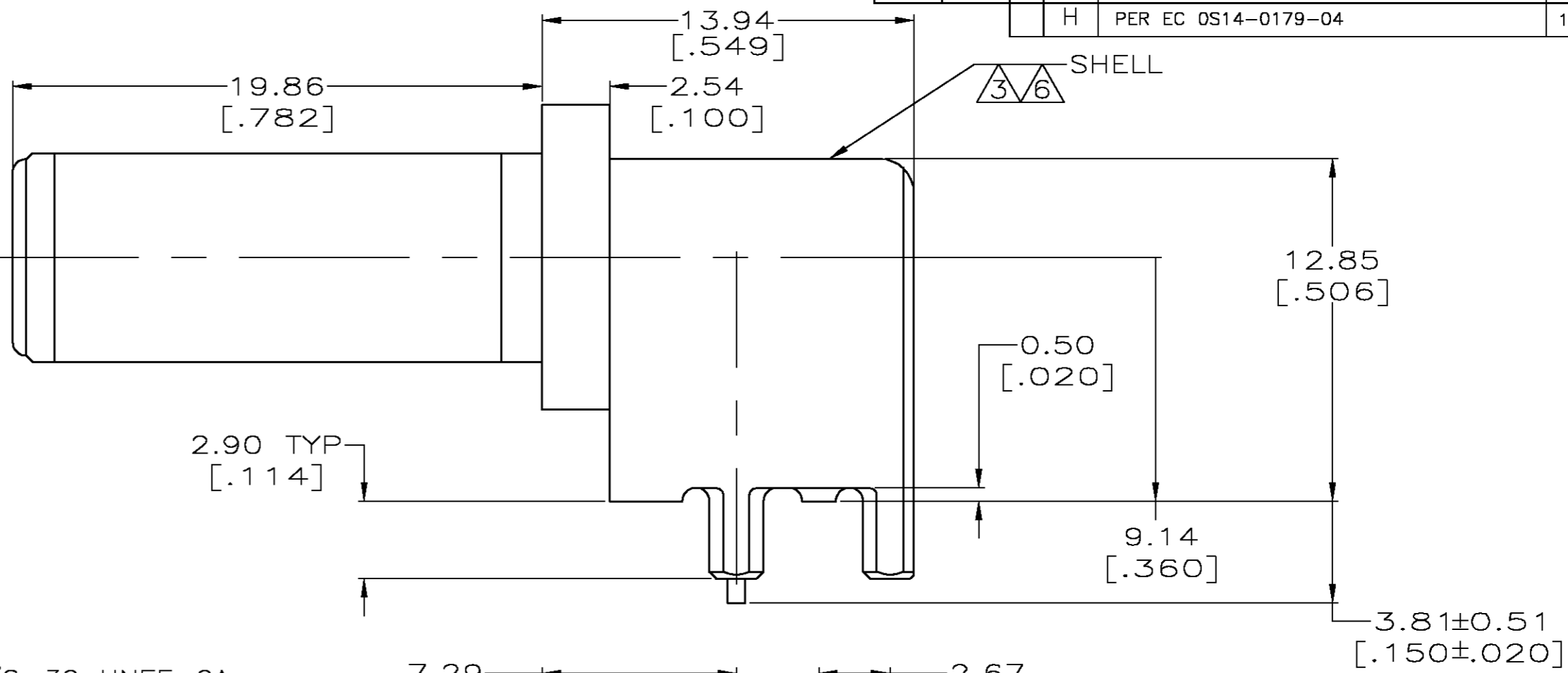


THIS DRAWING IS UNPUBLISHED. RELEASED FOR PUBLICATION
 © COPYRIGHT BY TYCO ELECTRONICS CORPORATION. ALL RIGHTS RESERVED.

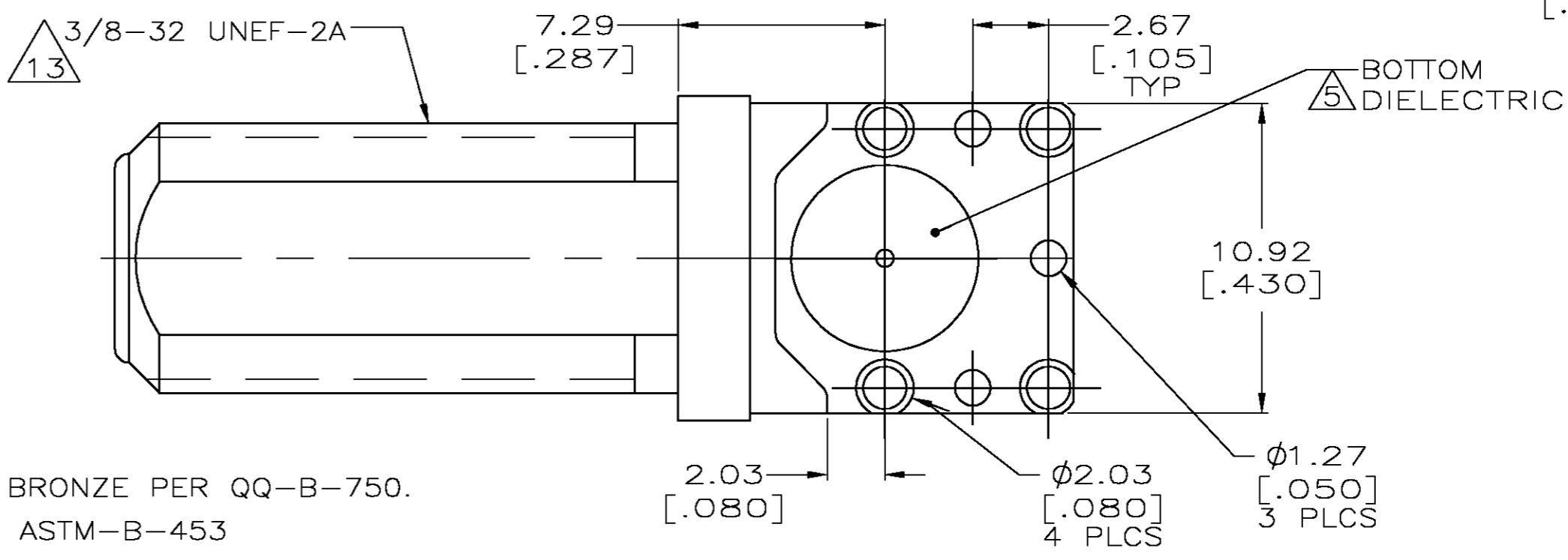
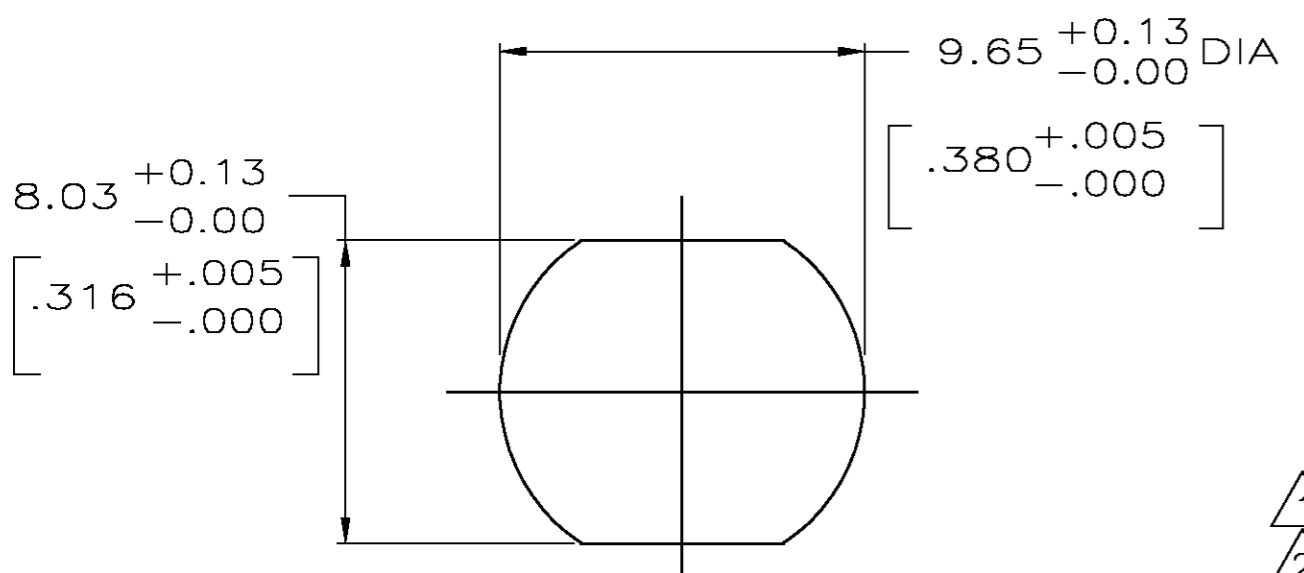
LOC		DIST		REVISIONS					
AJ		16		P	LTR	DESCRIPTION	DATE	DWN	APVD
				H		PER EC OS14-0179-04	17NOV04	D5	KW



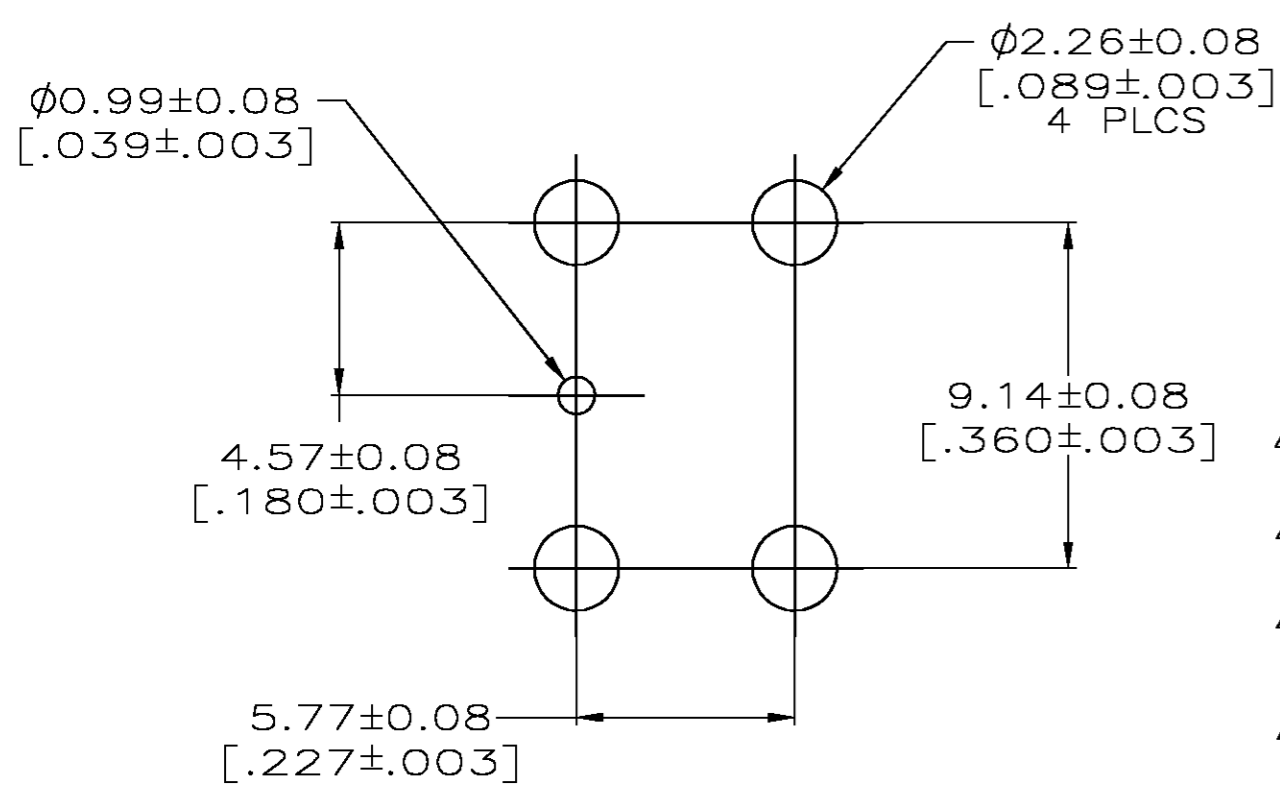
FRONT DIELECTRIC
 CONTACT



$\phi 0.64 \pm 0.05$ [.025±.002] CONTACT PIN



- 1 PHOSPHOR BRONZE PER QQ-B-750.
- 2 BRASS PER ASTM-B-453
- 3 ZINC PER QQ-Z-363.
- 4 PTFE PER MIL-P-19468.
- 5 ACETAL, GENERAL PURPOSE
- 6 TIN PLATE PER ASTM-B-545
3.81 μm [.000150] MINIMUM THICK OVER
NICKEL PLATE PER QQ-N-290
1.27 μm [.000050] MINIMUM THICK.
- 7 CONNECTOR WILL ACCEPT CENTER CONDUCTOR
DIAMETER RANGE OF 0.51 [.020] - 1.19 [.047]
- 8 CONNECTOR WILL ACCEPT CENTER CONDUCTOR
DIAMETER RANGE OF 0.56 [.022] - 1.19 [.047]
- 9 RETURN LOSS: -20dB MIN AT 1 GHz.
- 10 BERYLLIUM COPPER PER ASTM-B-196.
- 11 POLYMETHYLPENTENE, GENERAL PURPOSE, BLACK.
- 12 TIN PLATE PER ASTM-B-545
3.81 μm [.000150] MINIMUM THICK.
- 13 MAJOR DIA MODIFIED TO .363 REF.



PCB CONFIGURATION

9	8	10	11	415276-2
SUPSD BY 415276-2				415276-1
CONTACT MATERIAL		FRONT DIELECTRIC MATERIAL		PART NUMBER

THIS DRAWING IS A CONTROLLED DOCUMENT.		DWN	3-4-96	Tyco Electronics Corporation	
DIMENSIONS: INCHES		CHK	3-4-96	Middletown, PA 17057	
TOLERANCES UNLESS OTHERWISE SPECIFIED:		APVD	3-4-96	NAME	
0 PLC	± -	PRODUCT SPEC		JACK, PCB, RIGHT ANGLE, F SERIES	
1 PLC	± -	APPLICATION SPEC		SIZE	CAGE CODE
2 PLC	± -	-		A2	00779
3 PLC	± -	-		DRAWING NO	
4 PLC	± 0.20 [.008]	-		C=415276	
ANGLES	± -	-		RESTRICTED TO	
FINISH	± -	WEIGHT		-	
SEE NOTES 1-5		SEE NOTE 6		SCALE 8:1 SHEET 1 OF 1 REV H	
CUSTOMER DRAWING					