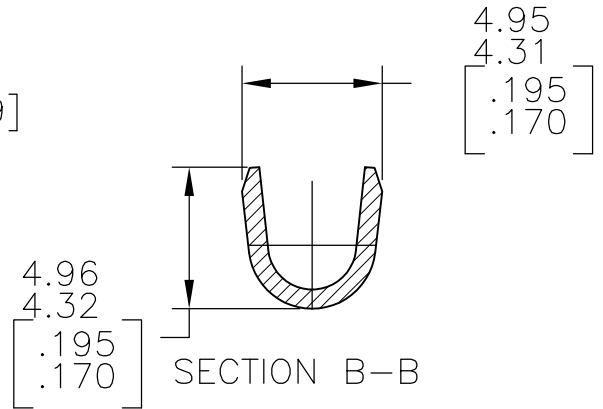
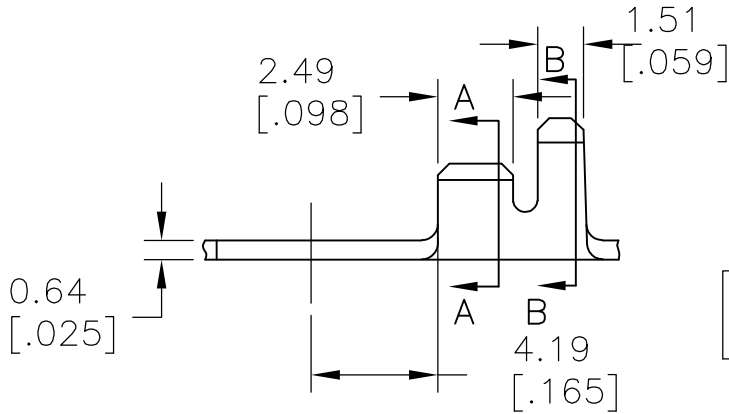
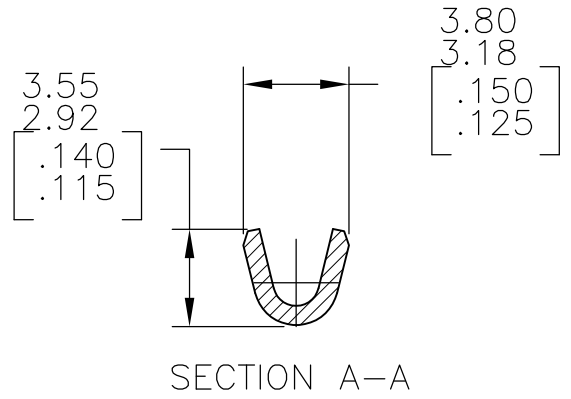
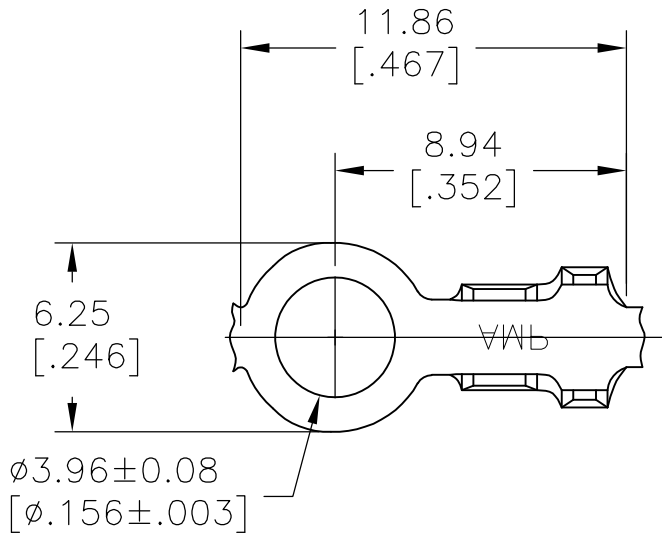


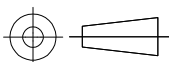
| | | | | | |
|-----------|-----------|---------------------------|---------|-----|------|
| LOC AF | DIST — | REVISIONS | | | |
| P | LTR | DESCRIPTION | DATE | DWN | APVD |
| | A | REVISED PER ECR-10-019776 | 22OCT10 | HMR | PD |



- 1 CONTINUOUS STRIP, ON REELS
- 2 WIRE SIZE: #20-16 AWG
- 3 INSULATION RANGE # .100-.135

41472
PART NUMBER

| | | | |
|--|-----------------------------------|---|--------------------|
| DIMENSIONS: mm [INCHES] | DWN RAGHAVENDRA 22OCT10 | MATERIAL BRASS | FINISH TIN |
| | CHK DESANTIS PETER 22OCT10 | Tyco Electronics Corporation Harrisburg, PA 17105-3608 | |
| TOLERANCES UNLESS OTHERWISE SPECIFIED: | APVD DESANTIS PETER 22OCT10 | | |
| 0 PLC ± - | PRODUCT SPEC — | SIZE A4 | CAGE CODE 00779 |
| 1 PLC ± - | APPLICATION SPEC — | DRAWING NO C-41472 | RESTRICTED TO — |
| 2 PLC ± - | WEIGHT — | CUSTOMER DRAWING | |
| 3 PLC ± .015 | | SCALE 4:1 | SHEET 1 OF 1 |
| 4 PLC ± - | | | REV A |
| ANGLES ± 1' | | | |



THIS DRAWING IS UNPUBLISHED. ALL INTERNATIONAL RIGHTS RESERVED. BY TYCO ELECTRONICS CORPORATION. © COPYRIGHT