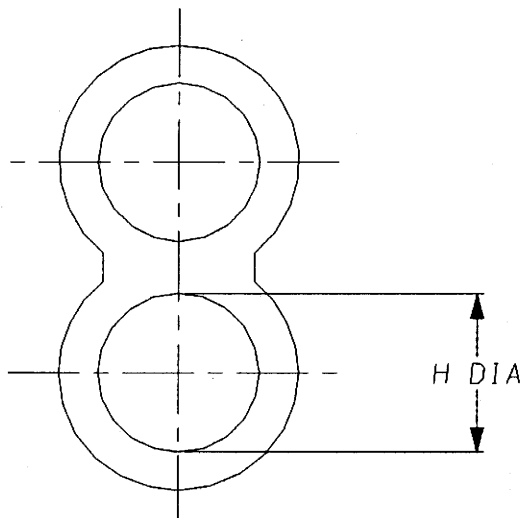
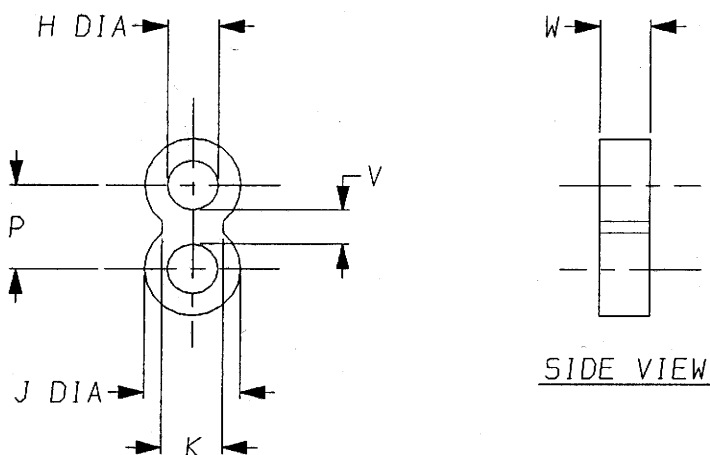


a) Part as supplied

400W242



b) Part after unrestricted recovery



DIMENSIONS (in millimetres)

Part No.	H		J	K	P	V	W
	MIN	MAX	MAX	±1.2	±1.7	±0.45	±1
	a	b	b	b	b	b	b
400W242-25	28	10.2	19.3	12	17	7.0	10

**Copyright (!)**

The copyright in this drawing is the property of Tyco Electronics UK Ltd. The drawing is issued on the condition that it is not copied, reproduced or disclosed to a third party, either in whole or in part without the prior written consent of Tyco Electronics UK Ltd.

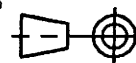
Drawn A.LILLEY. Checked *[Signature]* Issue 1 Date March 2001

Conforms to ISO Recommendations  
 3rd Angle Projection  
 Not to Scale

Approval  
 Design

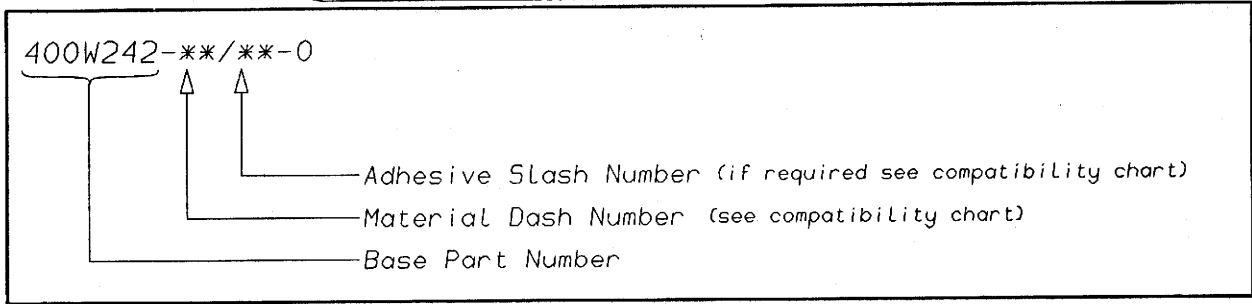
*[Signature]*

MKTG. *[Signature]* Q.A. *[Signature]*



Iss.	Date	E.C.R. No.	Details of Change

### (Ordering Information)



### (COMPATIBILITY CHART)

MATERIAL DASH NUMBER	MATERIAL DESCRIPTION	COATING SLASH NUMBER
-3	POLYOLEFIN, SEMI-RIGID	/42 ,/86
-4	POLYOLEFIN, FLEXIBLE	/42 ,/86
-25	ELASTOMER, FLUID RESISTANT	/86,/225
-100	ZERO HALOGEN	/86

AS SUPPLIED DIMENSIONS ARE FOR UNCOATED PARTS,  
WHEN COATING IS ADDED, ENTRY DIAMETERS WILL REDUCE BY 1.5mm MAX.

Raychem Wire & Harness  
 a Division of Tyco Electronics  
 Faraday Road,  
 Swindon, Wiltshire, England. SN3 5JA  
 Telephone: (01793) 528171 Fax: 572516

Raychem Wire & Harness  
 a Division of Tyco Electronics  
 300, Constitution Drive, Menlo Park,  
 California 94025-1164, USA  
 Telephone (650) 361-3333 Fax: (650) 361-5579