

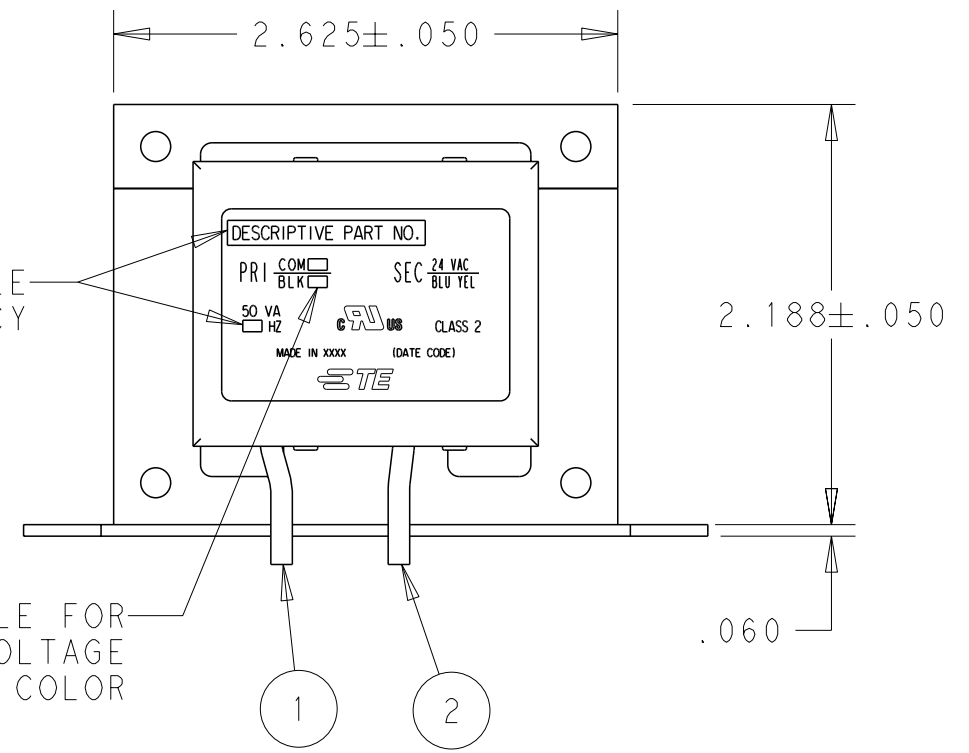
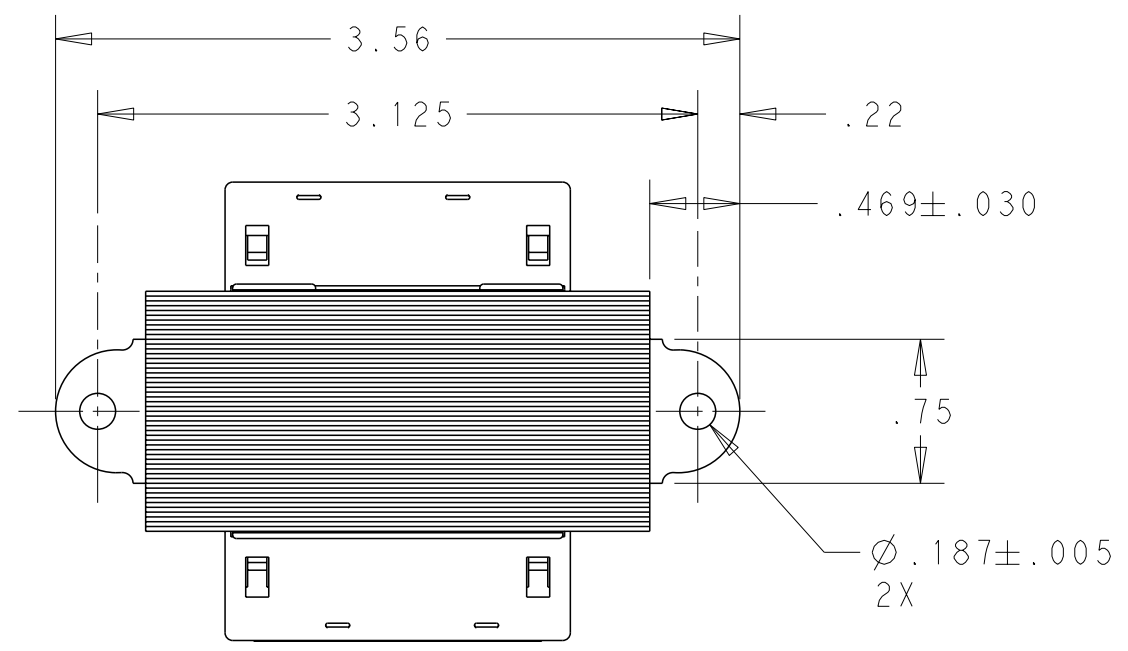
THIS DRAWING IS UNPUBLISHED. RELEASED FOR PUBLICATION 20
 © COPYRIGHT 20 BY - ALL RIGHTS RESERVED.

REVISIONS					
P	LTR	DESCRIPTION	DATE	DWN	APVD
C		ECR-18-002126	28FEB2018	VS	DB

CERTIFICATION: UL & CUL FILE NO. E87824

PRIMARY			SECONDARY		
LEAD NO.	1	2	LEAD NO.	6	7
VOLTAGE	COM	SEE P/N TABLE	VOLTAGE	24	VAC
COLOR	BLK		COLOR	BLU	YEL

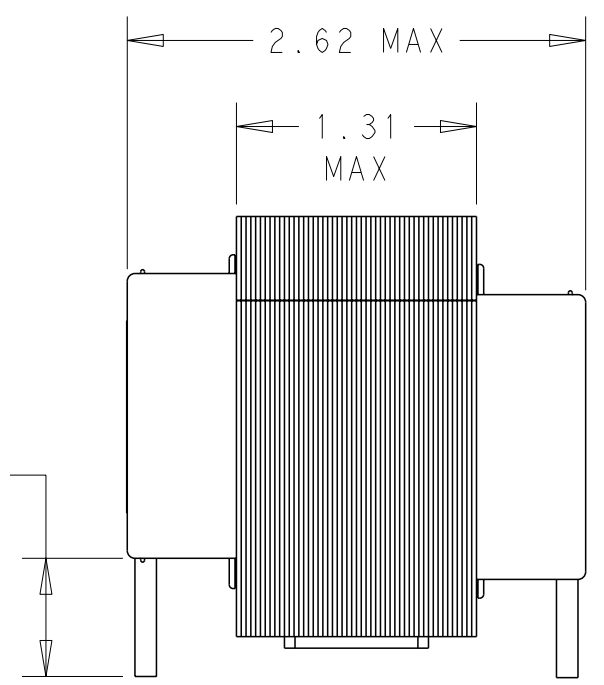
1. FINAL ASSEMBLY SHALL MEET TE SPEC TR-ASM-001.
2. ALL LEADS ARE 18AWG AND ARE 12.0+1.0/-0 LONG WITH A STRIP LENGTH OF .50±1/32.
3. WINDING PROTECTION: INHERENTLY LIMITING.



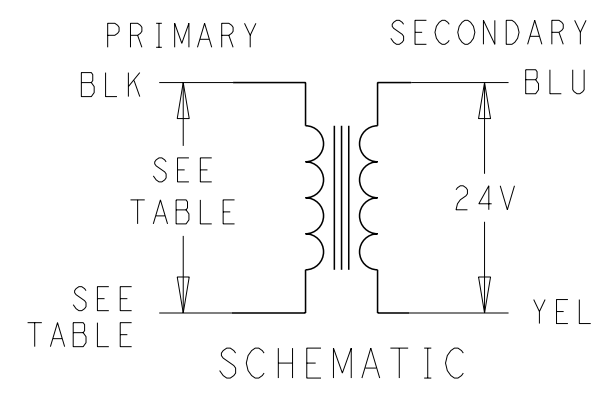
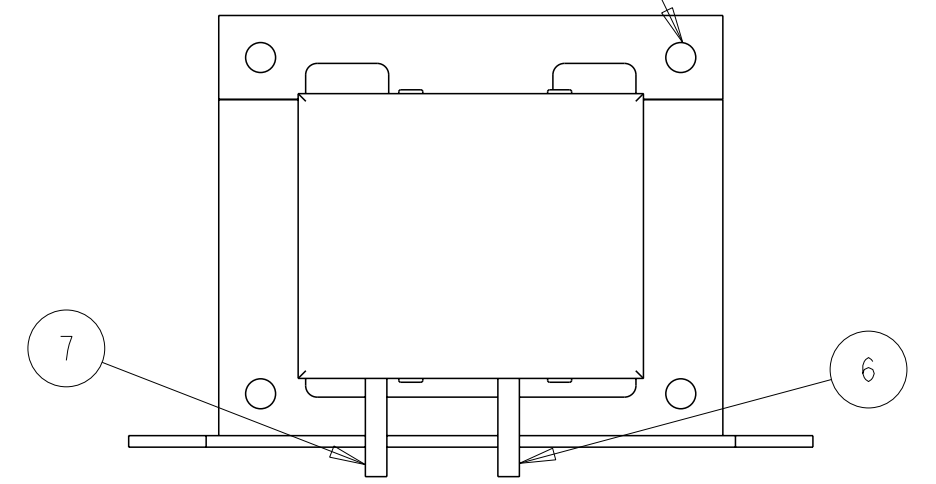
SEE P/N TABLE FOR FREQUENCY AND PART NO.

SEE P/N TABLE FOR PRIMARY VOLTAGE AND #2 WIRE COLOR

SEE NOTE 2



LAMINATION CORNER HOLES OPTIONAL, 4X



PRIMARY VOLTAGE	LEAD #2 COLOR	FREQUENCY	PACKAGED	DESCRIPTIVE PART NO.	TE PART NO.	PART REV
120	WHT	50/60 HZ	BULK	4000-01AW18K999	2-1611461-1	C
			INDIVIDUAL	4000Y01AW18K999	3-1611471-6	C
277	BRN	60 HZ	BULK	4000-03AW18K999	3-1611461-3	C
480	BLK/RED	50/60 HZ	BULK	4000-04AW18K999	5-1611461-1	C
			INDIVIDUAL	4000Y04AW18K999	2-1611462-4	C
575	GRAY	50/60 HZ	BULK	4000-78AW18K999	9-1611461-2	C

THIS DRAWING IS A CONTROLLED DOCUMENT.

DIMENSIONS: INCHES	TOLERANCES UNLESS OTHERWISE SPECIFIED:	DWN 09FEB2018 VIC SLACK	TE Connectivity TRANSFORMER OUTLINE								
	0 PLC ±- 1 PLC ±.1 2 PLC ±.03 3 PLC ±.015 4 PLC ±- ANGLES ±-	CHK 09FEB2018 D. BLOESCH									
		APVD 09FEB2018 D. BLOESCH									
		PRODUCT SPEC									
MATERIAL	FINISH	APPLICATION SPEC	<table border="1"> <tr> <td>SIZE</td> <td>CAGE CODE</td> <td>DRAWING NO</td> <td>RESTRICTED TO</td> </tr> <tr> <td>A3</td> <td>-</td> <td>4000-___AW18K999</td> <td></td> </tr> </table>	SIZE	CAGE CODE	DRAWING NO	RESTRICTED TO	A3	-	4000-___AW18K999	
SIZE	CAGE CODE	DRAWING NO	RESTRICTED TO								
A3	-	4000-___AW18K999									
CUSTOMER DRAWING		WEIGHT	<table border="1"> <tr> <td>SCALE</td> <td>SHEET</td> <td>OF</td> <td>REV</td> </tr> <tr> <td>1:1</td> <td>1</td> <td>1</td> <td>C</td> </tr> </table>	SCALE	SHEET	OF	REV	1:1	1	1	C
SCALE	SHEET	OF	REV								
1:1	1	1	C								