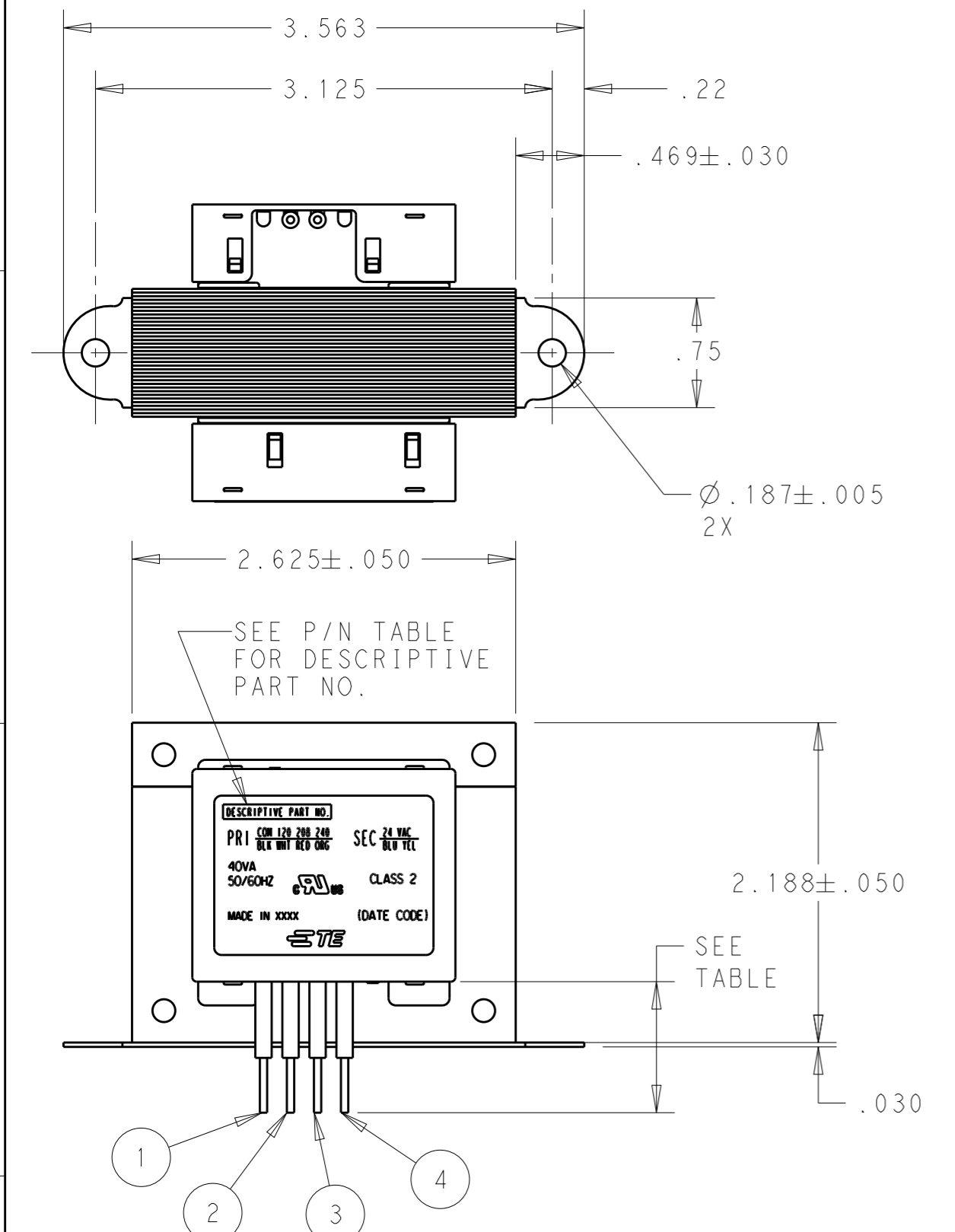


THIS DRAWING IS UNPUBLISHED. RELEASED FOR PUBLICATION 20
 © COPYRIGHT 20 BY - ALL RIGHTS RESERVED.

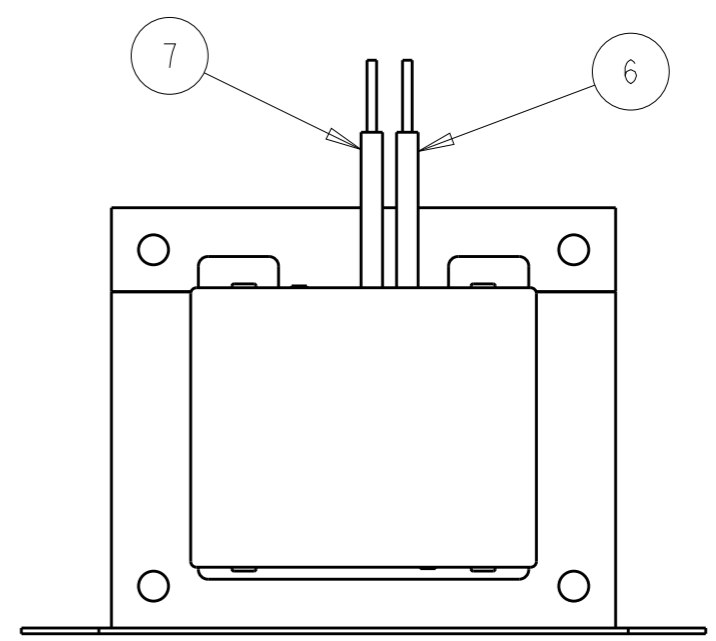
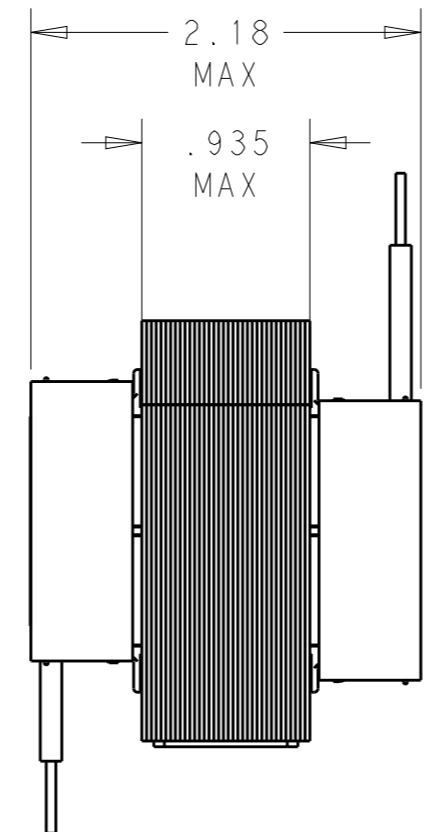
REVISIONS				
P	LTR	DESCRIPTION	DATE	APVD
C		ECR-18-015803	28MAR2019	VS DB



CERTIFICATION: UL & CUL FILE NO. E87824

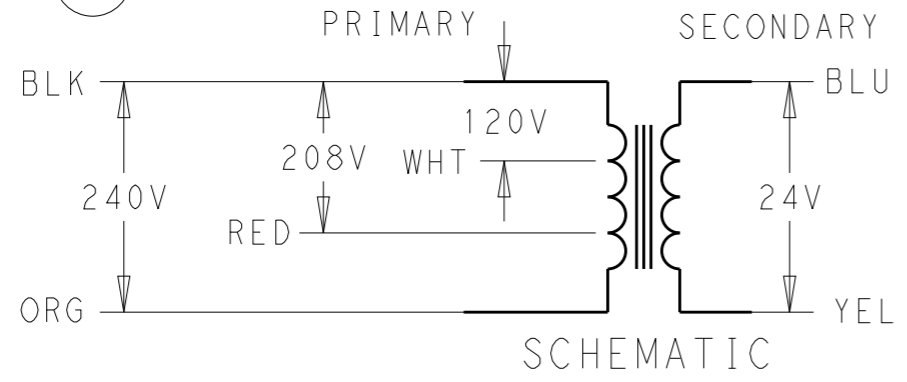
PRIMARY				SECONDARY			
LEAD NO.	1	2	3	4	LEAD NO.	6	7
VOLTAGE	COM	120	208	240	VOLTAGE	24	VAC
COLOR	BLK	WHT	RED	ORG	COLOR	BLU	YEL
LENGTH	12.0	12.0	12.0	12.0	LENGTH	12.0	12.0
STRIP LENGTH	.50	.50	.50	.50	STRIP LENGTH	.50	.50

1. ALL LEADS ARE 18AWG UNLESS OTHERWISE SPECIFIED AND HAVE A TOLERANCE OF +1.0/-0
2. STRIP TOLERANCE IS ±1/32.
3. WINDING PROTECTION: INHERENTLY LIMITING



SEE P/N TABLE FOR DESCRIPTIVE PART NO.

DESCRIPTIVE PART NO.
 PRI COM 120 208 240 SEC 24 VAC
 BLK WHT RED ORG BLU YEL
 40VA 50/60HZ CLASS 2
 MADE IN XXXX (DATE CODE)
 STE



DESCRIPTIVE PART NO.	TE PART NO.	PART REV
4000-05E07K999	8-1611454-0	C
4000Y05E07K999	1611457-8	C

THIS DRAWING IS A CONTROLLED DOCUMENT.

DWN VIC SLACK 05OCT2018
 CHK D. BLOESCH 05OCT2018
 APVD D. BLOESCH 05OCT2018

DIMENSIONS: INCHES

TOLERANCES UNLESS OTHERWISE SPECIFIED:

0 PLC	±-
1 PLC	±.1
2 PLC	±.03
3 PLC	±.015
4 PLC	±-
ANGLES	±-

MATERIAL: - FINISH: - WEIGHT: -

PRODUCT SPEC: - APPLICATION SPEC: -

CUSTOMER DRAWING

NAME: TRANSFORMER OUTLINE

SIZE: A3 CAGE CODE: - DRAWING NO: 4000_05E07K999 RESTRICTED TO: -

SCALE: 1:1 SHEET: 1 OF 1 REV: C

TE Connectivity