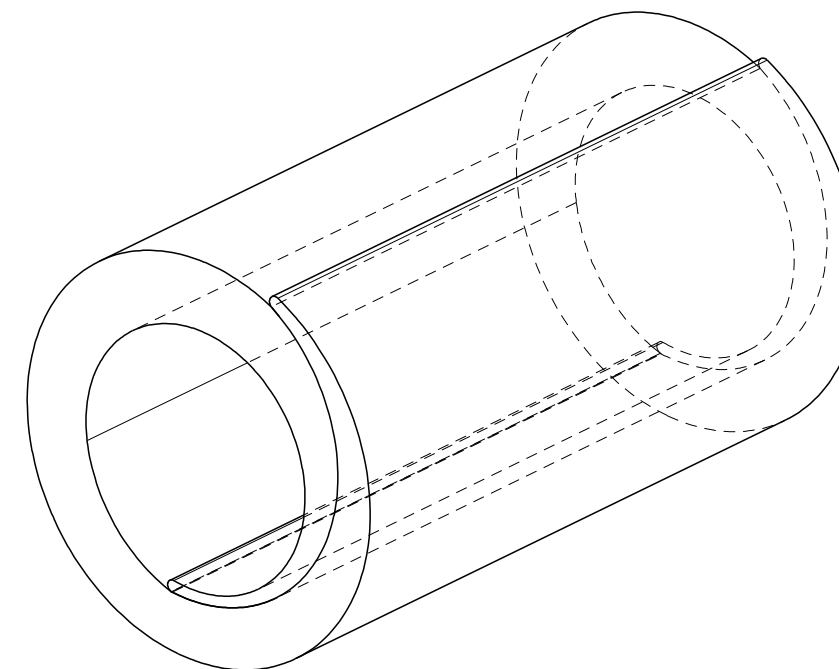
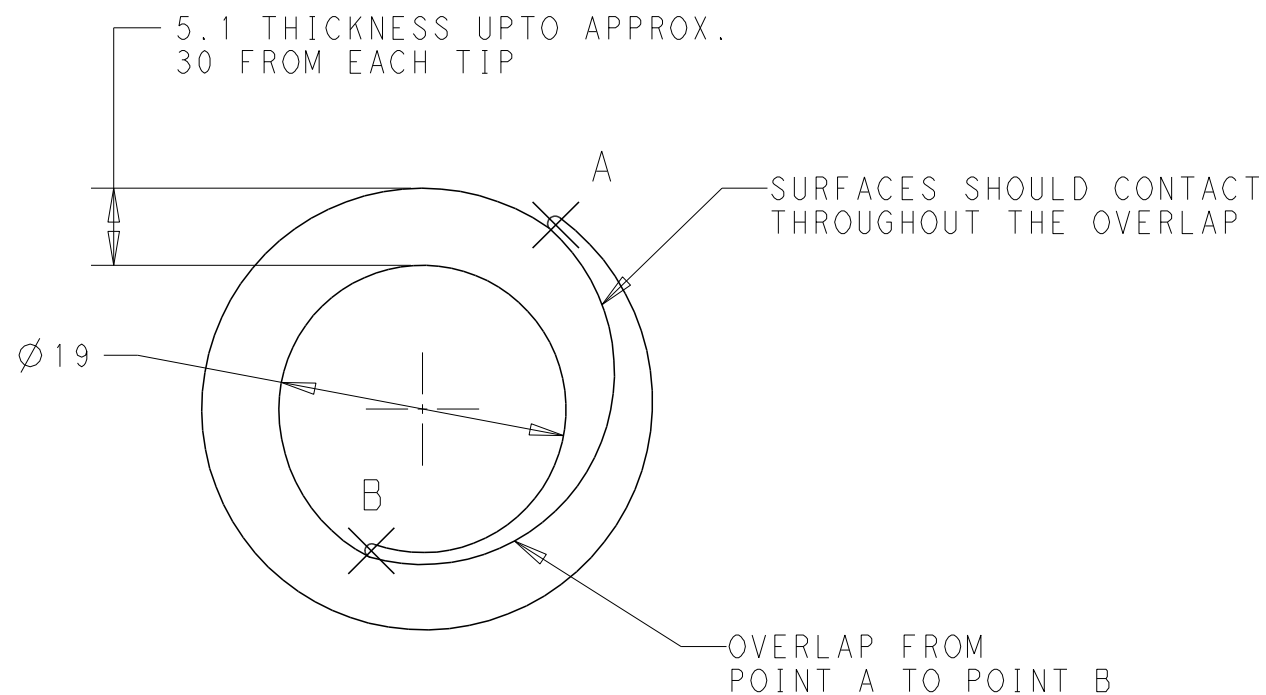


REVISIONS

P	LTR	DESCRIPTION	DATE	DWN	APVD
	A	NEW DRAWING	05FEB2016	KR	I.B



NOTES:

1. 19 ± 1.5mm I/D MAXIMUM IN NATURAL STATE.
2. MATERIAL THICKNESS 5.1 ± 0.51mm.
3. OVERLAP 44.5mm MINIMUM.
4. LENGTH 2 X 7.5M ± 0.5M.

NOTES	UOM	QTY.	PART DESCRIPTION	ITEM No.
Instruction	PC	1	PII-55790	1
Cable Ties	BAG	1	CPGI-CTY-11-50-BLK-Q	2
MVCC RED	M	2X7.5M	MVCC-19/.75(S15)	3

THIS DRAWING IS A CONTROLLED DOCUMENT.		DWN RAGHU 05FEB2016	STE TE Connectivity	
DIMENSIONS: mm		CHK IAN BOND 05FEB2016		
TOLERANCES UNLESS OTHERWISE SPECIFIED:		APVD DONALD BARRETT 05FEB2016	NAME MVCC-19/.75(S15)	
0 PLC ± 1 PLC ±0.5 2 PLC ±0.13 3 PLC ±0.013 4 PLC ±0.0001 ANGLES ±		PRODUCT SPEC -	-	
MATERIAL -		FINISH -	APPLICATION SPEC -	RESTRICTED TO -
		WEIGHT -	SIZE A3	CAGE CODE -
		CUSTOMER DRAWING	DRAWING NO C-4-1899834-1	SCALE 2:1
			SHEET 1 OF 1	REV A