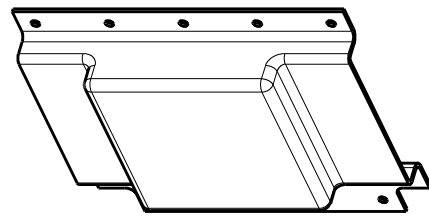
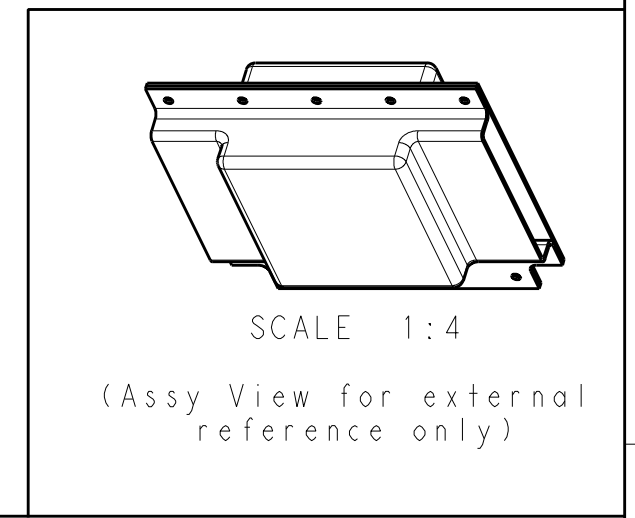
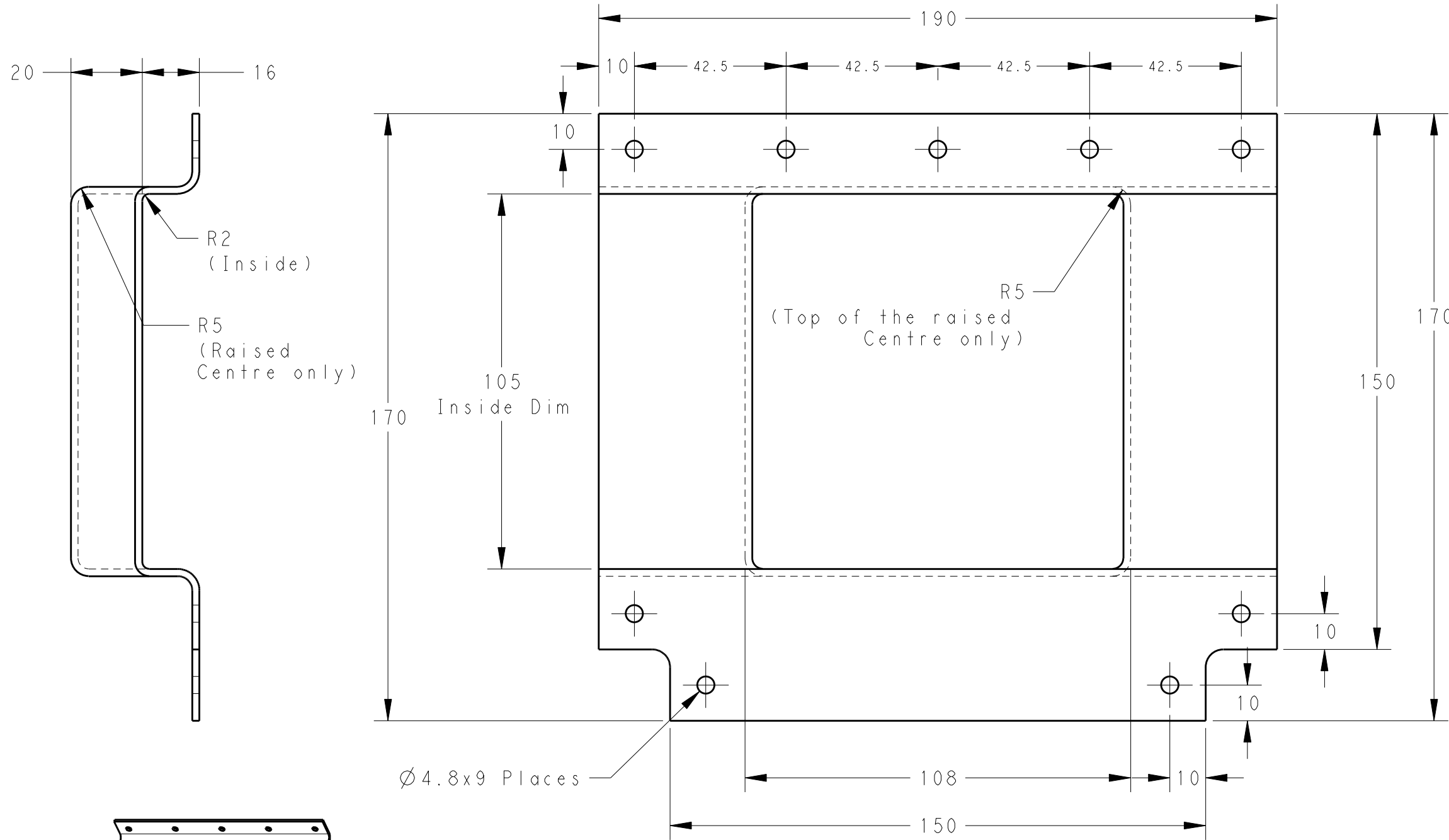



P	LTR	DESCRIPTION	DATE	DWN	APVD
	A	Hole Size Changes from 6mm to 4.8mm and Note No.3 Changes.	05SEP2012	V.P	I.B

FRONT PIECE



THIS DRAWING IS A CONTROLLED DOCUMENT.		DWN Vishnu 04JUL2012	 TE Connectivity	
DIMENSIONS: mm		CHK I.Bond 04JUL2012		
TOLERANCES UNLESS OTHERWISE SPECIFIED:		APVD I.Bond 04JUL2012	NAME BMOD-LV-100-T11-00(B12)	
 6 PLC ± 1 PLC ±0.5 2 PLC ±0.13 3 PLC ±0.013 4 PLC ±0.0081 ANGLES ± 		PRODUCT SPEC -	RESTRICTED TO -	
MATERIAL -		APPLICATION SPEC -	SIZE A3	CAGE CODE 00779
FINISH -		WEIGHT -	DRAWING NO C-4-1899738-7	
		CUSTOMER DRAWING	SCALE -	SHEET 1 OF 3
				REV A

THIS DRAWING IS UNPUBLISHED.

RELEASED FOR PUBLICATION

20

© COPYRIGHT 20

BY TYCO ELECTRONICS CORPORATION

ALL RIGHTS RESERVED.

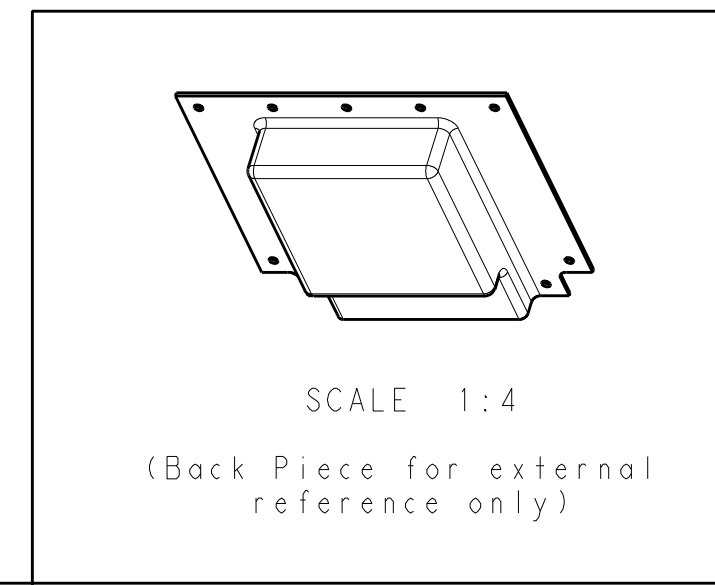
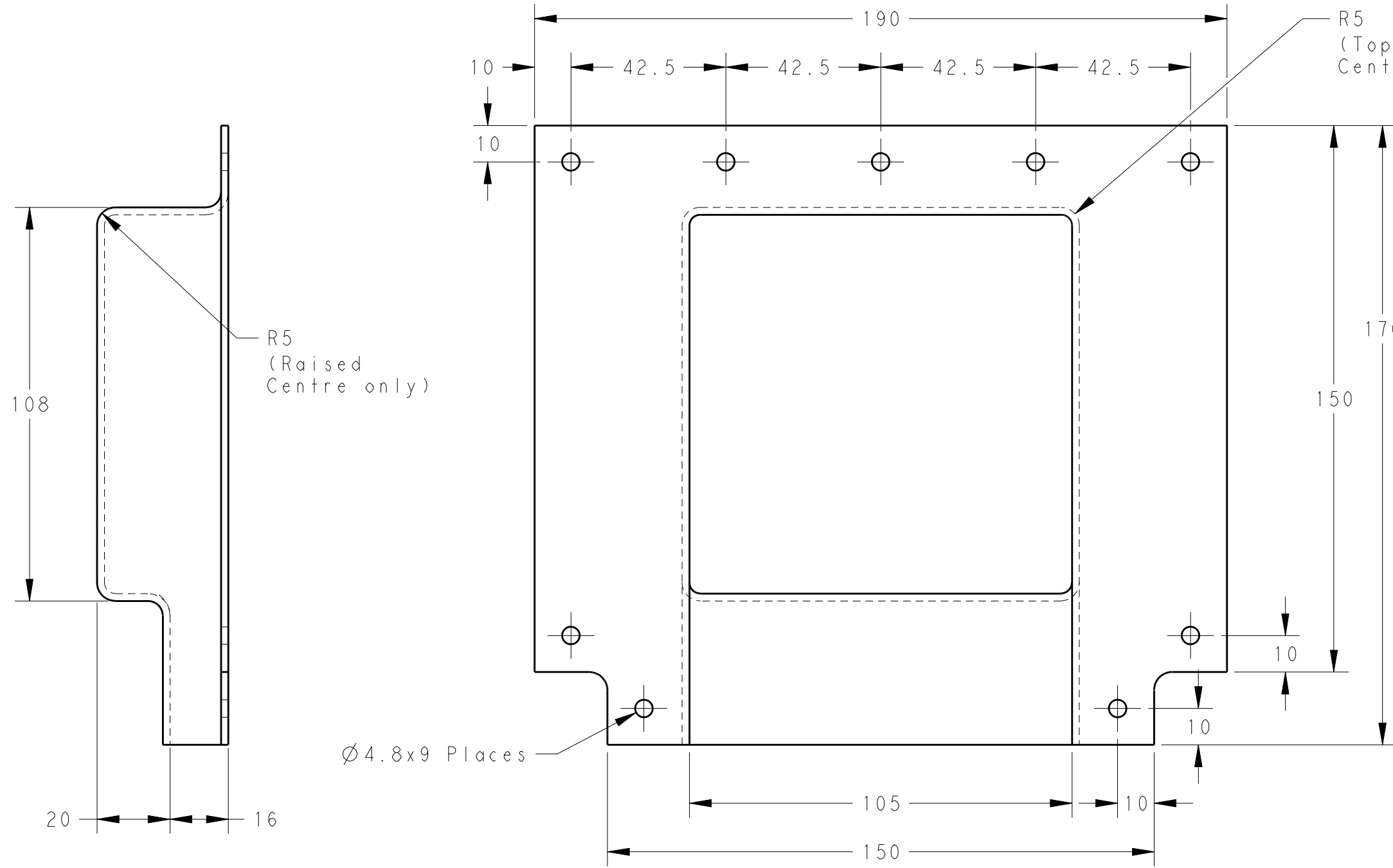
LOC -

DIST -

REVISIONS

P	LTR	DESCRIPTION	DATE	DWN	APVD
-	-	SEE SHEET 1	-	-	-

BACK PIECE



THIS DRAWING IS A CONTROLLED DOCUMENT.		DWN Vishnu 04JUL2012	TE Connectivity		
DIMENSIONS: mm		CHK I. Bond 04JUL2012			
TOLERANCES UNLESS OTHERWISE SPECIFIED:		APVD I. Bond 04JUL2012	NAME BMOD-LV-100-T11-00(B12)		
0 PLC ± 1 PLC ±0.5 2 PLC ±0.13 3 PLC ±0.013 4 PLC ±0.0001 ANGLES ±		PRODUCT SPEC -	RESTRICTED TO -		
MATERIAL -		APPLICATION SPEC -	SIZE A3	CAGE CODE 00779	DRAWING NO C-4-1899738-7
FINISH -		WEIGHT -	SCALE -		
		CUSTOMER DRAWING	SHEET 2 OF 3		
			REV A		

THIS DRAWING IS UNPUBLISHED.

RELEASED FOR PUBLICATION

20

© COPYRIGHT 20

BY TYCO ELECTRONICS CORPORATION

ALL RIGHTS RESERVED.

LOC


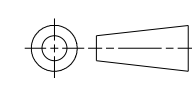
DIST

REVISIONS

P	LTR	DESCRIPTION	DATE	DWN	APVD
-	-	SEE SHEET 1	-	-	-

NOTES:

1. Parts shall be kitted 24pcs per box, 12 pairs of covers
2. Parts shall be supplied in the open position
3. Parts shall be kitted with 9 x LVIC-RIV-TS555
PCN: 319851-000, or with Raysulate equivalent part,
per pair of covers.
4. Parts shall be kitted with Installation Instruction:
ESD-6064-6/12

THIS DRAWING IS A CONTROLLED DOCUMENT.		DWN Vishnu 04JUL2012	 TE Connectivity		
DIMENSIONS: mm		CHK I. Bond 04JUL2012			
		APVD I. Bond 04JUL2012	NAME BMOD-LV-100-T11-00(B12)		
TOLERANCES UNLESS OTHERWISE SPECIFIED: 6 PLC ± 1 PLC ±0.5 2 PLC ±0.13 3 PLC ±0.013 4 PLC ±0.0081 ANGLES ± 		PRODUCT SPEC -	RESTRICTED TO -		
MATERIAL -		APPLICATION SPEC -	SIZE A3	CAGE CODE 00779	DRAWING NO C-4-1899738-7
FINISH -		WEIGHT -	SCALE -		SHEET 3 OF 3
		CUSTOMER DRAWING	REV A		