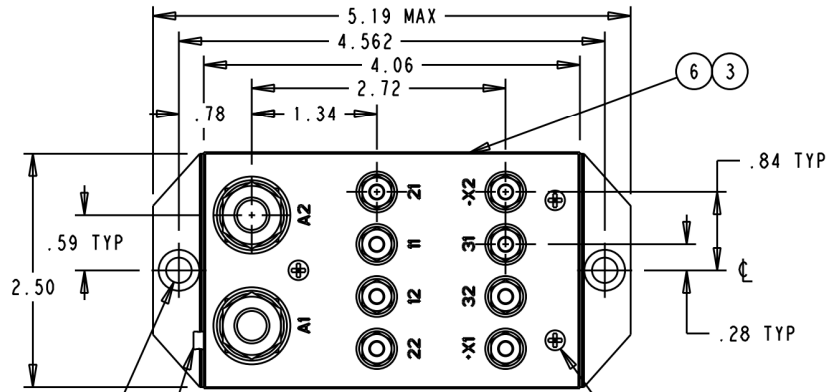


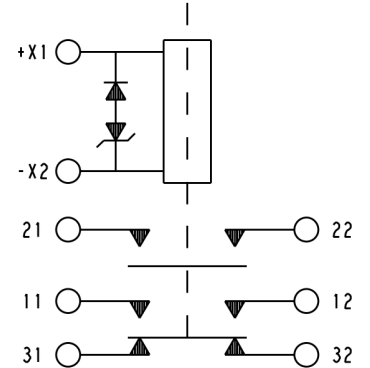
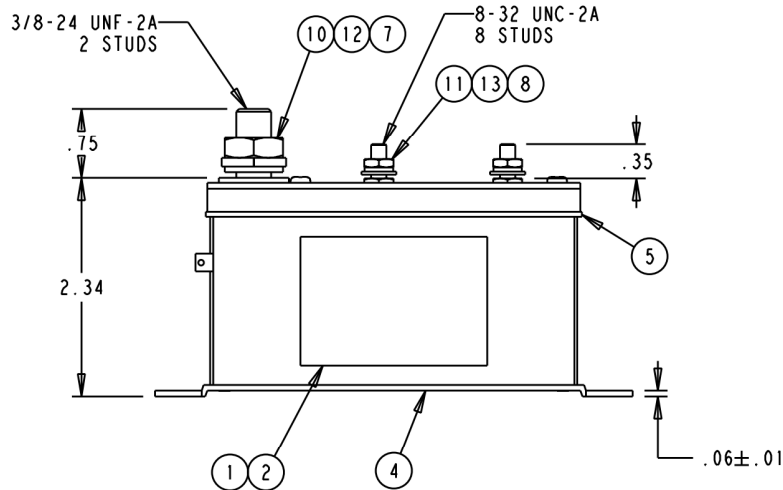
USED ON

DWG NO 4-1616057-4

THIS DRAWING IS A CONTROLLED DOCUMENT



Ø .271±.005 VENT (LOCATION OPTIONAL)
 2 MTG HOLES FOR ELECTRICAL BONDING, FINISH REMOVED FROM BOTH MOUNTING SURFACES, MOUNTING HOLES ARE MASKED Ø .44 MIN



SCHEMATIC DIAGRAM

13	8	51808-064	WASHER LOCK #8 SPLIT			7-1616360-5
12	2	51807-084	LOCKWASHER, 3/8 SPLIT			4-1616360-3
11	8	51712-104	WASHER 3/8 X 11/64 X .032			1-1616359-8
10	2	51704-024	WASHER 5/8 X 25/64 X .062			8-1616358-8
9	3	51200-020	SCREW NO. 4 X .25, SELF TAP			1616342-2
8	8	50408-034	NUT 8-32 X 5/16 X 3/32 HEX			6-1616338-2
7	2	50407-164	NUT 3/8-24 X 5/8 X 7/32 HEX			1616338-9 SST
6	1	44507-001	PLATE WIRING DIAGRAM			9-1616321-1
5	1	44497-001	COVER - PLATE			8-1616321-0
4	1	44490-010	PRIMARY ASSY			7-1616321-3
3	1	39529-026	OVERLAY			2-1616283-1
2	1	39529-001	OVERLAY - NAMEPLATE			1616283-1
1	1	16043-001	PLATE - NAME			3-1616169-5

FIND NO	QTY RECD	PART OR IDENTIFYING NO	NOMENCLATURE OR DESCRIPTION	DRAWING OR SPECIFICATION	FSCM NO	TE PART NO	MATERIAL	HEAT TREAT
							TBD	

CAGE CODE: 74063		DWN	08NOV2018
175 N. SHANON STREET HANDELFIELD, OHIO 44992		CHR	18SEP2002
DIMENSIONS: INCH [mm]		APVD	18SEP2002
TOLERANCES UNLESS OTHERWISE SPECIFIED:		RSS	
0 PLC	±.	TE Connectivity	
1 PLC	±.1		
2 PLC	±.02		
3 PLC	±.005		
4 PLC	±.0005	NAME CONTACTOR - INT DUTY, SPST NO, A-400G-1	
		400 AMP, 28 VDC	

SCALE	SIZE	DRAWING NO	SHEET	OF	REV
NONE	A3	4-1616057-4	1	2	C

THIS INFORMATION IS CONFIDENTIAL AND PROPRIETARY TO TE CONNECTIVITY. IT IS NOT TO BE DISCLOSED TO ANYONE OTHER THAN TE PERSONNEL, WITHOUT AUTHORIZATION FROM TE (www.te.com).

