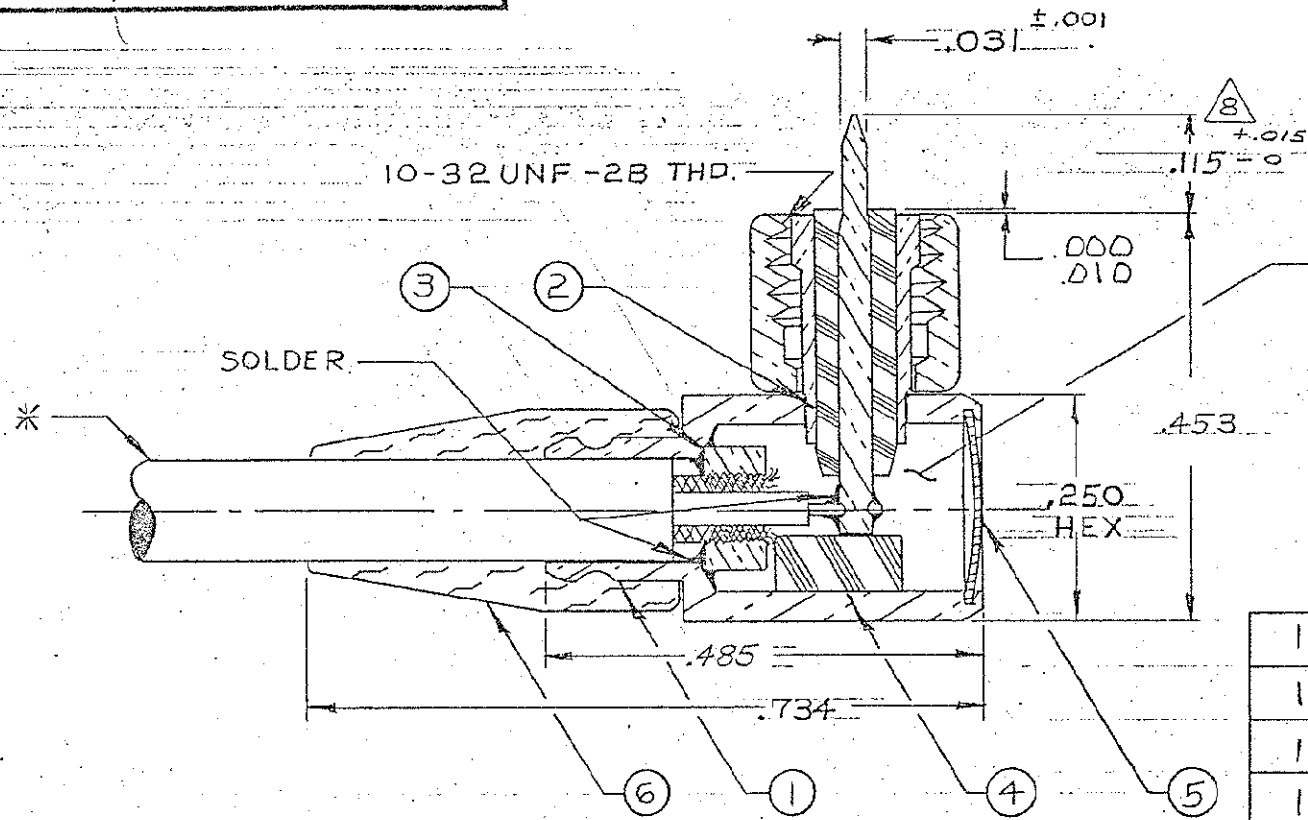


These drawings and specifications are the property of Microdot Inc. and shall not be divulged, reproduced or copied, or used as the basis for the manufacture or sale of any article without written permission of Microdot Inc.

\* CABLE ACCEPTANCE DIMS.

JACKET DIA. - - - - - .112 MAX.  
 SHIELD DIA. - - - - - .075 MAX.  
 CENTER COND. - - - - - .012 NOM.  
 (MICRODOT 250-3912)



BEFORE CAPPING, FILL CAVITY WITH POTTING COMPOUND PER MICRODOT BULLETIN #45.

1	003-0271-0000	B.R. CAP (BLACK)	SILICONE RUBBER, ZZ-R-765		⑥
1	003-0098-0001	SEAL DISC	F.M. BRASS, QQ-B-613	△	⑤
1	003-0331-0001	BACK-UP BUSHING	TEFLON, MIL-M-14077		④
1	003-0039-0001	RING	F.M. BRASS, QQ-B-626	△	③
	003-0050-0001	BUSHING	TEFLON, MIL-M-14077		
	003-0049-0002	PIN CONTACT	COPPER ALLOY	△	
1	003-1363-0001	CONTACT SUB-ASSY.			②
	003-0029-0000	NUT (.230 D. KNURL)	F.M. BRASS, QQ-B-626		
	003-0078-0000	FERRULE	F.M. BRASS, QQ-B-626		
	005-1836-0000	BLOCK	F.M. BRASS, QQ-B-626		
1	005-3719-0001	HOUSING SUB-ASSY.		△	①

- △ .115 DIM. TO BE MEASURED TO HOUSING.
- △ GOLD PLATE PER MIL-G-45204, TYPE II, CLASS I.
- △ SILVER PLATE .0002-.0004 PER QQ-S-365, TYPE II, GRADE A.
- 5. INSULATION RESISTANCE -  $5.0 \times 10^9$  OHMS MIN.
- 4. WORKING VOLTAGE - 750 V.R.M.S.
- 3. ASSY. TOOL # 010-0016-0000 REQ'D.
- 2. FOR ASSY. INSTRUCTIONS SEE BULLETIN #45.
- 1. THIS CONNECTOR MATES WITH ALL RECEPT & JACKS IN SERIES S-50 AS LISTED IN MICRODOT CATALOG.

NOTES: UNLESS OTHERWISE SPECIFIED

QTY. PART No. NOMENCLATURE MAT. & SPEC. FINISH ITEM

ASSEMBLY	NO REQ'D	LET	ECO	REVISION DESCRIPTION	BY	DATE	APP
		J	3/20/65	UPDATE REV. LETTER.	TL	1/3/65	ES
		H	3/20/65	ITEM 6, WAS 003-0041-0000	BD	3/24/65	ES
		G	6/24/65	REV. LETTER UP-DATED	ES	7/1/65	ES
		F	11/25/65	.115 DIM WAS .115 ±.015 ADD .000 .010 NOTE A	ES	11/20/65	W
		E	1/22/66	DIM .485 WAS .328	KM	3/23/66	W
		D	6/7/66	REVISED & REDRAWN	J.N.	7/28/66	ST

STANDARD TOLERANCES UNLESS OTHERWISE SPECIFIED  
 DEC. ± .010  
 FRAC. ± \_\_\_\_\_  
 ANGLES ± \_\_\_\_\_  
 ECCENTRICITY MAX. T.I.R. \_\_\_\_\_  
 HOLE DIA. ± \_\_\_\_\_  
 SURFACE ROUGHNESS \_\_\_\_\_ MICRO INCHES  
 THREADS TO MIL-S-7742 COMMERCIAL TOLERANCES APPLY TO STOCK DIMENSIONS

**MICRODOT INC.**  
 SOUTH PASADENA, CALIF.

SURFACE TREATMENT NOTED

MATERIAL NOTED

APP G.G.  
 APP \_\_\_\_\_  
 CHECKED BY I.K.J.  
 DRAWN BY M.F.M. (J.N.)

PROJ CODE 934  
 SCALE 5X  
 DATE 6-22-60

CODE CDM  
 DRAWING NUMBER 052-0337-0001 J

**ANGLE PLUG**