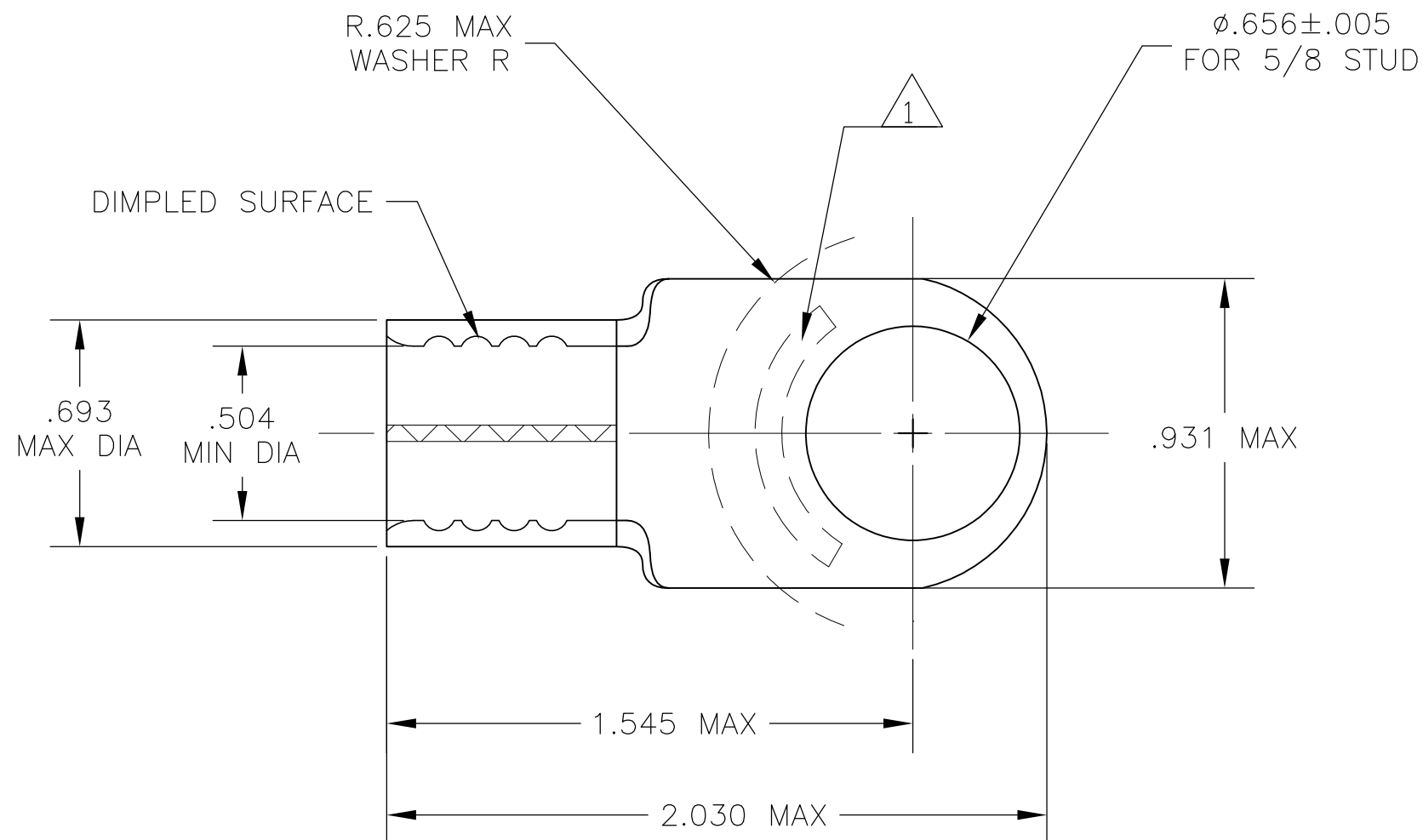


THIS DRAWING IS UNPUBLISHED. RELEASED FOR PUBLICATION
 © COPYRIGHT - BY TYCO ELECTRONICS CORPORATION. ALL RIGHTS RESERVED.

LOC	DIST	REVISIONS			
P	LTR	DESCRIPTION	DATE	DWN	APVD
G	14	H	REV PER ECR 10-000722	22JAN10	JR TM



- 1 STAMP AMP 2/0W* APPROX AS SHOWN
- 2 COPPER PER ASTM B-152, ANNEALED
- 3 TIN PLATE .000100 MIN THK EXT. PER ASTM B-545
- 4 MAX RECOMMENDED OPERATING TEMP IS 170°C.
- 5 WIRE CROSS SECTIONAL AREA RANGE: 60.6-76.3mm [119,500-150,500] CMA SOLID OR STRANDED.
- 6 TONGUE THK IS .080±.003

50	LOOSE PIECE	36926
QTY	PACKAGE TYPE	PART NO

THIS DRAWING IS A CONTROLLED DOCUMENT.		DWN jr_ruth	030CT03	Tyco Electronics Corporation Harrisburg, PA 17105													
DIMENSIONS: INCHES		CHK MJ SPICER	030CT03	NAME													
TOLERANCES UNLESS OTHERWISE SPECIFIED:		APVD MJ SPICER	030CT03	PRODUCT SPEC													
<table border="0"> <tr><td>0 PLC</td><td>± -</td></tr> <tr><td>1 PLC</td><td>± -</td></tr> <tr><td>2 PLC</td><td>± -</td></tr> <tr><td>3 PLC</td><td>± .008</td></tr> <tr><td>4 PLC</td><td>± -</td></tr> <tr><td>ANGLES</td><td>± 5°</td></tr> </table>		0 PLC	± -	1 PLC	± -	2 PLC	± -	3 PLC	± .008	4 PLC	± -	ANGLES	± 5°	APPLICATION SPEC		TERMINAL, SOLISTRAND, RING TONGUE, WIRE SIZE :2/0	
0 PLC	± -																
1 PLC	± -																
2 PLC	± -																
3 PLC	± .008																
4 PLC	± -																
ANGLES	± 5°																
MATERIAL		WEIGHT		SIZE	RESTRICTED TO												
- 2		-		A3 00779	-												
FINISH		CUSTOMER DRAWING		DRAWING NO	REV												
- 3		SCALE 2:1		C-36926	H												
			SHEET 1 OF 1														